

# Oven, 60cm, 16 Function Self-cleaning

Series 7 | Minimal

Black Glass



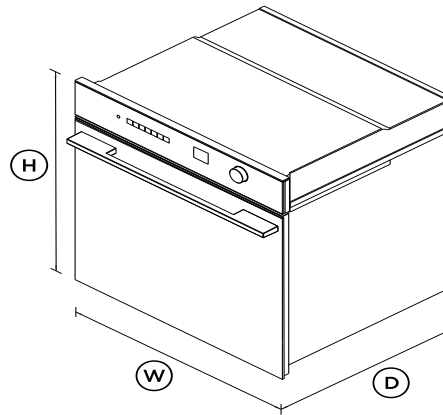
With refined Minimal styling and generous capacity, this built-in oven helps to ensure that every dish you create is cooked to perfection.

- 16 oven functions including Pastry Bake, Roast, Dehydrate and Rapid Proof
- Even heat circulation with AeroTech™, ideal for multi-shelf cooking
- Pyrolytic self-cleaning function breaks down food residue for an easy clean

- Designed to match our Minimal style family of cooking appliances

## DIMENSIONS

Height	598mm
Width	596mm
Depth	565mm



## FEATURES & BENEFITS

### Multi-Function Flexibility

Each function has been perfected to ensure that no matter what you're cooking, you've got the right heat to match. This built-in oven has 16 functions including Pastry Bake, Roast, Aero Broil, Dehydrate and Rapid Proof, allowing you to use a variety of cooking styles.

### Generous capacity

With a generous 85L total capacity, you can create several perfectly cooked dishes at once using multiple shelves.

### Cook with confidence

The 2.4" screen provides an intuitive guided cooking experience that helps to deliver perfect results, whether you've been cooking all your life or are just starting out. Cook by food type and allow your oven to guide you through the steps, or change temperature and heat type automatically, depending on your selection.

### Exceptional performance

Our unique cooking technologies were developed to deliver perfect results. ActiveVent ensures optimized moisture levels, while AeroTech™ circulates heat evenly for a consistent temperature.

### Self-cleaning

Pyrolytic self-clean breaks down food residue at a very high temperature, leaving a light ash that's easily removed with a damp cloth. The enamel coated side racks don't need to be removed when using this function.

### Complementary Design

Designed to blend seamlessly into the kitchen, this Minimal style oven features subtle textural and tonal contrasts. Available in a black or grey finish to support a considered kitchen design.

### Safe and sound

The CoolTouch door features triple glazing and a cooling system that ensures it's safe to touch from the outside – protecting both your hands and the surrounding cabinetry.

## SPECIFICATIONS

### Accessories

Flat brushed baking tray	1
Full extension sliding shelves	1 set

Grill rack	1 set	Halogen lights	•	AeroTech™ technology	•
Pyrolytic proof shelf runners	•	Intuitive touchscreen display	•	Automatic rapid pre-heat	•
Roasting dish	1	Multi-language display	UK English, US English,	Grill power	3000W
Step down wire shelf	1	Soft close doors	•	Temperature range	35°C - 280°C
Wired temperature sensor	1	True convection oven	•	Whisper quiet cooking	•
<hr/>		Turned stainless steel dials	•	<hr/>	
<b>Capacity</b>		Wi-Fi connectivity	•	<b>Power requirements</b>	
Shelf positions	6	Wireless temperature sensor	•	Amperage	15A
Total capacity	85L	<hr/>		Rated current	15A
Usable capacity	72L	<b>Functions</b>		Supply frequency	50Hz
<hr/>		Air fry	•	Supply voltage	220-240V
<b>Cleaning</b>		Bake	•	<hr/>	
Acid resistant graphite enamel	•	Classic bake	•	<b>Product dimensions</b>	
Pyrolytic self-clean	•	Dehydrate	•	Depth	565mm
Removable oven door	•	Fan bake	•	Height	598mm
Removable oven door inner	•	Fan forced	•	Width	596mm
Removable shelf runners	•	Fan grill	•	<hr/>	
<hr/>		Grill	•	<b>Safety</b>	
<b>Controls</b>		Number of functions	16	Balanced oven door	•
Adjustable audio and display	•	Pastry Bake	•	Catalytic venting system	•
Audio feedback	•	Pizza bake	•	Control panel key lock	•
Automatic cooking/minute	•	Pyrolytic self-clean	•	Non-tip shelves	•
Automatic pre-set	•	Rapid proof	•	Safety thermostat	•
Celsius/Fahrenheit	•	Roast	•	<hr/>	
Certified Sabbath mode	•	Slow cook	•	<b>Warranty</b>	
Delay start	•	Vent bake	•	Parts and labour	2 years
Electronic clock	•	Warm	•	<hr/>	
Electronic oven control	•	<hr/>		SKU	82543
Food probe	•	<b>Performance</b>		<hr/>	
Guided cooking by food types	•	ActiveVent™ system	•	<hr/>	

The product dimensions and specifications in this page apply to the specific product and model. Under our policy of continuous improvement, these dimensions and specifications may change at any time. You should therefore check with Fisher & Paykel's Customer Care Centre to ensure this page correctly describes the model currently available. Fisher & Paykel Appliances Ltd 2020

**Where applicable:**

All appliances use energy, and energy usage typically generates carbon emissions. **Fisher & Paykel Appliances' In-use Energy Carbon Emissions Estimate** indicates carbon emissions from a product's in-use energy. This is calculated either annually or per cycle, using the product's market-specific energy label energy consumption data multiplied by the carbon emissions factor for energy in your country or region.

Our In-use Energy Carbon Emissions Estimate is designed to assist customers in making informed purchasing decisions when comparing different Fisher & Paykel products. For example, a heat pump dryer typically has a lower In-use Energy Carbon Emissions Estimate than a vented dryer.

---

**Other product downloads available at fisherpaykel.com**[Service & Warranty](#)[User Guide Oven](#)[Installation Guide Wall Oven](#)[Datasheet Oven](#)[Preliminary Specification Guide Wall Oven](#)**A PEACE OF MIND SALE****24 Hours 7 Days a Week Customer Support****T 0800 372 273 W [www.fisherpaykel.com](http://www.fisherpaykel.com)**