

Wine Cabinet, 59.5cm, 38 bottles

Series 7 | Contemporary

Stainless Steel

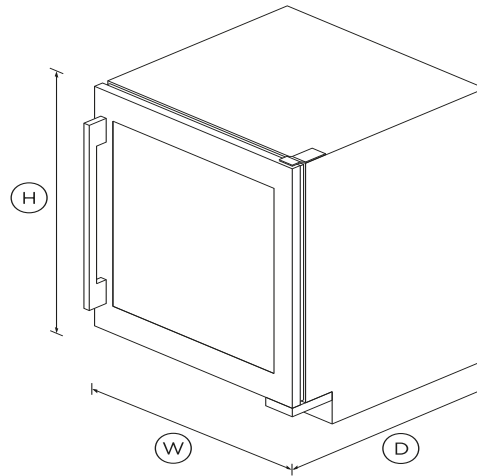


Designed to match our family of products, our wine cabinet provides a stable temperature and humidity for any varietal.

- 38 bottle capacity
- With dual temperature zones, to ensure you can perfectly store wines of all varieties
- Brushed metal handle

DIMENSIONS

Height	830 mm
Width	595 mm
Depth	580 mm



SPECIFICATIONS

Capacity	
Litres	115L
Number of bottles	38 bottles
Total capacity	115L

Features

Door alarm	•
Fixed shelves	2

LED lighting	•
Low vibration compressor	•
Power on/off control	•
UV tempered glass door	•

Performance

Door lock	•
Dual Zone	•
Fixed shelves	2
LED lighting	•
Power on/off control	•
Temperature selectable 5-20°C	•
Touch sensitive control panel	•
UV tempered glass door	•

Product dimensions

Depth	580 mm
Height	830 mm
Width	595 mm

Warranty

Parts and labour	2 years
Sealed system parts only	additional 3 years

SKU	24940
-----	-------

The product dimensions and specifications in this page apply to the specific product and model. Under our policy of continuous improvement, these dimensions and specifications may change at any time. You should therefore check with Fisher &

Paykel's Customer Care Centre to ensure this page correctly describes the model currently available. Â© Fisher & Paykel Appliances Ltd 2019.

Other product downloads available at fisherpaykel.com



User Guide



Service & Warranty Booklet



Installation Guide



Resources (zip)



A PEACE OF MIND SALE

24 Hours 7 Days a Week Customer Support

T 1300 650 590 W www.fisherpaykel.com