

# Freestanding Refrigerator Freezer, 79cm, 494L, Ice & Water

Series 5 | Contemporary

Stainless Steel | Right Hinge



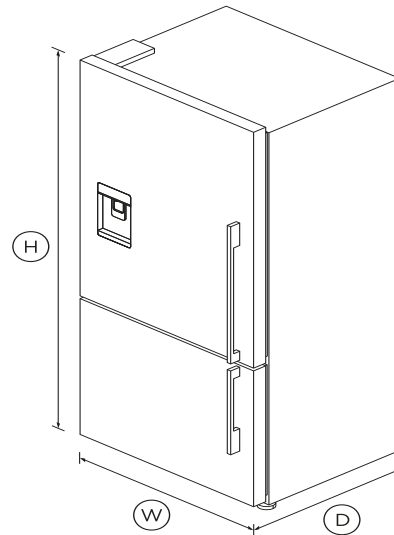
Large capacity in stylish stainless steel, you'll have plenty of room for your chilled and frozen food.

- ActiveSmart™ technology helps keep food fresher for longer by constantly maintaining the ideal temperature.
- Door water dispenser and internal ice maker
- Spacious bottom freezer with full extension drawer gives easy access to frozen goods.

- Choose which side you'd like your door hinge on to suit your kitchen layout

## DIMENSIONS

Height	1715mm
Width	790mm
Depth	695mm



## FEATURES & BENEFITS

### ACTIVESMART™ FOODCARE

Every time you open your refrigerator, the temperature around your food changes. ActiveSmart™ foodcare adjusts airflow to create a stable temperature, helping your food stay fresher for longer.

### WATER ON TAP

The slimline dispenser makes it easy to fill almost any sized jug or vessel with cool filtered water and doesn't take up any storage space in your fridge.

### ICE MAKER

Fresh ice is always available for you in a dedicated freezer bin. Simply turn it off to free up freezer space or during busy times, you can boost ice production by up to 30%.

### DESIGN QUALITY

Our fridges are designed and built using quality materials. We use real stainless steel on our fridges and solid glass for shelving as well as in our wine cabinet doors.

### EASY CLEANING

No more permanent dirty marks with our EZKleen feature for stainless steel fridges. Anti-fingerprint coating means you simply wipe clean any marks. Spill-safe secure glass shelves easily capture any drips or leaks.

### SIMPLE STORAGE

This fridge is designed to make it simple for you to store, access and remove food. Storage bins give you full access inside when they're pulled open and can be easily removed to clean. Our flexible shelving also gives you more storage options.

### CLEVER ENERGY

Your fridge adapts to daily use by cooling and defrosting only when needed. This means your fridge uses the energy it needs without compromising on food care.

## SPECIFICATIONS

### Accessories

Joiner kit	819264
Matching Replacement Water	Models 24xxx = part no.
Surround Kit (Joined left/right)	Part number 23988
Surround Kit (Left Hand)	23986
Surround Kit (Right Hand)	23987

**Capacity**

Total net volume	<b>494L</b>
Volume freezer	<b>146L</b>
Volume refrigerator	<b>348L</b>

**Consumption**

Energy consumption	<b>369kWh/year</b>
Energy rating	<b>F</b>

**Features**

Adjustable door shelves	<b>4</b>
Adjustable glass shelves	<b>4</b>
Covered door shelves	<b>2</b>
Door alarm	•
Front levelling feet	•
Fruit and vegetable bins	<b>2</b>
Full extension runners	•
Full width door shelves	<b>2</b>
LED lighting	•
Rear rollers	•
Single bottle holders	<b>4</b>
SmartTouch control panel	•
Stackable bottle holders	<b>4</b>
Ultra slim water dispenser	•

**Freezer Features**

Automatic ice maker	•
Bottle chill	•
Door alarm	•

Fast freeze	•
Ice Boost	•
Ice bin and scoop	•
Large plastic bins	•

**Performance**

ActiveSmart™ Foodcare	•
Adaptive defrost	•
Frost free	•
Frost free freezer	•
Humidity control system	•
Noise emissions	<b>42dBA</b>
Noise emissions class	<b>D</b>
Sabbath mode	•

**Product dimensions**

Depth	<b>695mm</b>
Height	<b>1715mm</b>
Width	<b>790mm</b>

**Warranty**

Parts and labour	<b>5 years</b>
Sealed system parts only	<b>5 years</b>

SKU	26461
-----	-------

Paykel's Customer Care Centre to ensure this page correctly describes the model currently available. ? Fisher & Paykel Appliances Ltd 2020

The product dimensions and specifications in this page apply to the specific product and model. Under our policy of continuous improvement, these dimensions and specifications may change at any time. You should therefore check with Fisher &

---

Other product downloads available at [fisherpaykel.com](https://fisherpaykel.com)



Service & Warranty



User & Installation Guide ActiveSmart Refrigerator



User Guide



Install Guide - Water Filter Replacement



Installation Guide



Data Sheet Freestanding Refrigerator Freezer



**A PEACE OF MIND SALE**

24 Hours 7 Days a Week Customer Support

T 08000 886 605 [Wwww.fisherpaykel.com](https://www.fisherpaykel.com)