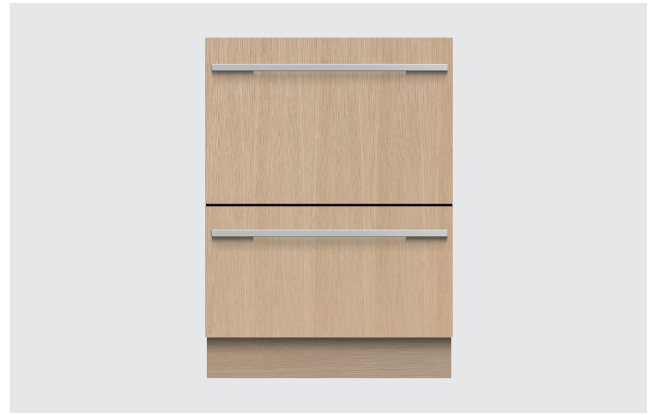


FISHER & PAYKEL

SPECIFICATION GUIDE

INTEGRATED DOUBLE DISHDRAWER, SANITISE SERIES 9, INTEGRATED STYLE



OVERVIEW

Integrating into your kitchen design seamlessly, each drawer fits a half load that you can load and wash independently.

MODELS

Integrated Double DishDrawer™ Dishwasher, Sanitise

Panel Ready
DD60DI9

Integrated Double DishDrawer™ Dishwasher, Sanitise

Panel Ready
DD60DHI9

SERIES & STYLE

Series 9
Intergrated Style

FEATURES

- ① Six wash programs, from delicate to heavy to suit any load
- ② Quick, Sanitise and Extra Dry provide extra wash options
- ③ Customise with your own front panel and handle to match your kitchen cabinetry, or choose our stainless steel accessory panels
- ④ Each drawer fits a half load that you can load and wash independently
- ⑤ Knock to pause function is perfect if you miss a dish
- ⑥ Flexible racking can be folded down to fit bigger dishes

ACCESSORIES

- ① Optional contemporary square handle kit
- ② Optional contemporary round handle kit
- ③ Optional stainless steel door kit
- ④ Kickstrip
- ⑤ Two cutlery basket
- ⑥ Knife clip and multipurpose clip

FISHER & PAYKEL

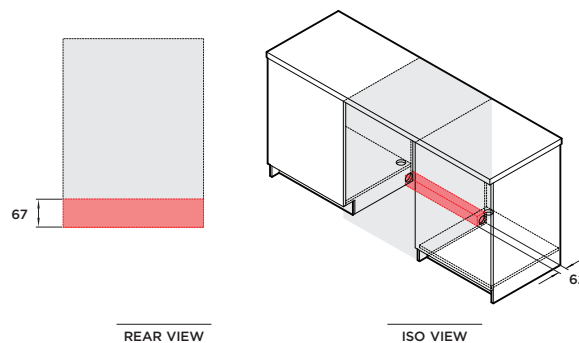
SPECIFICATION GUIDE

INTEGRATED DOUBLE DISHDRAWER, SANITISE SERIES 9, INTEGRATED STYLE

SPECIFICATIONS

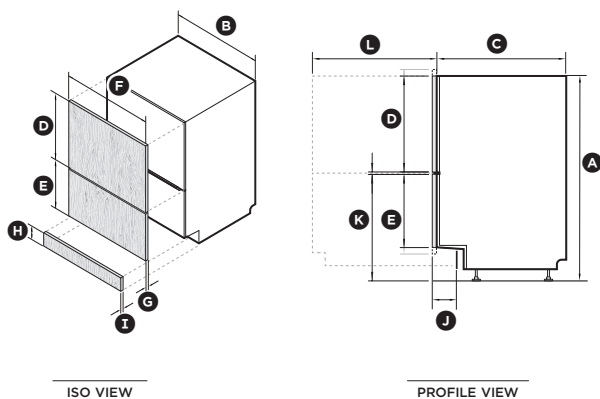
Model No.	DD60DI9, DD60DHI9
Dimensions	H 820 - 880mm x W 599mm x D 553mm
Weight	51kg
Electrical	
Supply	220-240V, 50Hz
Service	8.2A
Receptacle	3 pin earthing-type
Plumbing	
Supply	3/4" BSP (GB20) to suit flat washer
Pressure	Water softener models: max. 1 MPa (145 psi), min. 0.1 MPa (14.5 psi) Non-water softener models: max. 1 MPa (145 psi), min. 0.03 MPa (4.3 psi)

PLUMBING AND ELECTRICAL

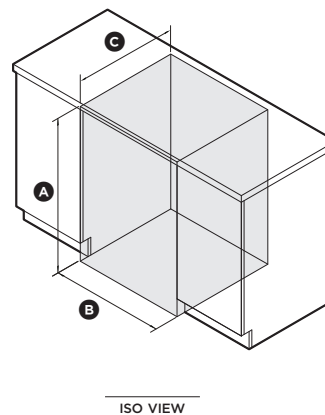


Service outlet at rear extends both sides, hoses and cords can be routed to either or both sides

PRODUCT DIMENSIONS



CAVITY DIMENSIONS: STANDARD INSTALLATION



	mm
(A) Overall height*	820 - 880
(B) Width of chassis	599
(C) Depth of chassis**	553
(D) Minimum height of custom upper front panel***	398
(E) Height of custom lower front panel***	311 - 360
(F) Width of custom front panels	596 - 615
(G) Depth of custom front panels	16 - 20
(H) Height of custom toe kick panel*	58 - 118
(I) Depth of custom toe kick panel	9
(J) Depth of toe kick recess	40 - 100
(K) Height from floor to top of bottom drawer panel*	414 - 474
(L) Depth of open drawer	527

	mm
(A) Overall height*	min 820
(B) Overall width	600
(C) Minimum overall depth of cavity**	576

*Depending on adjustment of levelling feet

**Assumes a door panel thickness of 19mm

*Includes adjustable mounted feet and the range of movement.

**Does not include the custom drawer panels, handles or toekick panel to be manufactured and fitted by cabinetmaker.

***The top drawer panel may be extended up, or the bottom panel down from the fixed gap between both. Adjust the height of the toekick panel accordingly.