

# FISHER & PAYKEL

## PRELIMINARY SPECIFICATION GUIDE

## INTEGRATED INSERT RANGEHOOD WITH EXTERNAL MOTOR



### OVERVIEW

High-quality, integrated insert rangehoods seamlessly blend with cabinetry and can be installed in a variety of kitchen layouts. Quiet and efficient, the powerful external motor is installed outside the home to ensure near-silent extraction inside the kitchen, without compromising on performance. Enjoy seamless operation with Wi-Fi enabled remote control and Bluetooth Hood to Hob connectivity.

### MODELS

Integrated Rangehood, 60cm  
with External Motor, HP60IDCHEX4

Integrated Rangehood, 90cm,  
with External Motor HP90IDCHEX4

### SERIES & STYLE

Series 7  
Contemporary Style

### ACCESSORIES

- ① Aluminium Filter 792942 for HP60IDCHX4
- ② Aluminium Filter 792943 for HP90IDCHX4
- ③ Extra Ducting Length 792961  
Ø200mm, 6m length

### FEATURES

- ① Seamlessly integrated
- ② Wi-Fi enabled for remote control and notifications through the SmartHQ™ app and Bluetooth Hood to Hob connectivity
- ③ External silent motor for quiet and effective extraction of odours and steam
- ④ Powerful 1200m<sup>3</sup>/hr maximum airflow
- ⑤ Energy-efficient LED lighting creates a warm (or cold), even glow
- ⑥ Sleek black glass finish with real stainless steel frame
- ⑦ Three fan speeds plus a boost function
- ⑧ Intuitive LED-illuminated soft touch buttons
- ⑨ Automatic alert works as a reminder to clean filters for optimal performance
- ⑩ Removable, easy-to-clean filters that effectively trap grease

### EXTERNAL BLOWER & MOUNTING KIT

#### External blower & mounting kit

- Backdraft damper assembly
- Roof penetration pipe - 150mm internal diameter PVC
- Duct adapter 150 - 200mm
- Ø200mm Flexible ducting - 6m length

# FISHER & PAYKEL

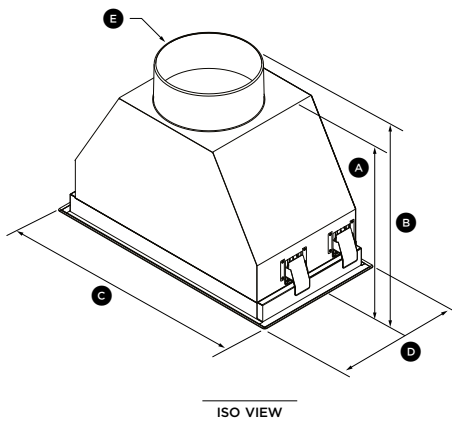
## PRELIMINARY SPECIFICATION GUIDE

## INTEGRATED INSERT RANGEHOOD, 60CM WITH EXTERNAL MOTOR

### SPECIFICATIONS

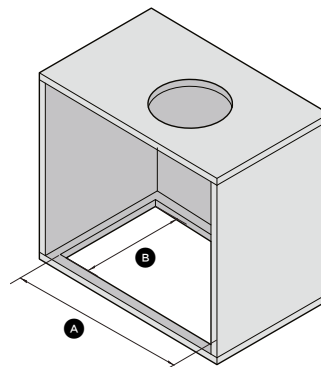
<b>Model No.</b>	HP60IDCHEX4
<b>Dimensions</b>	<b>H</b> 316mm x <b>W</b> 530mm x <b>D</b> 280mm
<b>Diameter of vent connection</b>	200mm
<b>Weight</b>	6.4kg
<b>Install option</b>	Only roof mount external motor, external duct
<b>Minimum distance above cooktops</b>	Consult the cooktop installation guide for details of the required installation height of the rangehood.
<b>Electrical</b>	
Supply	230 V, 50 Hz
Outlet	3 pin plug
<b>Light source</b>	
Type	Bi colour LED strip
Temperature	4000K

### PRODUCT DIMENSIONS



		mm
(A)	Overall height of rangehood without ducting adapter	316
(B)	Overall height of rangehood with ducting adapter	398
(C)	Overall width of rangehood	530
(D)	Overall depth of rangehood	280
(E)	Diameter of ducting outlet	200

### CAVITY DIMENSIONS: STANDARD INSTALLATION



		mm
(A)	Overall width of the cutout	500
(B)	Overall depth of the cutout	260

# FISHER & PAYKEL

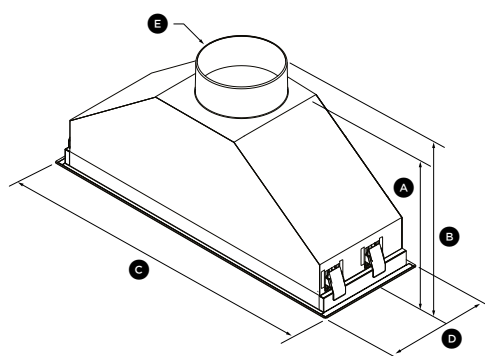
## PRELIMINARY SPECIFICATION GUIDE

## INTEGRATED INSERT RANGEHOOD, 90CM WITH EXTERNAL MOTOR

### SPECIFICATIONS

Model No.	HP90IDCHEX4
Dimensions	H 316mm x W 830mm x D 280mm
Diameter of vent connection	200mm
Weight	8.4kg
Install option	Only roof mount external motor, external duct
Minimum distance above cooktops	Consult the cooktop installation guide for details of the required installation height of the rangehood
<b>Electrical</b>	
Supply	230 V, 50 Hz
outlet	3 pin plug
<b>Light source</b>	
Type	Bi colour LED strip
Temperature	4000K

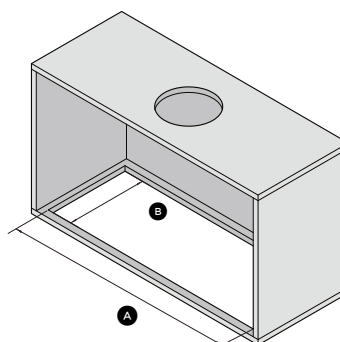
### PRODUCT DIMENSIONS



ISO VIEW

		mm
(A)	Overall height of rangehood without ducting adapter	316
(B)	Overall height of rangehood with ducting adapter	398
(C)	Overall width of rangehood	830
(D)	Overall depth of rangehood	280
(E)	Diameter of ducting outlet	200

### CAVITY DIMENSIONS: STANDARD INSTALLATION



		mm
(A)	Overall width of the cutout	800
(B)	Overall depth of the cutout	260

# FISHER & PAYKEL

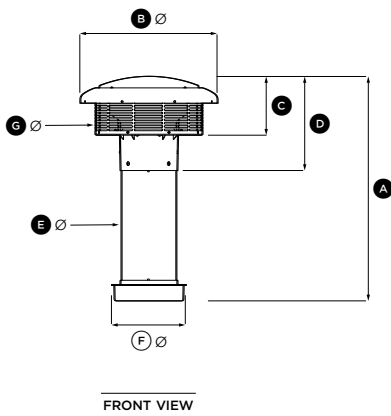
## PRELIMINARY SPECIFICATION GUIDE

## SILENT EXTERNAL MOTOR

### SPECIFICATIONS

<b>Model No.</b>	HB1200E for use with HP60IDCHEX4 and HP90IDCHEX4 model rangehoods
<b>Dimensions</b>	H 755mm x Ø 400mm
<b>Diameter of vent connection</b>	200mm
<b>Weight</b>	5.3kg
<b>Install option</b>	Only with compatible rangehood. Roof mount external motor, external duct
<b>Distance from rangehood</b>	4 - 6m
<b>Electrical</b>	
<b>Supply</b>	230 V, 50 Hz
<b>Outlet</b>	3 pin plug
<b>Length of power cord</b>	6000mm

### PRODUCT DIMENSIONS



### INSTALLATION REQUIREMENTS

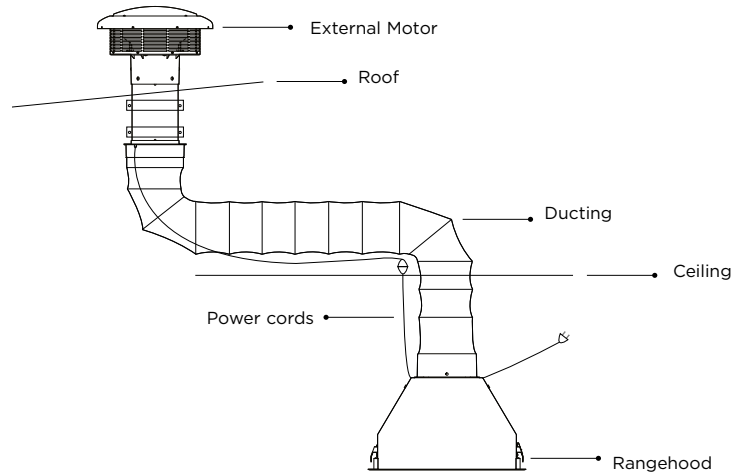


Illustration not to scale

		mm
(A)	Overall height	755
(B)	Overall diameter	400
(C)	Height of the blower unit	174
(D)	Height of the external blower and backdraft damper	275
	Outer diameter of roof pipe	160
(E)	Diameter of ducting outlet	200
(F)	Diameter of grill	315

Mount the blower with 4-6m of ducting.

Mount the blower with 4-6m from the rangehood.

Use only the supplied Fisher & Paykel flexible ducting. If additional ducting is required this can be purchased from Fisher & Paykel.

Should have at least 2 bends for best performance.