

# FISHER & PAYKEL

## DATA SHEET Insert Range Hood, 24"

### Model nos:

HP24IDCHX4

(refer page 2 for metrical measurements)

### Product Dimensions

	in
Ⓐ Overall height of range hood without ducting adaptor	12 7/16"
Ⓑ Overall height of range hood with ducting adaptor	15 11/16"
Ⓒ Overall width of range hood	20 7/8"
Ⓓ Overall depth of range hood (excl. cabinetry front panel)	11"
Ⓔ Diameter of ducting adaptor	6"
Ⓕ Width of range hood chassis	19 3/8"
Ⓖ Depth of range hood chassis	10 3/16"
Ⓗ Thickness of flange	1/16"
Ⓘ Distance from ducting outlet center to rear of chassis	3 1/4"
Ⓚ Height adjustability of clip that secures cooker hood (cabinet base panel thickness)	min 9/16" max 1 9/16"
Ⓛ Distance from rear to center of light	9 15/16"
Ⓜ Distance from back of chassis to hard wiring box	8 9/16"
Ⓝ Distance from center of product to hard wiring box	3 1/4"

### Cavity Dimensions Standard Installation

	in
Width of cutout	19 11/16"
Depth of cutout	10 1/4"

### Minimum distance above cooktops

	in
Minimum height from top of cooktop to base of product	24"

Minimum height may be greater if required by your cooktop. Refer to cooktop installation guide for details.

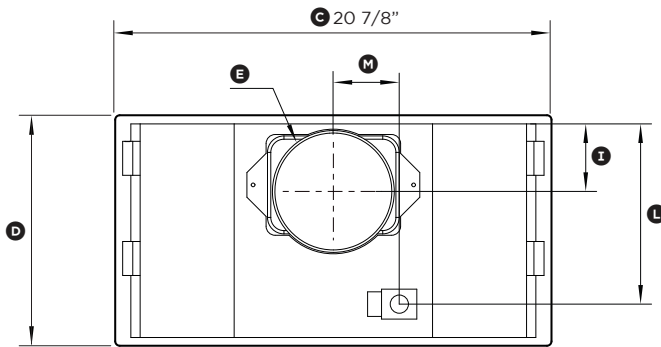
Note: We recommend the cabinet has a door or service panel that can be easily opened to access the power connection.

INDICATES CUTOUT -----  
INDICATES PRODUCT DATUM -----  
INDICATES CABINETS CLEARANCES -----

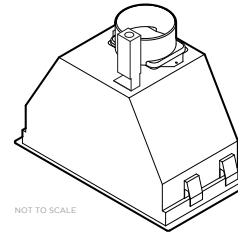
DATE: 23.08.2023

90003053A

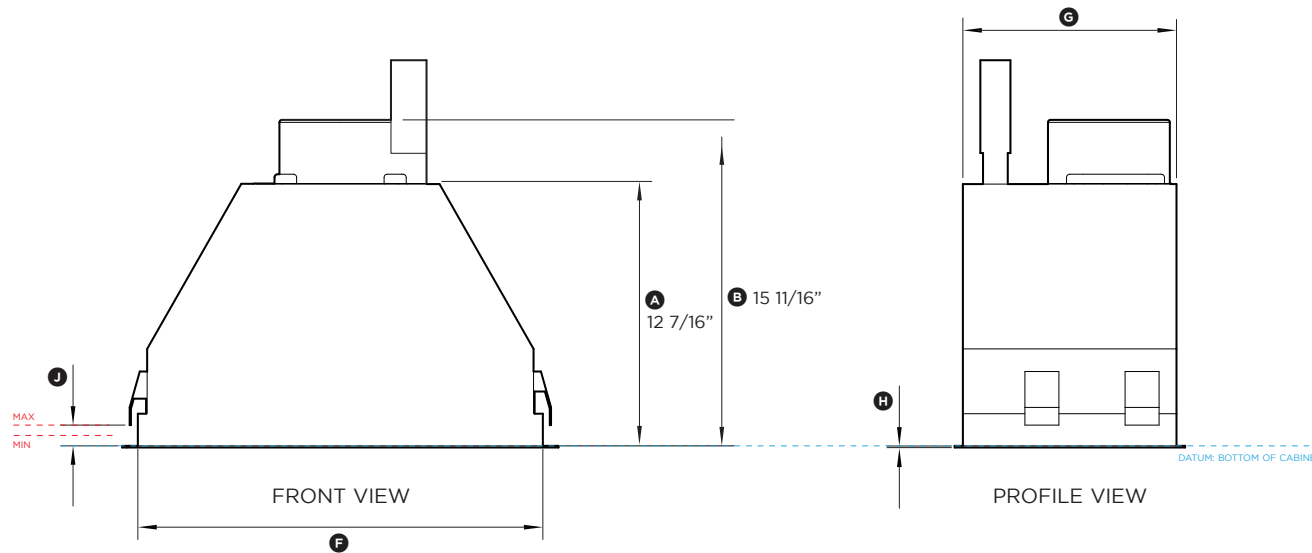
IMPORTANT NOTE: Throughout this guide, dimensions may vary by ±2mm (1/16"). Please read the installation guide for detailed information on installing the product. For full installation instructions & specifications visit [fisherpaykel.com](http://fisherpaykel.com)



PLAN VIEW

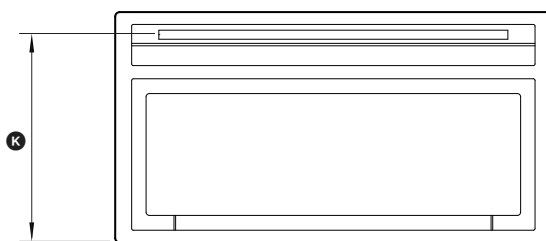


NOT TO SCALE



FRONT VIEW

PROFILE VIEW



BOTTOM VIEW



# FISHER & PAYKEL

## DATA SHEET Insert Range Hood, 24"

### Model nos:

HP24IDCHX4

(refer page 1 for imperial measurements)

### Product Dimensions

	mm
Ⓐ Overall height of range hood without ducting adaptor	316
Ⓑ Overall height of range hood with ducting adaptor	398
Ⓒ Overall width of range hood	530
Ⓓ Overall depth of rangehood (excl. cabinetry front panel)	280
Ⓔ Diameter of ducting adaptor	150
Ⓕ Width of range hood chassis	492
Ⓖ Depth of range hood chassis	258
Ⓗ Thickness of flange	2
Ⓘ Distance from ducting outlet center to rear of chassis	82
Ⓚ Height adjustability of clip that secures cooker hood (cabinet base panel thickness)	min 15 max 40
Ⓛ Distance from rear to center of light	253
Ⓜ Distance from back of chassis to hard wiring box	217
Ⓝ Distance from center of product to hard wiring box	82

### Cavity Dimensions Standard Installation

	mm
Width of cutout	500
Depth of cutout	260

### Minimum distance above cooktops

	mm
Minimum height from top of cooktop to base of product	610

Minimum height may be greater if required by your cooktop. Refer to cooktop installation guide for details.

Note: We recommend the cabinet has a door or service panel that can be easily opened to access the power connection.

INDICATES CUTOUT -----  
INDICATES PRODUCT DATUM -----  
INDICATES CABINERY CLEARANCES -----

DATE: 23.08.2023

90003053A

IMPORTANT NOTE: Throughout this guide, dimensions may vary by ±2mm (1/16"). Please read the installation guide for detailed information on installing the product. For full installation instructions & specifications visit [fisherpaykel.com](http://fisherpaykel.com)

