

Dual Fuel Range, 48", 5 Burners with Griddle, Self-cleaning, LPG

Series 9 | Professional

Stainless Steel | LPG



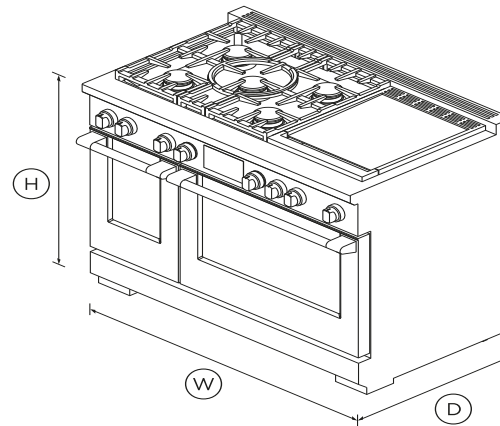
With intuitive touchscreen and specialized cooking functions across two ovens, this range is a stand-out addition to your kitchen.

- Guided cooking using your touchscreen makes it simple to cook by food, function or recipe.
- Gas cooktop with a griddle and five burners that deliver up to 19,000 BTU for fast boiling
- 6.9 cu ft total oven capacity across two oven cavities

- Beautiful LED halo-illuminated dials provide information at a glance

DIMENSIONS

Height	35 3/4 - 36 3/4"
Width	47 7/8"
Depth	29 1/8"



FEATURES & BENEFITS

COOK WITH CONFIDENCE

Our touchscreen interface provides an intuitive guided cooking experience that helps deliver perfect results, whether you've been cooking all your life or just starting out. Cook with a favorite method, a hero ingredient, or a go-to cooking function or recipe. The screen tilts for improved ergonomics and optimal

visibility while cooking.

GENEROUS CAPACITY

Two independently operating cavities provide a large total capacity of 4.8 cu. ft. in the main cavity and 2.1 cu. ft. in the secondary. That's enough room for a 32 lb turkey in one oven, and your sides in the other.

COOKING FLEXIBILITY

No matter what you're cooking, you've got the right heat to get perfect results. Each of the 15 oven functions in the main cavity and 11 in the secondary have been extensively researched and carefully designed to cater to a broad range of dishes and cooking styles. The handy food probe helps you monitor your progress.

COOKTOP POWER

Sealed dual flow burners deliver cooktop power up to 19,000 BTU for seriously fast boiling, and precise 140°F full surface, low temperature cooking with the gentlest of flames.

Design quality

This range has craftsmanship in every detail, with real stainless steel, cast-iron grates, and beautifully weighted, halo illuminated dials. Each cavity features incandescent lights and full extension telescopic racks. From the robust legs to the powerful cooktop, this Range is built to last.

EASY TO CLEAN

The oven features a self-cleaning function and self-clean proof side racks, which don't need to be removed when using this function.

SPECIFICATIONS

Accessories

- Adjustable feet covers
- Branded coin end cap

Accessories (sold separately)

Square handle option **AH-R48**

Burner ratings

Maximum burner power **19000 BTU**
 Power back left **11500BTU**
 Power back right **11500BTU**
 Power centre **19000BTU**
 Power front left **15000BTU**
 Power front right **15000BTU**
 Power griddle **24000BTU**
 Total cooktop power **96000 BTU**

Capacity

Shelf positions (main oven) **5**
 Shelf positions (second oven) **5**
 Total capacity (main oven) **4.8cu ft**
 Total capacity second oven **2.1cu ft**
 Usable capacity (main oven) **3.8cu ft**

Cleaning

Easy clean porcelain basepan •
 Pyrolytic self-clean •

Controls

Dial with illuminated halo •
 Dual control oven dials •
 Electric circuit **4 wire**
 High resolution display •
 Metal illuminated dials •

Multi-language interface •
 Precise cooking with food •
 Recipe and food based •
 Sabbath mode •
 Tilting touch screen interface •
 Wi-Fi connectivity •

Gas Requirements

Fitting and pipe **½ NPT, min. ¾" flex line**
 Supply Pressure (LPG) **11" to 14" W.C**

Oven features

Auto re-ignition system •
 Concealed element •
 Electronic oven control •
 Full extension telescopic •
 Internal light •
 Titanium coated, illuminated •

Oven functions

Air fry •
 Bake •
 Classic bake •
 Clean •
 Convection Broil •
 Convection bake •
 Dehydrate •
 Maxi Broil •
 Number of functions **15**
 Pastry bake •

Pizza bake •
 Rapid proof •
 Roast •
 Slow cook •
 True convection •
 Warm •

Oven performance

Bake power **4600**
 Broil **3600W**
 Main oven - True convection **2500W**

Power requirements

Amperage **50A**
 Rated current **50A**
 Supply frequency **60Hz**

Product dimensions

Depth **29 1/8"**
 Height **35 3/4 - 36 3/4"**
 Width **47 7/8"**

Rangetop features

Sealed range top •
 Vent trim included •

Recommended Back Guards Ventilation

Combustible situation **BGRV3-3048H**
 Non combustible situation **BGRV2-3048 / BGRV2-1248**
 Recommended hood **HCB48-12_N (48"**

and model. Under our policy of continuous improvement, these dimensions and specifications may change at any time. You should therefore check with Fisher & Paykel's Customer Care Centre to ensure this page correctly describes the model currently available. © Fisher & Paykel Appliances Ltd 2020

Safety

- ADA compliant

Secondary oven features

- 3/4 Extension racks **2**
- Concealed element
- Electronic oven control
- Food probe
- Internal light

Secondary oven functions

- Air fry
- Bake
- Classic bake
- Convection bake
- Convection broil
- Maxi broil
- Number of secondary oven **11**
- Pastry bake
- Pizza bake
- Rapid proof
- Roast
- Warm

SKU **81895**

Other product downloads available at fisherpaykel.com

- ↓ [User Guide EN](#)
- ↓ [Service & Warranty](#)
- ↓ [Installation Guide EN](#)
- ↓ [Guide d'installation FR](#)
- ↓ [Specification Guide Dual Fuel Range](#)
- ↓ [Data Sheet Dual Fuel Range](#)
- ↓ [Planning Guide Dual Fuel Range](#)
- ↓ [Planning Guide Professional Style Dial/Handle Accessories](#)



A PEACE OF MIND SALE

24 Hours 7 Days a Week Customer Support

T 1.888.936.7872 W www.fisherpaykel.com

The product dimensions and specifications in this page apply to the specific product