

# FISHER & PAYKEL

## PRELIMINARY SPECIFICATION GUIDE

## HEAT PUMP CONDENSING DRYER, 9KG SERIES 9



### OVERVIEW

With class-leading energy efficiency, this Heat Pump Condensing Dryer is designed to be placed almost anywhere in the home. Perfect for laundries where venting is difficult, heat pump technology dries at lower temperatures for gentle fabric care while condensing moisture. The new Steam Freshen cycle reduces odours and de-wrinkles clothes, while advanced anti-tangling capability ensures even drying without sacrificing on speed.

### MODELS

Heat Pump Condensing Dryer, 9kg  
DH9060FS1

### SERIES

Series 9  
Condensing Dryer

### FEATURES

- ① Class-leading energy efficiency
- ② Easy installation with no need for external venting
- ③ Advanced anti-tangling technology for even drying
- ④ Auto-sensing technology detects moisture levels to prevent under or over drying
- ⑤ Steam Freshen cycle de-wrinkles, deodorises, and refreshes clothes
- ⑥ Option for a faster drying time than conventional heat pump dryers
- ⑦ Intuitive LCD display
- ⑧ Option to download cycles via easy-to-use app
- ⑨ Works with Google Assistant and Amazon Alexa

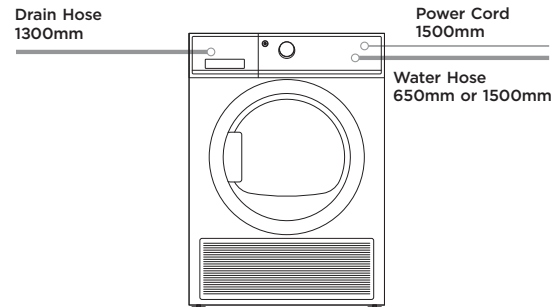
# FISHER & PAYKEL

## PRELIMINARY SPECIFICATION GUIDE

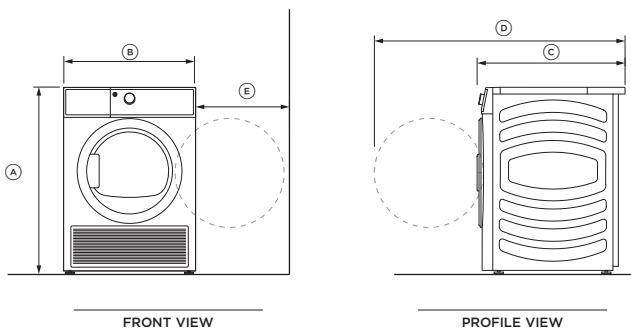
## HEAT PUMP CONDENSING DRYER, 9KG SERIES 9

### SPECIFICATIONS

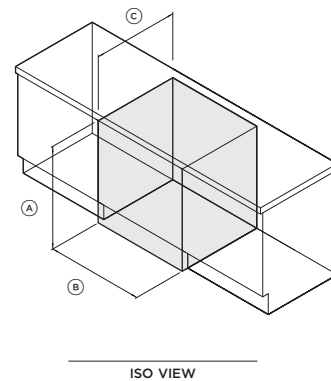
<b>Model No.</b>	DH9060FS1
<b>Dimensions</b>	H 850mm W 600mm D 665mm
<b>Weight</b>	53kg
<b>Electrical</b>	
<b>Supply</b>	220V - 240V, 50Hz
<b>Service</b>	10-amp circuit
<b>Outlet</b>	3-prong grounding-type
<b>Plumbing</b>	
<b>Supply</b>	Hose set and Y connector provided for connection to cold water (to enable Steam Freshen)
<b>Pressure</b>	Max. 1MPa (150psi) Min. 30KPa (4.5psi), Min. 6 litres/min



### PRODUCT DIMENSIONS



### CAVITY DIMENSIONS: STANDARD INSTALLATION



	mm
<b>(A) Overall height*</b>	
• Min	840
• Max	855
<b>(B) Overall width</b>	600
<b>(C) Overall depth**</b>	665
<b>(D) Depth with the door open</b>	1080
<b>(E) Min. door clearance to adj. wall</b>	335

\* Includes adjustable mounted feet and the range of movement

\*\* Includes dial and door when closed

	mm
<b>(A) Minimum height*</b>	860
<b>(B) Minimum width</b>	640
<b>(C) Minimum cavity depth</b>	
• Flush with front panel of the product	640
• In cupboard	705
<b>Minimum gap clearance to adjacent product or cabinetry**</b>	20

\* Depends on feet adjustment

\*\* Applies to sides, top and rear