

FISHER & PAYKEL

PRELIMINARY SPECIFICATION GUIDE

WALL RANGEHOOD



OVERVIEW

Designed to complete the Contemporary kitchen, these wall box chimney rangehoods are made from quality stainless steel and sleek black glass. With three fan speeds, plus a boost function, powerful extraction quickly removes odours and steam. Enjoy seamless operation with Wi-Fi enabled remote control.

MODELS

Wall Rangehood, 60cm, Box Chimney
HC60DCXB4

Wall Rangehood, 90cm, Box Chimney
HC90DCXB4

Wall Rangehood, 120cm, Box Chimney
HC120DCXB4

SERIES & STYLE

Series 7
Contemporary Style

FEATURES

- ① Sleek black glass finish with stainless steel frame
- ② Wi-Fi enabled for remote control and notifications through the SmartHQ™ app
- ③ Edge-to-edge extraction
- ④ Bicolour LEDs 3K and 4K
- ⑤ Intuitive touch controls
- ⑥ Three fan speeds plus boost
- ⑦ Auto off timer function
- ⑧ Dishwasher-safe anti-drop aluminium filters
- ⑨ 150mm diameter duct
- ⑩ Recirculation options available

ACCESSORIES

- ④ Chimney Extension
- ⑤ Recirculating Diverter
- ⑥ Recirculation Carbon Filter
- ⑦ Aluminium Filter

FISHER & PAYKEL

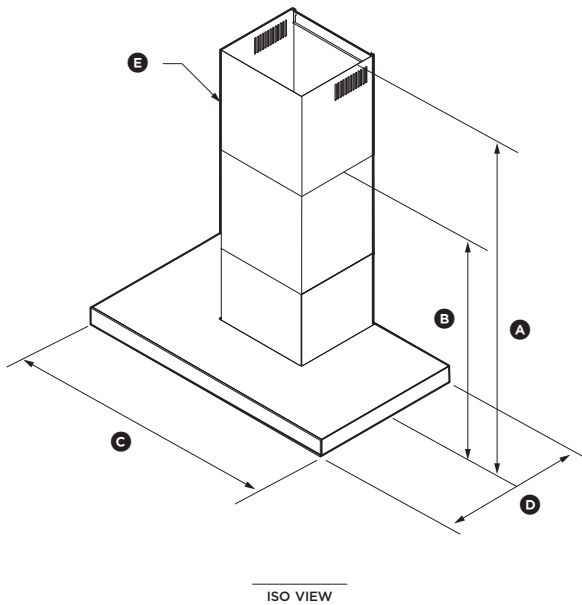
PRELIMINARY SPECIFICATION GUIDE

WALL RANGEHOOD, 60CM

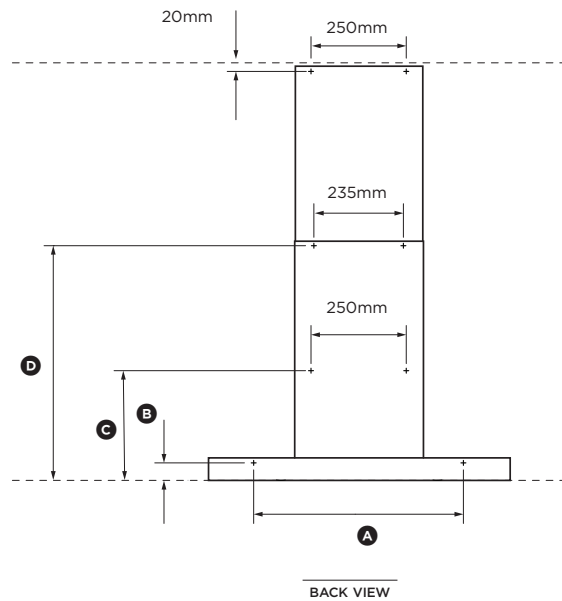
SPECIFICATIONS

Model No.	HC60DCXB4 (Airflow 770m ³ /hr)
Dimensions	H 635 - 1035mm x W 598mm x D 500mm
Minimum distance above cooktops	Consult the cooktop installation guide for details of the required installation height of the rangehood
Electrical	
Supply	230 V, 50 Hz
Outlet	3 pin plug
Light source	
Type	9-Watt LED lightstrip

PRODUCT DIMENSIONS



ATTACHMENT DIMENSIONS



		mm
(A)	Maximum overall height of rangehood	1035
(B)	Minimum overall height of rangehood	635
(C)	Overall width of rangehood	598
(D)	Overall depth of rangehood	500
(E)	Diameter of ducting outlet	150

		mm
(A)	Lower rangehood attachment point width	420
(B)	Lower rangehood attachment point height	36
(C)	Upper rangehood attachment point height	286
(D)	Chimney bracket attachment point height	559

FISHER & PAYKEL

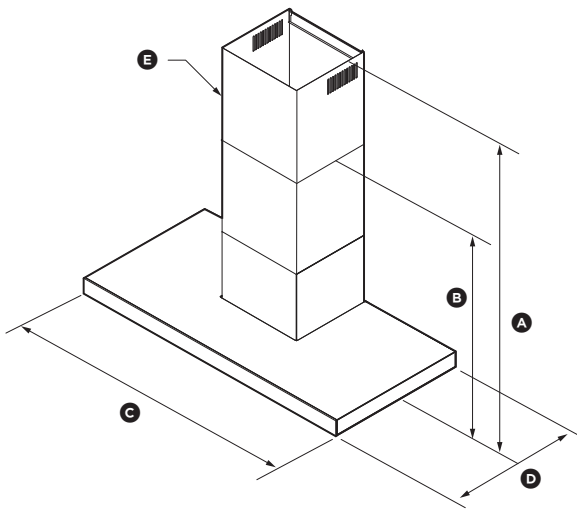
PRELIMINARY SPECIFICATION GUIDE

WALL RANGEHOOD, 90CM

SPECIFICATIONS

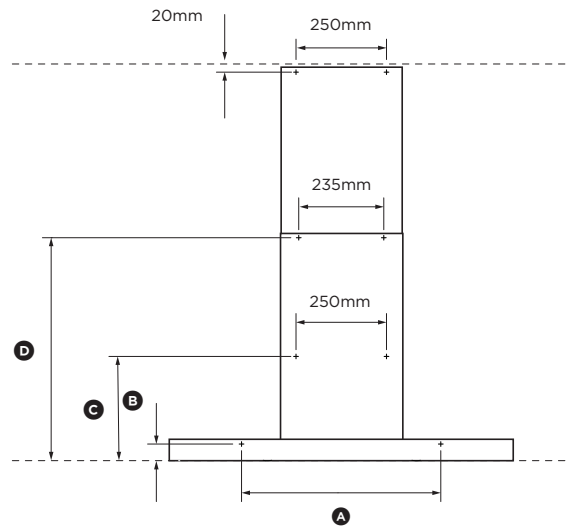
Model No.	HC90DCXB4 (Airflow 770m ³ /hr)
Dimensions	H 635 - 1035mm x W 898mm x D 500mm
Minimum distance above cooktops	Consult the cooktop installation guide for details of the required installation height of the rangehood
Electrical	
Supply	230 V, 50 Hz
Outlet	3 pin plug
Light source	
Type	9-Watt LED lightstrip

PRODUCT DIMENSIONS



ISO VIEW

ATTACHMENT DIMENSIONS



BACK VIEW

		mm
(A)	Maximum overall height of rangehood	1035
(B)	Minimum overall height of rangehood	635
(C)	Overall width of rangehood	898
(D)	Overall depth of rangehood	500
(E)	Diameter of ducting outlet	150

		mm
(A)	Lower rangehood attachment point width	580
(B)	Lower rangehood attachment point height	36
(C)	Upper rangehood attachment point height	286
(D)	Chimney bracket attachment point height	559

FISHER & PAYKEL

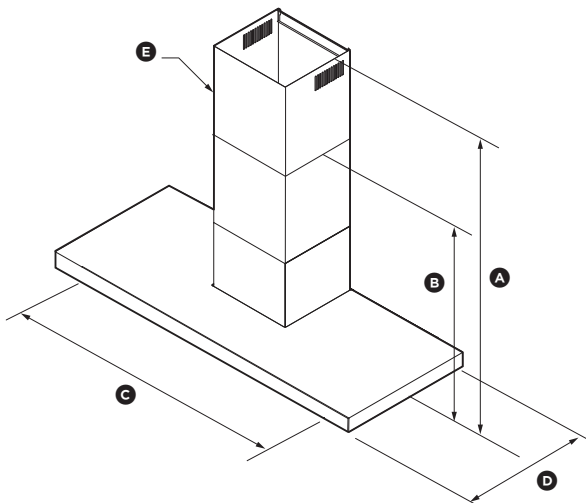
PRELIMINARY SPECIFICATION GUIDE

WALL RANGEHOOD, 120CM

SPECIFICATIONS

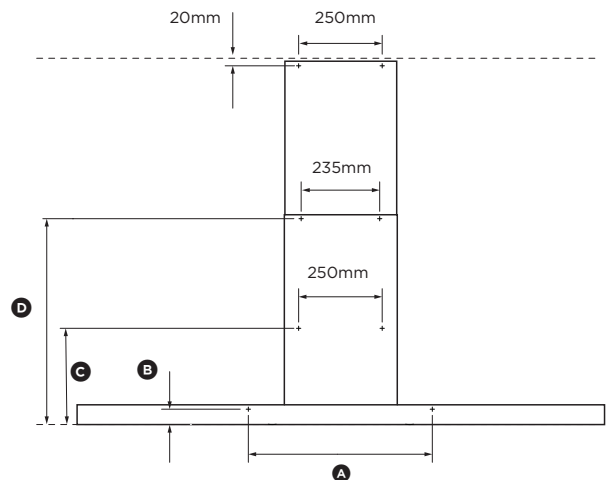
Model No.	HC120DCXB4 (Airflow 770m ³ /hr)
Dimensions	H 635 - 1035mm x W 1198mm x D 500mm
Minimum distance above cooktops	Consult the cooktop installation guide for details of the required installation height of the rangehood
Electrical	
Supply	230 V, 50 Hz
Outlet	3 pin plug
Light source	
Type	9-Watt LED lightstrip

PRODUCT DIMENSIONS



ISO VIEW

ATTACHMENT DIMENSIONS



BACK VIEW

		mm
(A)	Maximum overall height of rangehood	1035
(B)	Minimum overall height of rangehood	635
(C)	Overall width of rangehood	1198
(D)	Overall depth of rangehood	500
(E)	Diameter of ducting outlet	150

		mm
(A)	Lower rangehood attachment point width	770
(B)	Lower rangehood attachment point height	36
(C)	Upper rangehood attachment point height	286
(D)	Chimney bracket attachment point height	559