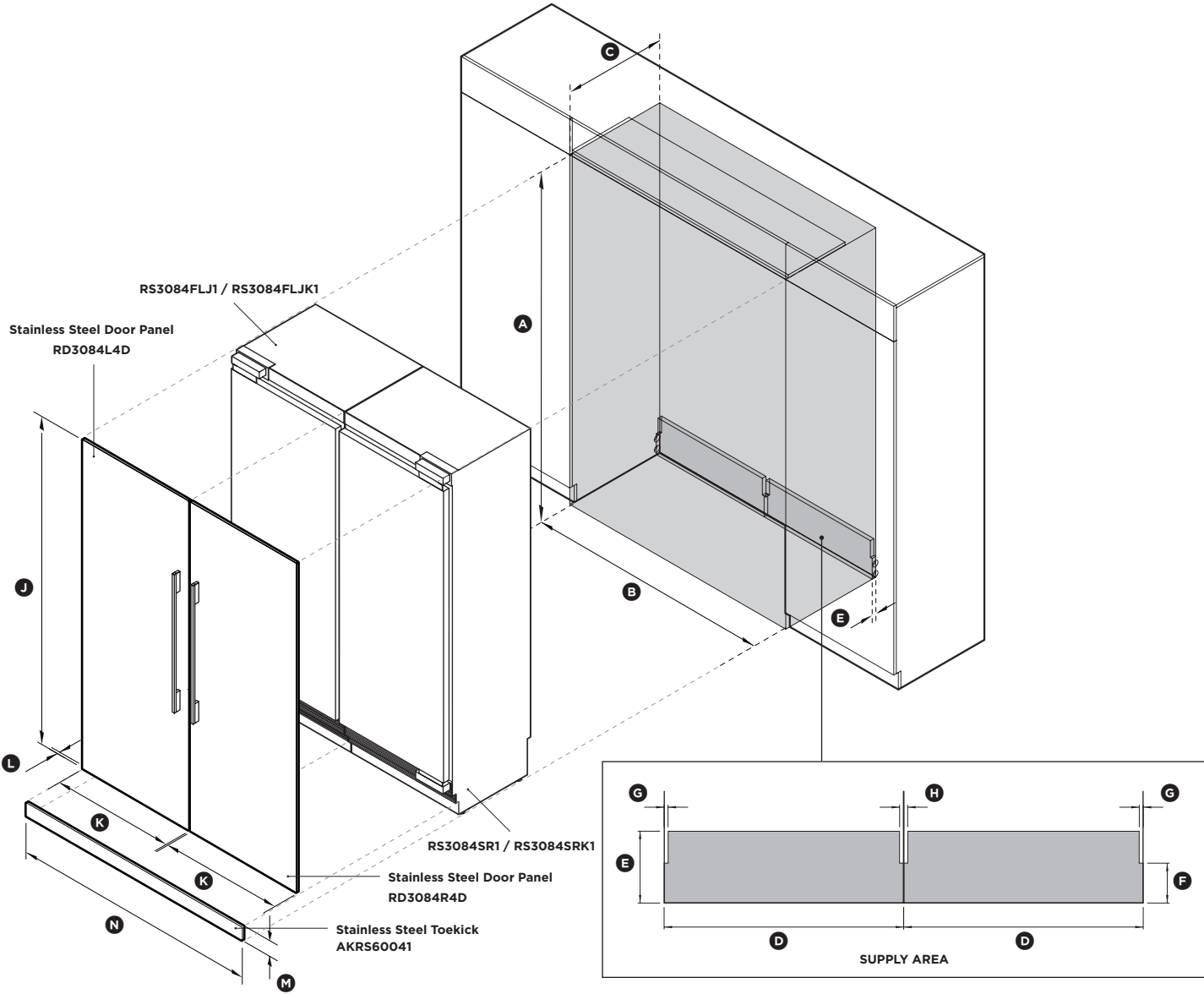


FISHER & PAYKEL

DATA SHEET

30" Freezer + 30" Fridge - Stainless Steel Integrated Columns



ISO VIEW OF 60" CAVITY
(30" + 30")

Model no:
RS3084FLJ1 / RS3084FLJK1 + RS3084SR1 / RS3084SRK1 shown.
 (Various models available to swap units to opposite sides, hinge doors both left, both right or at the outsides as shown here).
 (refer page 2 for metric measurements)

IMPORTANT!
For ease of installation, ensure cavity has consistent dimensions top to bottom and left to right.

Clearance Dimensions		in
Ⓐ	Overall height of cavity	84"
Ⓑ	Overall width of cavity	60"
Ⓒ	Minimum depth of cavity*	25"
Ⓓ	Width of supply area behind individual fridge or freezer	30"
Ⓔ	Height of supply area	9"
Ⓕ	Height at sides of supply area	5"
Ⓖ	Width from side of supply area	1/2"
Ⓙ	Combined width in from side of supply areas	1"
Ⓚ	Depth of supply area	1"
	Minimum door cabinetry gap clearance	1/8"

Optional Stainless Steel Panel Dimensions		in
Ⓛ	Height of door panel	79 7/8"
Ⓜ	Width of door panels	29 3/4"
Ⓝ	Depth of door panels	3/4"
Ⓞ	Height of toe kick panel	3 15/16"
Ⓟ	Width of toe kick panel	59 13/16"

* With cavity at minimum depth, electrical and water connections must be within the supply area shown if located behind the appliance, and must not protrude from the back wall.
 Connections may be located in an adjacent cabinet to either side of the fridge.

HANDLES: Handle Kits are sold separately. Shown with handle kit ADH3-RD84. Other style options available.

DATE: 10.10.2018

IMPORTANT NOTE: Throughout this guide, dimensions may vary by ±2mm (1/16"). Please read the installation manual for detailed information on installing the product. For full installation instructions & specifications visit fisherpaykel.com

FISHER & PAYKEL

DATA SHEET

30" Freezer + 30" Fridge - Stainless Steel Integrated Columns

Model no:

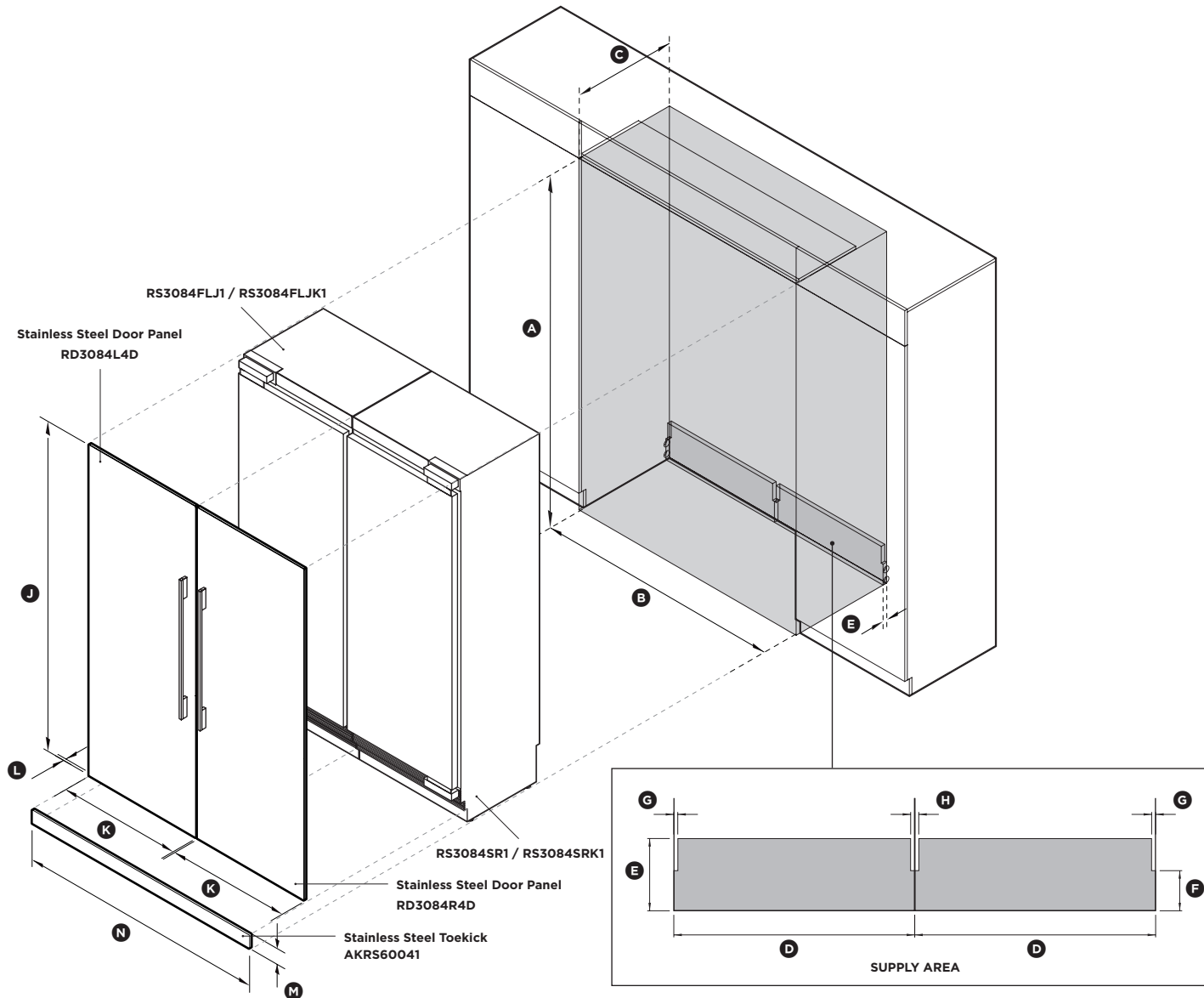
RS3084FLJ1 / RS3084FLJK1 + RS3084SR1 / RS3084SRK1 shown.

(Various models available to swap units to opposite sides, hinge doors both left, both right or at the outsides as shown here).

(refer page 1 for imperial measurements)

IMPORTANT!

For ease of installation, ensure cavity has consistent dimensions top to bottom and left to right.



ISO VIEW OF 1524mm CAVITY
(762mm + 762mm)

Clearance Dimensions		mm
Ⓐ	Overall height of cavity	2134
Ⓑ	Overall width of cavity	1524
Ⓒ	Minimum depth of cavity*	635
Ⓓ	Width of supply area behind individual fridge or freezer	762
Ⓔ	Height of supply area	229
Ⓕ	Height at sides of supply area	127
Ⓖ	Width from side of supply area	13
Ⓖ	Combined width in from side of supply areas	25
Ⓙ	Depth of supply area	25
	Minimum door cabinetry gap clearance	3

Optional Stainless Steel Panel Dimensions		mm
Ⓙ	Height of door panel	2029
Ⓚ	Width of door panels	756
Ⓛ	Depth of door panels	19
Ⓜ	Height of toe kick panel	100
Ⓝ	Width of toe kick panel	1520

* With cavity at minimum depth, electrical and water connections must be within the supply area shown if located behind the appliance, and must not protrude from the back wall. Connections may be located in an adjacent cabinet to either side of the fridge.

HANDLES: Handle Kits are sold separately. Shown with handle kit ADH3-RD84. Other style options available.

DATE: 10.10.2018

IMPORTANT NOTE: Throughout this guide, dimensions may vary by ±2mm (1/16"). Please read the installation manual for detailed information on installing the product. For full installation instructions & specifications visit fisherpaykel.com