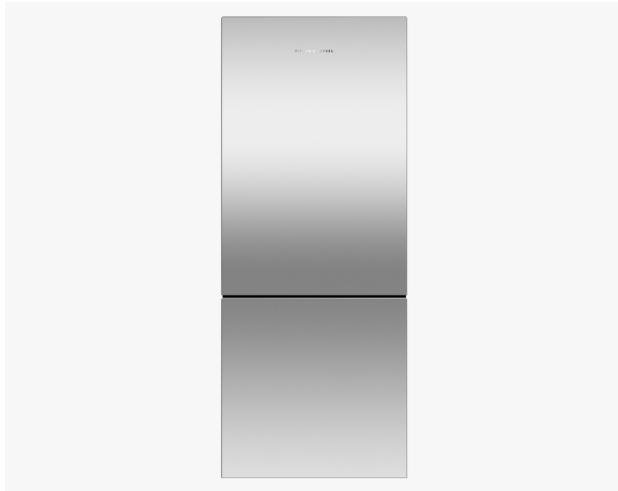


# Freestanding Refrigerator Freezer, 63.5cm, 351L

Series 5 | Contemporary

Stainless Steel | Right Hinge

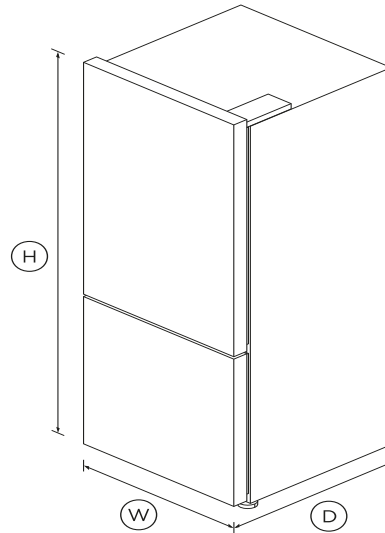


With stylish contemporary design and generous, flexible storage for all your chilled and frozen foods.

- ActiveSmart™ technology helps keep food fresher for longer by constantly maintaining the ideal temperature.
- Ultra flat door conceals handles for streamlined look
- Spacious bottom freezer with easy-slide internal drawers to separate storage

## DIMENSIONS

Height	1620mm
Width	635mm
Depth	695mm



## FEATURES & BENEFITS

### ActiveSmart™ Foodcare

ActiveSmart™ Foodcare learns how you live. It's technology which understands how you use your refrigerator and adjusts temperature, airflow and humidity inside to help keep food fresher for longer.

### Design quality

Our refrigerators are designed and built using quality materials. We use real stainless steel on our refrigerators and solid glass for shelving.

### Humidity Control

Your fruit and veges need different environments. The humidity control slides in each storage bin create a microclimate that helps keep food fresher for longer.

### Simple Storage

There are multiple storage options for you to choose from. Different sized adjustable shelves and door storage give you plenty of room to stack and pack all your groceries. Storage bins give you full access inside when they're pulled open and can be easily removed to clean.

### Clever energy

Your refrigerator adapts to daily use by cooling and defrosting only when needed. This means it uses the energy it needs without compromising on food care.

### Easy Cleaning

No more permanent dirty marks with our EZKleen feature for stainless steel refrigerators. Anti-fingerprint coating means you simply wipe clean any marks. Spill-safe secure glass shelves easily capture any drips or leaks.

## SPECIFICATIONS

### Capacity

Volume	351L
Volume freezer	111L
Volume refrigerator	240L

### Consumption

Energy rating	2.5 star
Energy usage	455kWh/year
In-use energy carbon	61.6kgCO2e/year

### Features

Adjustable door shelves	4	Height	1620mm
Adjustable glass shelves	2	Height to top of cabinet	1620mm
Covered door shelves	2	Width	635mm
Door alarm	•		
Front levelling feet	•		
Fruit and vegetable bins	2	<b>Warranty</b>	
Full extension runners	•	Parts and labour	<b>2 years</b>
LED lighting	•	Sealed system parts only	<b>5 years</b>
Rear rollers	•		
Single bottle holders	2	SKU	25554
SmartTouch control panel	•		
Spill proof removable bins	•		

The product dimensions and specifications in this page apply to the specific product and model. Under our policy of continuous improvement, these dimensions and specifications may change at any time. You should therefore check with Fisher & Paykel's Customer Care Centre to ensure this page correctly describes the model currently available. Fisher & Paykel Appliances Ltd 2020

**Where applicable:**

All appliances use energy, and energy usage typically generates carbon emissions. **Fisher & Paykel Appliances' In-use Energy Carbon Emissions Estimate** indicates carbon emissions from a product's in-use energy. This is calculated either annually or per cycle, using the product's market-specific energy label energy consumption data multiplied by the carbon emissions factor for energy in your country or region.

Our In-use Energy Carbon Emissions Estimate is designed to assist customers in making informed purchasing decisions when comparing different Fisher & Paykel products. For example, a heat pump dryer typically has a lower In-use Energy Carbon Emissions Estimate than a vented dryer.

**Freezer Features**

- Bottle chill •
- Door alarm •
- Fast freeze •
- Freezer bins 2
- Ice trays 2
- Large plastic bins •
- Slide Out Pastry Tray •
- Small plastic bins •

**Performance**

- ActiveSmart™ Foodcare •
- Adaptive defrost •
- Frost free freezer •

**Product dimensions**

Depth 695mm

**Other product downloads available at fisherpaykel.com**

- [↓](#) Service & Warranty
- [↓](#) User Guide
- [↓](#) Installation & User Guide Refrigerator
- [↓](#) Installation Guide - Quick Reference
- [↓](#) Data Sheet Freestanding Refrigerator Freezer



**A PEACE OF MIND SALE**

**24 Hours 7 Days a Week Customer Support**

**T 0800 372 273 W** [www.fisherpaykel.com](http://www.fisherpaykel.com)