

Heat Pump Dryer, 9kg, Steam Care

Series 9 | Heat Pump

White

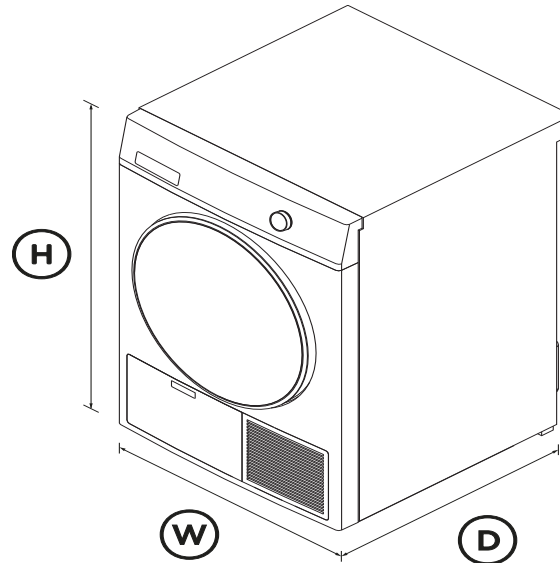


Better energy efficiency and fabric care with heat pump condensing technology, which quickly dries your clothes at a lower temperature.

- 23 fabric care cycles including Steam Freshen to quickly dewrinkle and deodorise your clothes
- TangleProtect technology reduces clothes tangling and ensures even drying
- Speed mode reduces drying times of cycles
- Class-leading 10-star energy rating

DIMENSIONS

Height	850mm
Width	600mm
Depth	670mm



FEATURES & BENEFITS

The Pinnacle Of Fabric Care

Intuitive controls with clever drying hints help you get the best results. The LCD display provides a simple interface to select from 23 dry cycles; including Steam Freshen, Hygiene, Activewear, Wool, Silk and Denim.

Dewrinkle, Deodorise, Detangle

Steam cycle is perfect for occasions where clothes have been worn once and need freshening up. An alternative to full-cycle washes, it removes odours without using detergent, and gently

eases the creases out of clothes to save you precious time spent ironing.

Customise your drying with Optimise Dry

For a focus on energy efficiency, dry with the default Optimise Dry Eco option. Choose Speed to shorten cycle times, while Quiet mode reduces cycle noise - perfect for late night laundry. Available on Everyday, Cottons, Towels and Heavy cycles.

TANGLEPROTECT TECHNOLOGY

TangleProtect technology pairs an advanced air circulation system with true reverse tumbling to reduce tangling and balling during the dry cycle - ensuring your clothes and sheets are dried consistently and evenly.

Faster Dry Times

Speed mode utilises a variable speed compressor to deliver a faster drying time, closer to timings experienced with vented dryers.

A perfect 10

This dryer uses heat pump technology to gently and effectively dry clothes at low temperatures. With an outstanding 10-star energy rating, you can dry with confidence.

Health And Hygiene

The Hygiene cycle provides extra protection for your clothes. The extra high dry temperature is designed to kill more than 99.9% of bacteria and reduce allergens, perfect for durables such as sheets and towels.

SPECIFICATIONS

Consumption

Energy rating	10 star
Energy usage	105kWh/year
In-use energy carbon	68.4kgCO2e/year

Dry Cycles

Activewear	•	Drain hose	included	TangleProtect	•
Bulky	•	Drum light	•	Time dry	30,40,50... 150 mins
Cool air	•	Drying rack	•	<hr/>	
Cottons	•	Easy access lint filter	•	Product dimensions	
Delicate	•	Easy clean condenser filter	•	Depth	670mm
Denim	•	Eco mode	•	Height	850mm
Easy Iron	•	End of cycle signal	•	Width	600mm
Everyday	•	Favourite mode	•	<hr/>	
Heavy	•	Hygiene cycle	•	Warranty	
Hygiene	•	No external venting	•	Parts and labour	2 years
Number of cycles	23	Quiet mode	•	<hr/>	
Outdoor	•	Regular software updates	•	SKU	93283
Pre iron	•	Removable water tank	•	<hr/>	
Rack dry	•	Screen brightness settings	•	The product dimensions and specifications in this page apply to the specific product and model. Under our policy of continuous improvement, these dimensions and specifications may change at any time. You should therefore check with Fisher & Paykel's Customer Care Centre to ensure this page correctly describes the model currently available. Fisher & Paykel Appliances Ltd 2020	
Sheets	•	SmartTouch™ control dial	•	Where applicable:	
Silk	•	Speed mode	•	All appliances use energy, and energy usage typically generates carbon emissions. Fisher & Paykel Appliances' In-use Energy Carbon Emissions Estimate indicates carbon emissions from a product's in-use energy. This is calculated either annually or per cycle, using the product's market-specific energy label energy consumption data multiplied by the carbon emissions factor for energy in your country or region.	
Sneakers	•	Stainless steel drum	•	Our In-use Energy Carbon Emissions Estimate is designed to assist customers in making informed purchasing decisions when comparing different Fisher & Paykel products. For example, a heat pump dryer typically has a lower In-use Energy Carbon Emissions Estimate than a vented dryer.	
Soft toys	•	Time to go	•		
Sports	•	Wi-Fi capable	•		
Time dry	•	Woolmark certified	•		
Towels	•	Wrinkle free option	•		
Ultra delicate	•	<hr/>			
Wool	•	Performance			
<hr/>		Auto sensing	•		
Features		Compressor type	Variable speed		
Beeps on/off function	•	Dryness settings	5		
Child/Keylock	•	Heat pump technology	•		
Clean condenser filter	•	Optimise Dry	Speed, Eco, Quiet		
Clean door lint filter reminder	•	Reverse tumbling	•		
Damp dry signal	•	Steam Care	•		

Other product downloads available at fisherpaykel.com

- [↓](#) User Guide
- [↓](#) Energy Label
- [↓](#) Service & Warranty
- [↓](#) Energy Label Heat Pump Dryer
- [↓](#) Installation Guide



A PEACE OF MIND SALE

24 Hours 7 Days a Week Customer Support

T 1300 650 590 **W** www.fisherpaykel.com