

Series 9, Contemporary Double DishDrawer Dishwasher

Contemporary



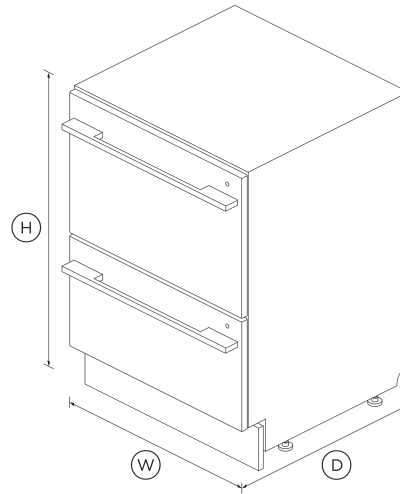
<p>Wash one drawer while you load the other, with minimal bending and room in each drawer for full-size dinner plates.</p>

- Six wash programs, as well as additional Quick wash, Sanitise and Extra Dry options
- Flexible racking allows you to customise internal shelves to suit your needs

DIMENSIONS

Height 820 - 880 mm

Width 599 mm
Depth 573 mm



FEATURES & BENEFITS

Quick, Sanitise and Extra Dry options

The Quick wash modifier delivers a faster wash while maintaining performance. The Sanitise option provides extra protection, killing 99.9% of bacteria* in the final rinse. The Extra Dry setting is perfect for plastic dishes. *Certified to NSF/ANSI Standard 184

Ease Of Use

DishDrawer™ Dishwashers are as easy to open and close as kitchen drawers, and can be conveniently positioned at bench height for ease of loading and minimal bending. Flexible racking allows you to make adjustments to fit in a variety of dishes.

Independent Washing

With the ability to use both drawers independently and select different wash programs, the DishDrawer™ Dishwasher can wash everything from fine glass and crystal to heavily soiled pots and pans.

Beauty Of Choice

As much a design component as a high performance appliance, the black DishDrawer™ Dishwasher brings a touch of sophistication to your kitchen, on its own or part of a matching kitchen appliance set.

True Half Load

Each drawer holds a true half load for small, fast dish washing that won't waste water. Both drawers operate independently so two wash cycles can operate simultaneously to allow for varying loads.

Quiet Performer

Running at a very low decibel rating, these DishDrawer™ Dishwashers do their job without making a fuss. The combination of intelligent technology and simple mechanics means greater reliability and excellent wash performance.

SPECIFICATIONS

Accessories (included)

- | | |
|----------------------------------|-------------|
| Cutlery basket | • |
| Kickstrip | true |
| Knife clip and multipurpose clip | • |

Capacity and loading

- | | |
|--------------------------------------|--------------|
| Accommodates round plates up to | 280mm |
| Adjustable height, foldable cupracks | • |
| Fold down tines | • |
| Pitch adjustable tines | • |

| | |
|---------------------------|----|
| Place settings | 14 |
| Place settings | 14 |
| Place settings per drawer | 7 |

Connected Features

| | |
|--------------------------|---|
| Alerts and notifications | • |
| Education and onboarding | • |
| Monitoring | • |
| Software updates | • |

Consumption

| | |
|---|---|
| Energy rating | 3.5 star |
| Energy usage | 136kWh/year per drawer |
| In-use energy carbon emissions estimate | 12.9kgCO ₂ e/year per drawer |
| Water consumption (per wash cycle) | 6.9L per drawer |
| Water rating | 4.5 star (WELS) |

Controls

| | |
|--|---|
| End of cycle beeps | • |
| Energy saving delay start option of up to 12 hours | • |
| Internal wash selector | • |
| Keylock | • |
| Rinse aid indicator light | • |
| Smart appliance | • |

Features

| | |
|----------------------------------|---|
| Fan assisted drying | • |
| Flood protection | • |
| Flow through detergent dispenser | • |
| Quiet operation | • |
| SmartDrive™ technology | • |

Performance

| | |
|------------------------------------|--------|
| Noise on standard cycle top drawer | 42 dBA |
|------------------------------------|--------|

Power requirements

| | |
|------------------|------------|
| Amperage | 10A |
| Supply frequency | 50Hz |
| Supply voltage | 220 - 240V |

Product dimensions

| | |
|--------|--------------|
| Depth | 573 mm |
| Height | 820 - 880 mm |
| Width | 599 mm |

Wash Program Modifiers

| | |
|----------------|---|
| Extra Dry | • |
| Quick | • |
| Sanitise | • |
| Wash modifiers | 3 |

Wash Programs

| | |
|---------------|---|
| Delicate | • |
| Eco | • |
| Fast | • |
| Heavy | • |
| Medium | • |
| Rinse | • |
| Wash programs | 6 |

Water connection

| | |
|----------------|--|
| Water pressure | 30kPa - 1000 kPa |
| Water supply | 3/4" BSP (20mm) Connector Water Inlet Hose |

| | |
|-----|-------|
| SKU | 82326 |
|-----|-------|

The product dimensions and specifications in this page apply to the specific product and model. Under our policy of continuous improvement, these dimensions and specifications may change at any time. You should therefore check with Fisher & Paykel's Customer Care Centre to ensure this page correctly describes the model currently available. © Fisher & Paykel Appliances Ltd 2020

Other product downloads available at fisherpaykel.com

- [↓](#) Care & Maintenance (English)
- [↓](#) Energy Label
- [↓](#) First Use (English)
- [↓](#) Installation Guide (English)
- [↓](#) Revit
- [↓](#) Rhino

- ↓ SketchUp
- ↓ Wash Program Data (English)
- ↓ Installation Video

Where applicable:

All appliances use energy, and energy usage typically generates carbon emissions. **Fisher & Paykel Appliances' In-use Energy Carbon Emissions Estimate** indicates carbon emissions from a product's in-use energy. This is calculated either annually or per cycle, using the product's market-specific energy label energy consumption data multiplied by the carbon emissions factor for energy in your country or region.

Our In-use Energy Carbon Emissions Estimate is designed to assist customers in making informed purchasing decisions when comparing different Fisher & Paykel products. For example, a heat pump dryer typically has a lower In-use Energy Carbon Emissions Estimate than a vented dryer.



A PEACE OF MIND SALE
24 Hours 7 Days a Week Customer Support
T 0800 372 273 W www.fisherpaykel.com