

Freestanding Cooker, Induction, 90cm, 5 Zones with SmartZone, Self-cleaning

Series 9 | Contemporary

Stainless Steel



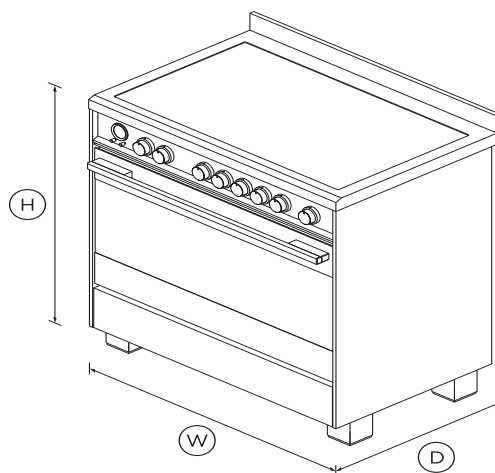
With a large oven and cooktops that can be paired to create an expansive cook zone, this is the perfect choice for those who love to cook.

- Five cooking zones, with the ability to pair zones to create SmartZones
- Convection oven with 140L total capacity and nine oven functions including Pastry Bake with pizza mode and rapid proof for making bread
- Non-tip full-extension shelves for safe removal of hot dishes

- Pyrolytic self-clean breaks down food residue at a very high temperature, leaving a light ash that's easily removed with a damp cloth

DIMENSIONS

Height	898 - 946mm
Width	897mm
Depth	600mm



FEATURES & BENEFITS

MULTI-SHELF COOKING

Our AeroTech™ system circulates heat evenly for a consistent temperature throughout the cavity, helping you achieve perfect results even when using multiple shelves.

Quality and durability

Every detail has been carefully crafted. The solid, perfectly balanced soft-close door, durable cooktop and glowing halo dials all add up to an exceptional, premium freestanding cooker.

Power & Control

Instant and immediate control from the highest to the gentlest heat. The finely tuned cooktop controls let you sear or simmer a delicate sauce to perfection.

Easy cleaning

Cleaning up spills is effortless. Your cooktop simply needs a quick wipe to keep it looking good as new. The pyrolytic self-clean oven cycle breaks down food residue at a very high temperature, leaving a light ash that's easily removed with a damp cloth.

Even heat

Accurate, electronically-controlled oven heat ensures a great result every time.

Large capacity oven

The generous 140L total capacity oven gives you plenty of space to cook multiple dishes at once.

SPECIFICATIONS

Accessories

Flat wire shelf	1
Full extension sliding shelves	2 sets (part 578744)
Full extension telescopic	2 sets (part 578744)
Grill rack	•
Roasting dish	1
Rotisserie set	1 set
Step down wire shelf	•

Accessories (sold separately)

Kick strip, stainless steel	KICKOR90X1
-----------------------------	------------

Capacity		Turned stainless steel clock	•	Power requirements	
Shelf positions	6	Turned stainless steel dials	•	Amperage	68A
Shelf positions (main oven)	6	<hr/>		Supply frequency	50Hz
Total capacity	140L	Oven features		Product dimensions	
Usable capacity	121L	AeroTech™ technology	•	Depth	600mm
Usable capacity (main oven)	121L	Automatic rapid pre-heat	•	Height	898 - 946mm
<hr/>		Electronic oven control	•	Width	897mm
Cleaning		Full extension telescopic	•	<hr/>	
Acid resistant graphite enamel	•	Internal light	4 x 25W halogen (2 side & 2	Cooktop Features	
Drop down grill element	•	Soft open/close door	•	Auto heat reduce	•
Flat easy clean glass surface	•	True convection	•	Dual colour display	•
Pyrolytic proof shelf runners	•	Twin cavity fans	•	Gentle heat	•
Pyrolytic self-clean	•	Warming drawer	•	Heat settings	9
Removable oven door	•	<hr/>		Induction cooking technology	•
Removable oven door inner	•	Oven functions		SmartZone	1
Removable shelf runners	•	Bake	•	Zone bridging	•
<hr/>		Fan bake	•	<hr/>	
Controls		Fan forced	•	Cooktop Performance	
Audio feedback	•	Fan grill	•	Centre	2300W
Automatic cooking/minute	•	Grill	•	Left front zone rating	1600 (1850)W
Automatic pre-set	•	Number of functions	9	Left rear zone rating	2100 (3000)W
Celsius/Fahrenheit	•	Pastry Bake with Pizza mode	•	Number of cooking zones	5
Electronic clock	•	Rapid proof	•	PowerBoost	•
High resolution display	•	Roast	•	PowerBoost all zones	up to 3000W
Laser etched graphics	•	Rotisserie	•	Right front zone rating	1600 (1850)W
Precise electronic temperature	•	True convection	•	Right rear zone rating	2100 (3000)W
Sabbath mode	•	<hr/>		<hr/>	
Toughened fused glass	•	Oven performance		Safety	
Turned stainless steel clock	•	CoolTouch door	Quadruple glazed		
		Warming drawer power	202W		

- Advanced cooling system •
- Anti-tilt bracket •
- Balanced oven door •
- Catalytic venting system •
- Child lock •
- CoolTouch door •
- Full extension telescopic •
- Non-tip shelves •
- Pan detection system •
- Safety time out •
- Spillage auto off •
- Surface hot indicators •

SKU 81692

Other product downloads available at fisherpaykel.com

- [↓](#) Service & Warranty
- [↓](#) User Guide Freestanding Cooker
- [↓](#) Installation Guide - Kick Strip
- [↓](#) Installation Guide Freestanding Cooker



A PEACE OF MIND SALE
24 Hours 7 Days a Week Customer Support
T 0800 372 273 W www.fisherpaykel.com

The product dimensions and specifications in this page apply to the specific product and model. Under our policy of continuous improvement, these dimensions and specifications may change at any time. You should therefore check with Fisher & Paykel's Customer Care Centre to ensure this page correctly describes the model currently available. ? Fisher & Paykel Appliances Ltd 2020