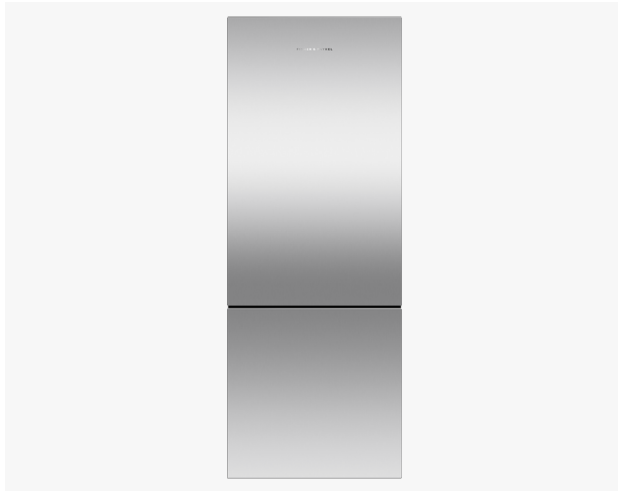


Freestanding Refrigerator Freezer, 63.5cm, 380L

Series 5 | Contemporary

Stainless Steel | Left hinge

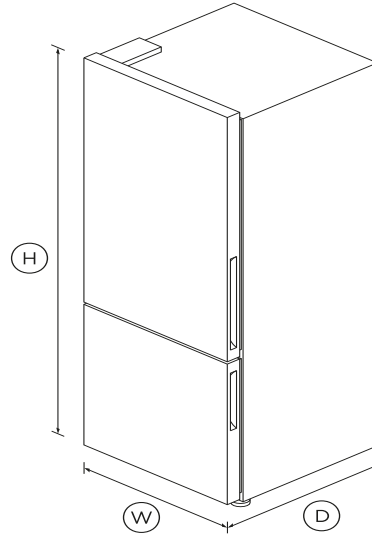


Compact and stylish in stainless steel with concealed handles and generous storage for your chilled and frozen food.

- ActiveSmart™ technology helps keep food fresher for longer by constantly maintaining the ideal temperature.
- Spacious bottom freezer with full extension drawer gives easy access to frozen goods.
- Choose which side you'd like your door hinge on to suit your kitchen layout

DIMENSIONS

Height	1720mm
Width	635mm
Depth	695mm



SPECIFICATIONS

Capacity	
Total net volume	380L
Volume freezer	111L
Volume refrigerator	269L
Consumption	
Energy consumption	327kWh/year
Energy rating	F

Features

Adjustable door shelves	4
Adjustable glass shelves	4
Covered door shelves	2
Door alarm	•
Front levelling feet	•
Fruit and vegetable bins	2
Full extension runners	•
LED lighting	•
Rear rollers	•
SmartTouch control panel	•
Spill proof removable bins	•
Stackable bottle holders	2

Freezer Features

Bottle chill	•
Door alarm	•
Fast freeze	•
Large plastic bins	•
Slide Out Pastry Tray	•

Performance

ActiveSmart™ Foodcare	•
Adaptive defrost	•
Frost free	•
Frost free freezer	•
Inverter controlled compressor	•
Noise emissions	42dBA
Noise emissions class	D

- R600a refrigerant •
- Sabbath mode •

Power requirements

Rated current	10A
Supply frequency	50Hz
Supply voltage	230V

Product dimensions

Depth	695mm
Height	1720mm
Height to top of cabinet	1698mm
Height to top of door	1720mm
Width	635mm

Warranty

Parts and labour	5 years
------------------	----------------

SKU	26324
-----	--------------

Other product downloads available at fisherpaykel.com[Service & Warranty](#)[User & Installation Guide ActiveSmart Refrigerator](#)[Data Sheet Freestanding Refrigerator Freezer](#)**A PEACE OF MIND SALE****24 Hours 7 Days a Week Customer Support****T 08000 886 605 W www.fisherpaykel.com**

The product dimensions and specifications in this page apply to the specific product and model. Under our policy of continuous improvement, these dimensions and specifications may change at any time. You should therefore check with Fisher & Paykel's Customer Care Centre to ensure this page correctly describes the model currently available. ? Fisher & Paykel Appliances Ltd 2020