

FISHER & PAYKEL

SPECIFICATION GUIDE

INTEGRATED COLUMN REFRIGERATORS OR FREEZERS



OVERVIEW

Mix and match these Integrated Column Refrigerators or Freezers for true design freedom. Designed to fit flush with cabinetry with minimal 1/8" gaps, the Integrated Columns can be installed separately or paired. These are available in a range of sizes and can be fitted with stainless steel or custom door panels.

MODELS

18" Integrated Column Freezer
RS1884FRJ1, RS1884FRJK1, RS1884FLJ1, RS1884FLJK1

24" Integrated Column Freezer
RS2484FRJ1, RS2484FRJK1, RS2484FLJ1, RS2484FLJK1

24" Integrated Column Refrigerator
RS2484SR1, RS2484SRK1, RS2484SL1, RS2484SLK1

30" Integrated Column Freezer
RS3084FRJ1, RS3084FRJK1, RS3084FLJ1, RS3084FLJK1

30" Integrated Column Refrigerator
RS3084SR1, RS3084SRK1, RS3084SL1, RS3084SLK1

FEATURES

- ① Flush fit design with 1/8" gaps
- ② Bright LED interior lighting
- ③ Two independent variable temperature zones
- ④ Refrigerators and freezers each have three food modes
- ⑤ 84" height
- ⑥ Cantilevered glass shelves
- ⑦ Easy to access and use touch-control panel
- ⑧ Hidden ventilation grille
- ⑨ Energy efficient
- ⑩ ActiveSmart™ Food Care helps keep food fresher for longer

ACCESSORIES

- ① Four handle styles
- ② Easy-to-install joiner kit for paired installation (included with all freezer models)
- ③ EZKleen stainless steel door panels
- ④ Stainless steel toe kick

FISHER & PAYKEL

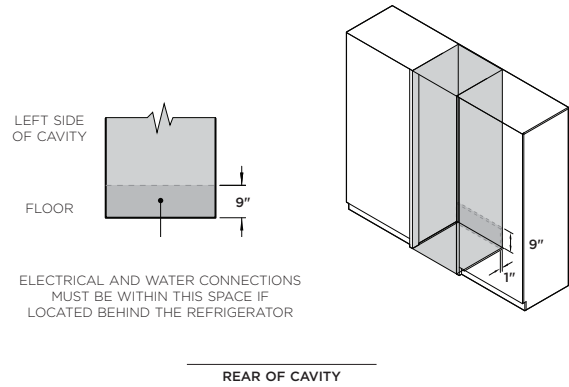
SPECIFICATION GUIDE

18" INTEGRATED COLUMN FREEZER

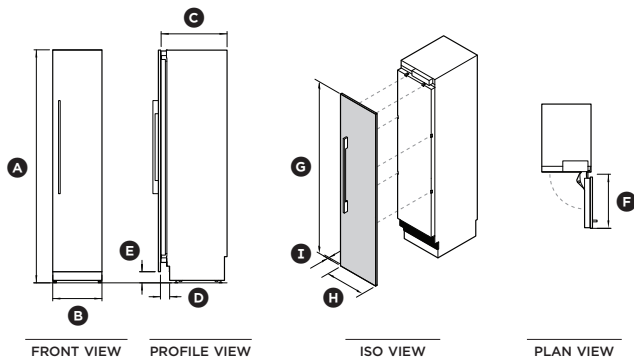
SPECIFICATIONS

Model No.	RS1884FRJ1, RS1884FRJK1: Note – Left hand hinge models are a mirrored version of image shown. RS1884FLJ1, RS1884FLJK1
Dimensions	H 84" x W 17 3/4" x D 24"
Door Clearance	20"
Weight	260 lbs (118kg)
Door Hinge	Hettich KO5
Electrical	
Supply	115 VAC, 60 Hz
Service	10 amp circuit
Receptacle	3-prong grounding-type
Plumbing	
Supply	1/4" (6mm) comp. stainless steel braided hose
Pressure	Min 150 kPa (22 psi) Max 827 kPa (120 psi) @ 68°F (20°C)

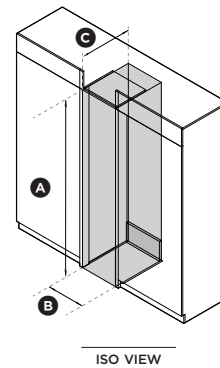
PLUMBING AND ELECTRICAL



PRODUCT DIMENSIONS



CAVITY DIMENSIONS: STANDARD INSTALLATION



		in	mm
(A)	Overall height of product	84"	2134
(B)	Overall width of product	17 3/4"	451
(C)	Overall depth of product (excl. front door panel)	24"	610
(D)	Depth of toekick (excl. front of door panel)	2 11/16" – 4"	68 – 101
(E)	Height of toekick*	2" – 6"	51 – 152
(F)	Depth of door (widest opening) measured from front of door	20"	508
(G)	Height of product front panel	79 7/8"	2029
(H)	Width of product front panel	17 3/4"	451
(I)	Depth of product front panel (excludes handles)	3/4"	19

		in	mm
(A)	Overall height of cavity	84"	2134
(B)	Overall width of cavity	18"	457
(C)	Minimum overall depth of cavity*	25"	635
	Minimum cabinetry gap clearance from edge of door panels	1/8"	3
	Minimum required finished return, sides and top of cavity	4"	102

*Assumes a door panel thickness of 3/4"

*Standard toekick height is 4" with the optional stainless door panel. For custom door panel installation, a custom toekick 2" – 6" can be manufactured and fitted by cabinetmaker. The custom door panel height needs to be adjusted accordingly.

FISHER & PAYKEL

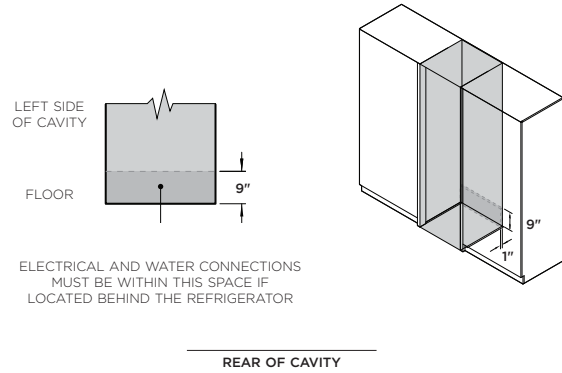
SPECIFICATION GUIDE

24" INTEGRATED COLUMN FREEZER

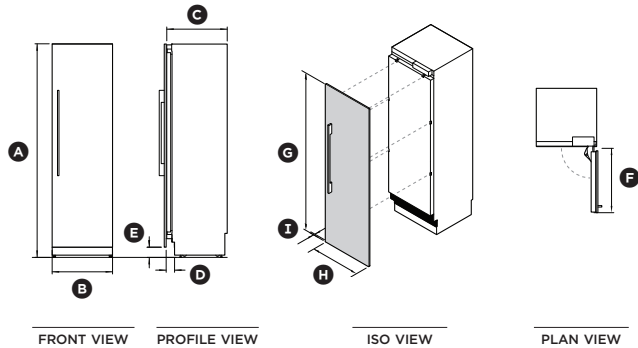
SPECIFICATIONS

Model No.	RS2484FRJ1, RS2484FRJK1: Note — Left hand hinge models are a mirrored version of image shown. RS2484FLJ1, RS2484FLJK1
Dimensions	H 84" x W 23 3/4" x D 24"
Door Clearance	26"
Weight	302 lbs (137kg)
Door Hinge	Hettich KO5
Electrical	
Supply	115 VAC, 60 Hz
Service	10 amp circuit
Receptacle	3-prong grounding-type
Plumbing	
Supply	1/4" (6mm) comp. stainless steel braided hose
Pressure	Min 150 kPa (22 psi) Max 827 kPa (120 psi) @ 68°F (20°C)

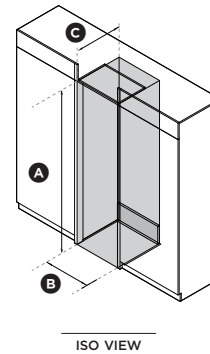
PLUMBING AND ELECTRICAL



PRODUCT DIMENSIONS



CAVITY DIMENSIONS: STANDARD INSTALLATION



		in	mm
(A)	Overall height of product	84"	2134
(B)	Overall width of product	23 3/4"	604
(C)	Overall depth of product (excl. front door panel)	24"	610
(D)	Depth of toekick (excl. front of door panel)	2 11/16" - 4"	68 - 101
(E)	Height of toekick*	2" - 6"	51 - 152
(F)	Depth of door (widest opening) measured from front of door	26"	660
(G)	Height of product front panel	79 7/8"	2029
(H)	Width of product front panel	23 3/4"	604
(I)	Depth of product front panel (excludes handles)	3/4"	19

		in	mm
(A)	Overall height of cavity	84"	2134
(B)	Overall width of cavity	24"	610
(C)	Minimum overall depth of cavity*	25"	635
	Minimum cabinetry gap clearance from edge of door panels	1/8"	3
	Minimum required finished return, sides and top of cavity	4"	102

*Assumes a door panel thickness of 3/4"

*Standard toekick height is 4" with the optional stainless door panel. For custom door panel installation, a custom toekick 2" - 6" can be manufactured and fitted by cabinetmaker. The custom door panel height needs to be adjusted accordingly.

FISHER & PAYKEL

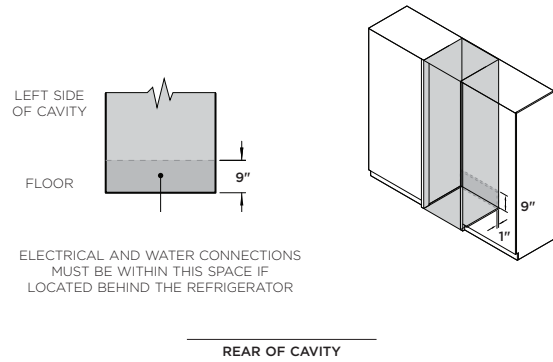
SPECIFICATION GUIDE

30" INTEGRATED COLUMN FREEZER

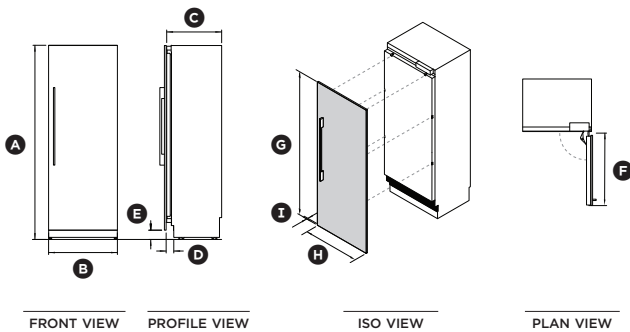
SPECIFICATIONS

Model No.	RS3084FRJ1, RS3084FRJK1: Note — Left hand hinge models are a mirrored version of image shown. RS3084FLJ1, RS3084FLJK1
Dimensions	H 84" x W 29 3/4" x D 24"
Door Clearance	32"
Weight	344 lbs (156kg)
Door Hinge	Hettich KO5
Electrical	
Supply	115 VAC, 60 Hz
Service	10 amp circuit
Receptacle	3-prong grounding-type
Plumbing	
Supply	1/4" (6mm) comp. stainless steel braided hose
Pressure	Min 150 kPa (22 psi) Max 827 kPa (120 psi) @ 68°F (20°C)

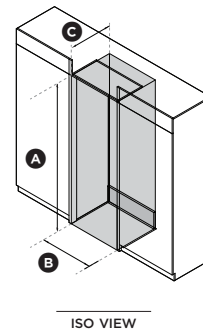
PLUMBING AND ELECTRICAL



PRODUCT DIMENSIONS



CAVITY DIMENSIONS: STANDARD INSTALLATION



		in	mm
(A)	Overall height of product	84"	2134
(B)	Overall width of product	29 3/4"	756
(C)	Overall depth of product (excl. front door panel)	24"	610
(D)	Depth of toekick (excl. front of door panel)	2 11/16" - 4"	68 - 101
(E)	Height of toekick*	2" - 6"	51 - 152
(F)	Depth of door (widest opening) measured from front of door	32"	813
(G)	Height of product front panel	79 7/8"	2029
(H)	Width of product front panel	29 3/4"	756
(I)	Depth of product front panel (excludes handles)	3/4"	19

		in	mm
(A)	Overall height of cavity	84"	2134
(B)	Overall width of cavity	30"	762
(C)	Minimum overall depth of cavity*	25"	635
	Minimum cabinetry gap clearance from edge of door panels	1/8"	3
	Minimum required finished return, sides and top of cavity	4"	102

*Assumes a door panel thickness of 3/4"

*Standard toekick height is 4" with the optional stainless door panel. For custom door panel installation, a custom toekick 2" - 6" can be manufactured and fitted by cabinetmaker. The custom door panel height needs to be adjusted accordingly.

FISHER & PAYKEL

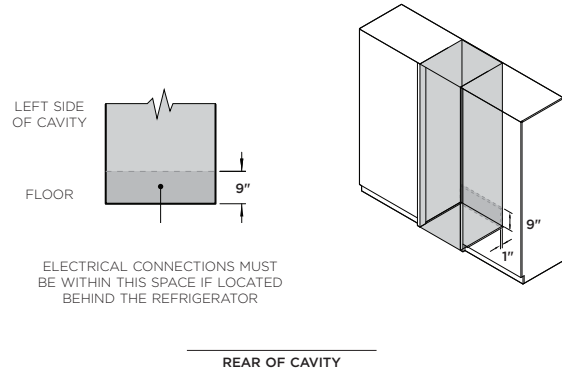
SPECIFICATION GUIDE

24" INTEGRATED COLUMN REFRIGERATOR

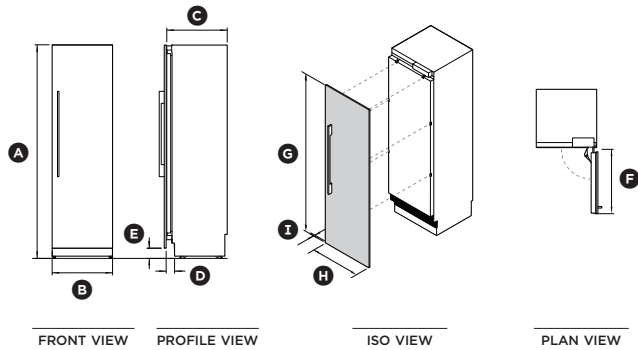
SPECIFICATIONS

Model No.	RS2484SR1, RS2484SRK1: Note – Left hand hinge models are a mirrored version of image shown. RS2484SL1, RS2484SLK1
Dimensions	H 84" x W 23 3/4" x D 24"
Door Clearance	26"
Weight	302 lbs (137kg)
Door Hinge	Hettich KO5
Electrical	
Supply	115 VAC, 60 Hz
Service	10 amp circuit
Receptacle	3-prong grounding-type

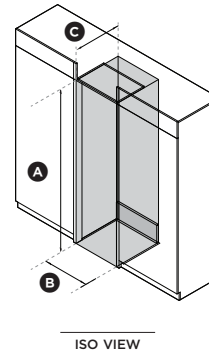
ELECTRICAL



PRODUCT DIMENSIONS



CAVITY DIMENSIONS: STANDARD INSTALLATION



		in	mm
(A)	Overall height of product	84"	2134
(B)	Overall width of product	23 3/4"	604
(C)	Overall depth of product (excl. front door panel)	24"	610
(D)	Depth of toekick (excl. front of door panel)	2 11/16" – 4"	68 – 101
(E)	Height of toekick*	2" – 6"	51 – 152
(F)	Depth of door (widest opening) measured from front of door	26"	660
(G)	Height of product front panel	79 7/8"	2029
(H)	Width of product front panel	23 3/4"	604
(I)	Depth of product front panel (excludes handles)	3/4"	19

		in	mm
(A)	Overall height of cavity	84"	2134
(B)	Overall width of cavity	24"	610
(C)	Minimum overall depth of cavity*	25"	635
	Minimum cabinetry gap clearance from edge of door panels	1/8"	3
	Minimum required finished return, sides and top of cavity	4"	102

*Assumes a door panel thickness of 3/4"

*Standard toekick height is 4" with the optional stainless door panel. For custom door panel installation, a custom toekick 2" – 6" can be manufactured and fitted by cabinetmaker. The custom door panel height needs to be adjusted accordingly.

FISHER & PAYKEL

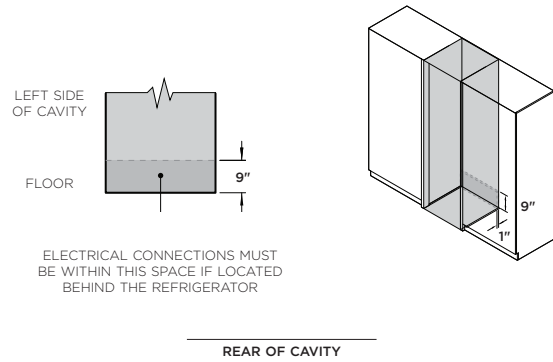
SPECIFICATION GUIDE

30" INTEGRATED COLUMN REFRIGERATOR

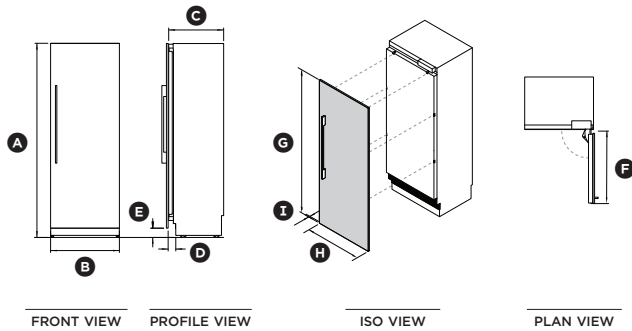
SPECIFICATIONS

Model No.	RS3084SR1, RS3084SRK1: Note — Left hand hinge models are a mirrored version of image shown. RS3084SL1, RS3084SLK1
Dimensions	H 84" x W 29 3/4" x D 24"
Door Clearance	32"
Weight	344 lbs (156kg)
Door Hinge	Hettich KO5
Electrical	
Supply	115 VAC, 60 Hz
Service	10 amp circuit
Receptacle	3-prong grounding-type

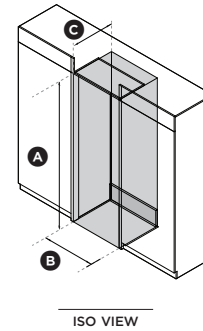
ELECTRICAL



PRODUCT DIMENSIONS



CAVITY DIMENSIONS: STANDARD INSTALLATION



		in	mm
(A)	Overall height of product	84"	2134
(B)	Overall width of product	29 3/4"	756
(C)	Overall depth of product (excl. front door panel)	24"	610
(D)	Depth of toekick (excl. front of door panel)	2 11/16" - 4"	68 - 101
(E)	Height of toekick*	2" - 6"	51 - 152
(F)	Depth of door (widest opening) measured from front of door	32"	813
(G)	Height of product front panel	79 7/8"	2029
(H)	Width of product front panel	29 3/4"	756
(I)	Depth of product front panel (excludes handles)	3/4"	19

		in	mm
(A)	Overall height of cavity	84"	2134
(B)	Overall width of cavity	30"	762
(C)	Minimum overall depth of cavity*	25"	635
	Minimum cabinetry gap clearance from edge of door panels	1/8"	3
	Minimum required finished return, sides and top of cavity	4"	102

*Assumes a door panel thickness of 3/4"

*Standard toekick height is 4" with the optional stainless door panel. For custom door panel installation, a custom toekick 2" - 6" can be manufactured and fitted by cabinetmaker. The custom door panel height needs to be adjusted accordingly.