

Freestanding Refrigerator Freezer, 79cm, 487L

Series 5 | Contemporary

Stainless Steel | Left hinge

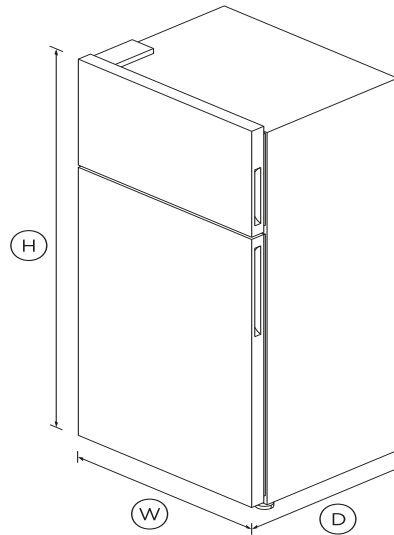


This stylish stainless steel refrigerator with freezer has generous storage for all your chilled and frozen foods.

- ActiveSmart™ technology helps keep food fresher for longer by constantly maintaining the ideal temperature.
- Top freezer for access to frozen goods without bending
- Choose which side you'd like your door hinge on to suit your kitchen layout

DIMENSIONS

Height	1720 mm
Width	790 mm
Depth	695 mm



FEATURES & BENEFITS

ActiveSmart™ Foodcare

ActiveSmart™ Foodcare learns how you live. It's technology which understands how you use your fridge and adjusts temperature, airflow and humidity inside to help keep food fresher for longer.

Easy cleaning

No more permanent dirty marks with our EZKleen feature for stainless steel refrigerators. Anti-fingerprint coating means you simply wipe clean any marks. Spill-safe secure glass shelves

easily capture any drips or leaks.

SPECIFICATIONS

Capacity

Freezer	97L
Refrigerator	390L
Total gross capacity	517L

Consumption

Energy rating	A+
Energy usage	375kWh/year

Freezer features

Door alarm	•
Door shelves	2
Glass shelves	•
Ice tray	2

Performance

ActiveSmart™ Foodcare	•
ActiveSmart™ technology	•
Adaptive defrost	•
Frost free	•
Frost free freezer	•
R600a refrigerant	•

Product dimensions

Depth	695 mm
Depth (including handles)	695 mm

Height	1720 mm
Height to top of cabinet	1720 mm
Minimum air clearance - at rear	30 mm
Minimum air clearance - each	20 mm
Minimum air clearance - on top	50 mm
Width	790 mm

currently available. ? Fisher & Paykel Appliances Ltd 2020

Refrigerator features

Adjustable door shelves	4
Adjustable glass shelves	4
Covered door shelves	2
Door alarm	•
Front levelling feet	•
Fruit and vegetable bins	1
Full width door shelves	2
Humidity control crispers	•
LED lighting	•
Rear rollers	•
Spill proof removable bins	•
Stackable bottle holders	2

Warranty

Parts and labour	5 years
------------------	----------------

SKU	25432
-----	--------------

TEST The product dimensions and specifications in this page apply to the specific product and model. Under our policy of continuous improvement, these dimensions and specifications may change at any time. You should therefore check with Fisher & Paykel's Customer Care Centre to ensure this page correctly describes the model

Other product downloads available at fisherpaykel.com

- [↓](#) User Guide
- [↓](#) Service & Warranty Booklet
- [↓](#) Installation Guide
- [↓](#) Resources (zip)
- [↓](#) Resources (zip)



A PEACE OF MIND SALE

24/7

24 Hours 7 Days a Week Customer Support

T 08000 886 605 Wwww.fisherpaykel.com