

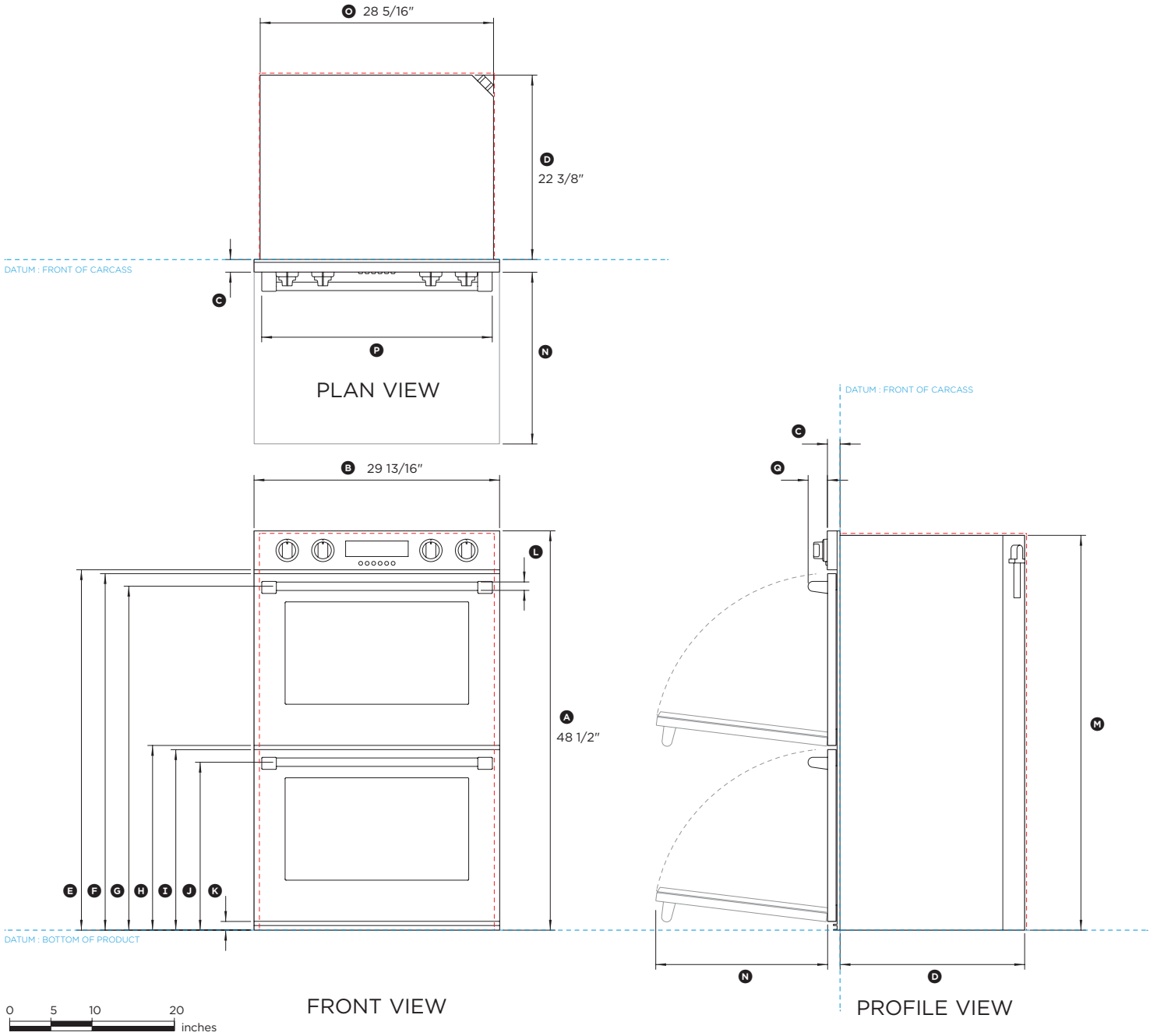
# FISHER & PAYKEL

## DATA SHEET 30" Professional Double Wall Oven

Model no:  
**WODV2-30**  
(refer page 2 for metric measurements)

Product Dimensions	in
Ⓐ Overall height of oven	48 1/2"
Ⓑ Overall width of oven	29 13/16"
Ⓒ Depth of oven front and control panel (excludes handle and dials)	1 9/16"
Ⓓ Depth of oven chassis (does not include oven front)	22 3/8"
Ⓔ Height from bottom datum to bottom of control panel	43 3/4"
Ⓕ Height from bottom datum to top of top door	43 5/16"
Ⓖ Height from bottom datum to centre of top handle	41 3/4"
Ⓗ Height from bottom datum to bottom of top door	22 7/16"
Ⓘ Height from bottom datum to top of bottom door	21 15/16"
Ⓚ Height from bottom datum to centre of bottom handle	20 3/8"
Ⓛ Height from bottom datum to top of vent	11/16"
Ⓜ Thickness of handles	1"
Ⓝ Height of chassis	47 15/16"
Ⓞ Depth of door (open) (measured from front of door)	20 7/8"
Ⓟ Overall width of chassis	28 5/16"
Ⓠ Width of handle	28"
Ⓡ Depth of handle (measured from front of door)	2 3/8"

Minimum Clearances	in
Minimum inside height of cavity from bottom datum	48 3/16"
Minimum inside width of cavity	28 1/2"
Minimum inside depth of cavity from front datum	22 5/8"



INDICATES PRODUCT DATUM .....  
INDICATES CLEARANCES .....

DATE: 24.04.2018

IMPORTANT: Throughout this guide, dimensions may vary by ±2mm (1/16"). Read the installation guide for detailed information on installing the product. For full installation instructions and specifications visit [fisherpaykel.com](http://fisherpaykel.com)

# FISHER & PAYKEL

## DATA SHEET 30" Professional Double Wall Oven

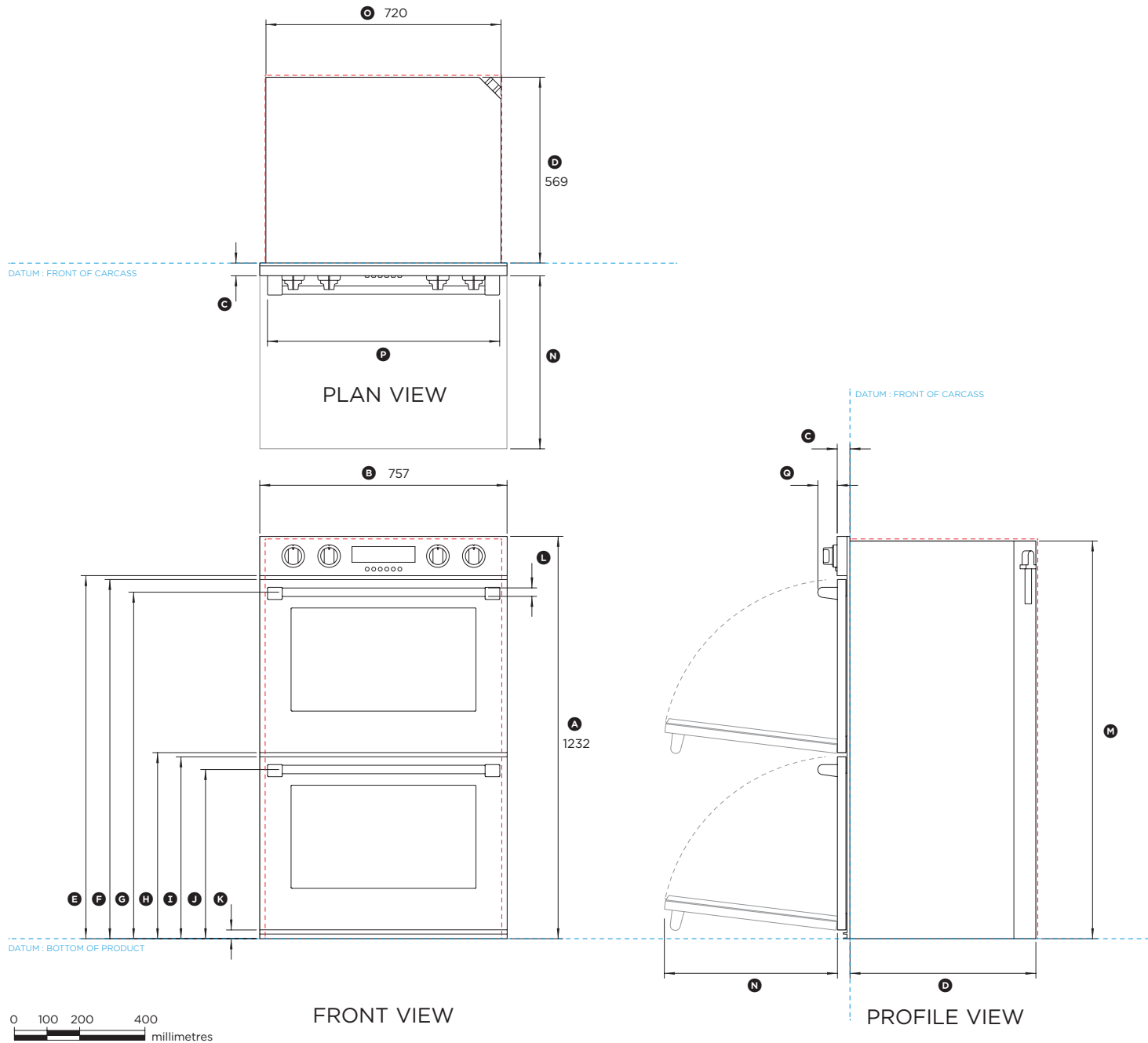
Model no:

**WODV2-30**

(refer page 1 for imperial measurements)

Product Dimensions	mm
Ⓐ Overall height of oven	1232
Ⓑ Overall width of oven	757
Ⓒ Depth of oven front and control panel (excludes handle and dials)	39
Ⓓ Depth of oven chassis (does not include oven front)	569
Ⓔ Height from bottom datum to bottom of control panel	1112
Ⓕ Height from bottom datum to top of top door	1100
Ⓖ Height from bottom datum to centre of top handle	1061
Ⓗ Height from bottom datum to bottom of top door	570
Ⓙ Height from bottom datum to top of bottom door	557
Ⓚ Height from bottom datum to centre of bottom handle	518
Ⓛ Height from bottom datum to top of vent	27
Ⓜ Thickness of handles	26
Ⓝ Height of chassis	1218
Ⓟ Depth of door (open) (measured from front of door)	530
Ⓞ Overall width of chassis	720
Ⓟ Width of handle	711
Ⓠ Depth of handle (measured from front of door)	60

Minimum Clearances	mm
Minimum inside height of cavity from bottom datum	1224
Minimum inside width of cavity	724
Minimum inside depth of cavity from front datum	575



DATE: **24.04.2018**

IMPORTANT: Throughout this guide, dimensions may vary by  $\pm 2\text{mm}$  (1/16"). Read the installation guide for detailed information on installing the product. For full installation instructions and specifications visit [fisherpaykel.com](http://fisherpaykel.com)