

Oven, 60cm, 7 Function

Series 5 | Contemporary

Stainless Steel

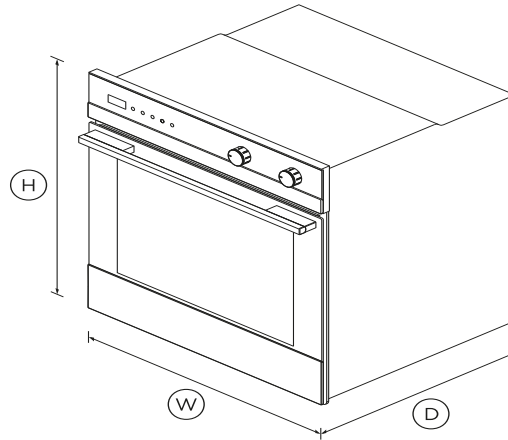


With generous capacity and beautiful contemporary styling, this built-in oven will complement your kitchen design perfectly.

- 85L total capacity
- Seven functions including Pastry Bake

DIMENSIONS

Height	598 mm
Width	597 mm
Depth	565 mm



FEATURES & BENEFITS

Cooking flexibility

This built-in oven has nine functions with pre-set temperatures, including Bake, Fan Bake and Fan Forced allowing you to use a variety of cooking styles.

Sized to suit

Designed for multi-shelf cooking, this is one of the largest built-in ovens on the market providing 85L of total capacity. The higher internal cavity allows you to fit a large casserole dish, the family roast and a pie for dessert.

SPECIFICATIONS

Accessories

Catalytic panels	Sides
Contemporary round handle kit	Part number 81645
Flat wire shelf	1
Roasting dish and grill rack set	1

Capacity

Shelf positions	6
Total capacity	85L
Usable capacity	72L

Cleaning

Acid resistant graphite enamel	•
Drop down grill element	•
Removable oven door inner	•
Removable shelf runners	•
Self-cleaning catalytic liners	Sides

Consumption

Energy rating	A
---------------	---

Controls

Automatic cooking/minute	•
Electronic capacitive touch	•
Electronic clock	•
Halogen lights	25W

Functions

Bake	•
Classic bake	•
Fan bake	•
Fan forced	•
Fan grill	•
Grill	•
Number of functions	7
Pastry Bake	•

Parts and labour **5 years**SKU **81530**

The product dimensions and specifications in this page apply to the specific product and model. Under our policy of continuous improvement, these dimensions and specifications may change at any time. You should therefore check with Fisher & Paykel's Customer Care Centre to ensure this page correctly describes the model currently available. © Fisher & Paykel Appliances Ltd 2019.

Performance

AeroTech™ technology	•
Grill power	3000W
Whisper quiet cooking	•

Power requirements

Amperage	13.5A
----------	--------------

Product dimensions

Depth	565 mm
Height	598 mm
Width	597 mm

Safety

Advanced cooling system	•
Balanced oven door	•
CoolTouch door	•
Non-tip shelves	•

Warranty**Other product downloads available at fisherpaykel.com**

User Guide



Service & Warranty Booklet



Installation Guide



Resources (zip)

**A PEACE OF MIND SALE****24 Hours 7 Days a Week Customer Support****T 1300 650 590 W www.fisherpaykel.com**