

FISHER & PAYKEL

DOUBLE DISHDRAWER™ DISHWASHER

INTEGRATED

DD24DHTI9, DD24DTI9, DD24DI9

INSTALLATION GUIDE

US CA

⚠ WARNING!

Electric Shock Hazard

Failure to follow this advice may result in electrical shock or death.

- Fitting an integrated panel requires access to electrical service areas. This must be performed by a Fisher & Paykel trained and supported service technician or qualified person.
- Before fitting the front panel, the dishwasher must be disconnected from the power supply.
- After installing the front panel, the installer must ensure that the following components are electrically earthed: the panel bracket and any custom metal component (e.g. handle) that extends past the rubber seal.
- This appliance must be earthed. In the event of a malfunction or breakdown, earthing will reduce the risk of electric shock by providing a path of least resistance for electric current. This appliance is equipped with a cord having an equipment-earthing conductor and an earthing plug.
- Before installing the DishDrawer™ Dishwasher, remove the house fuse or open the circuit breaker.
- The plug must be plugged into an appropriate outlet that is installed and earthed in accordance with all local codes and ordinances.
- Do not modify the power supply plug provided with the appliance - if it will not fit the outlet, have a proper outlet installed by a qualified electrician. Do not use an extension cord, adapter plug or multiple outlet box.
- The dishwasher must be completely enclosed at the time of installation.



⚠ WARNING!

Electric Shock Hazard

Failure to follow this advice may result in electrical shock or death.



- **WARNING** - Improper connection of the equipment-earthing conductor can result in a risk of electric shock. Check with a qualified electrician or service representative if you are in doubt as to whether the appliance is properly earthed.

⚠ WARNING!

Cut Hazard

Failure to use caution could result in injury.



- Take care - panel edges are sharp.

⚠ WARNING!

Tip Hazard

Failure to follow this advice may result in injury or product damage.



- Take care when removing product from packaging.
- If drawers are pulled open while product is not secured to cabinetry, product may tip.

WARNING!

To reduce the risk of fire, injury to persons or damage when using the appliance, follow the important safety instructions listed below. Read all the guidance before using the appliance.

Servicing

- Do not repair or replace any part of the appliance unless specifically recommended in this guide. All other servicing should be undertaken by a Fisher & Paykel trained and supported service technician or qualified person.

Installation

- Installation of this DishDrawer™ Dishwasher requires basic mechanical and electrical skills.
- Installation must comply with your local building and electricity regulations.
- Remove all packaging materials supplied with the dishwasher.
- Be sure to leave these Instructions with the Customer.
- At the completion of the installation, the Installer must perform the Final Checklist.
- This dishwasher is manufactured for indoor use only.
- Ensure all water connections are turned OFF. It is the responsibility of the plumber and electrician to ensure that each installation complies with all Codes and Regulations.
- The DishDrawer™ Dishwasher MUST be installed to allow for future removal from the enclosure if service is required.
- The switched power outlet must be outside the dishwasher cavity, so that it is accessible after installation.
- Care should be taken when the appliance is installed or removed to reduce the likelihood of damage to the power supply cord and hoses.
- If the DishDrawer™ Dishwasher is relocated from one installation site to another it must be kept upright to avoid damage from water spillage.
- Ensure only supplied hoses are used for connection. Old hoses should not be reused.
- Failure to install correctly could invalidate any warranty or liability claims.
- If the product is installed in a motor vehicle, boat or similar mobile facility, you must bring the vehicle, boat or mobile facility containing the product to the service shop at your expense or pay the service technician's travel to the location of the product.

SAVE THESE INSTRUCTIONS

The models shown in this installation guide may not be available in all markets and are subject to change at any time. For current details about model and specification availability in your country, please go to our website www.fisherpaykel.com or contact your local Fisher & Paykel dealer.

TOOLS AND COMPONENTS

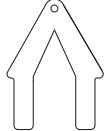
PARTS SUPPLIED

- Keep all packing materials until the unit has been inspected.
- Inspect the product to ensure there is no shipping damage. If any damage is detected contact the dealer or retailer you bought the product from to report the damage.
- Fisher & Paykel is not responsible for shipping damage.

Supplied



Side mounting bracket kits (2)*



Top mounting bracket kit (1)*



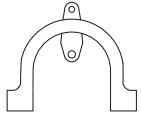
Moisture protection tape (1)



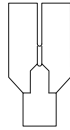
5/8" (16mm) Phillips screws (32)



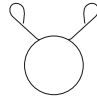
Inlet hose rubber washer (1)**



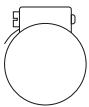
Drain hose support (1)



Drain hose joiner (1)



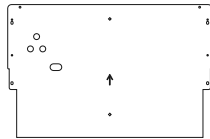
Wire clip (2)



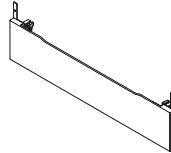
Clamp (1)



Hex socket (2)



Panel bracket kits (2)**



Prefinished toe kick (1)



Toe kick cutting template** (1)



Toe kick mounting bracket

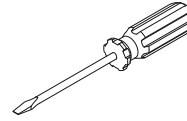


Toe kick screws (5)

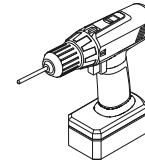
*optional | **comes fitted to the product

TOOLS REQUIRED

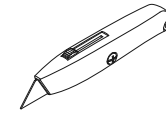
Not supplied



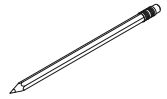
Flat-blade screwdriver



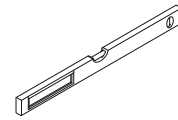
Powered driver



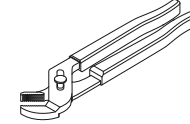
Box cutter



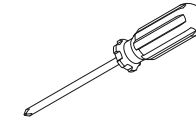
Pencil



Level



Pliers



Phillips screwdriver

INSTALL VIDEO

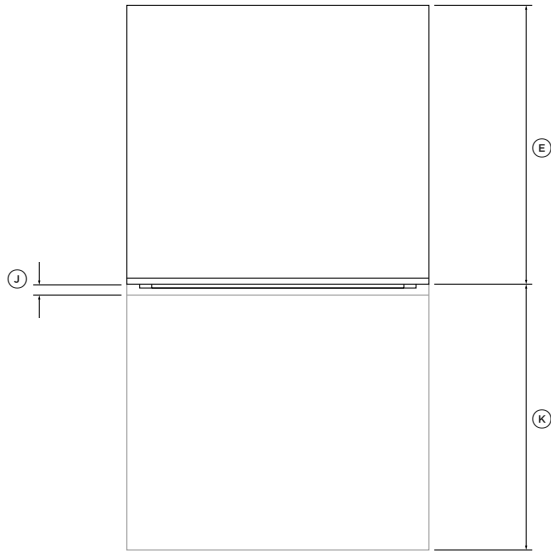
This video provides an overview of what is needed to install a DishDrawer™ Dishwasher. It is intended as an overview only of the installation process and is not intended to be used as a standalone guide on how to install a DishDrawer™ Dishwasher yourself. Installation should be undertaken by a Fisher & Paykel trained and supported service technician or qualified person.



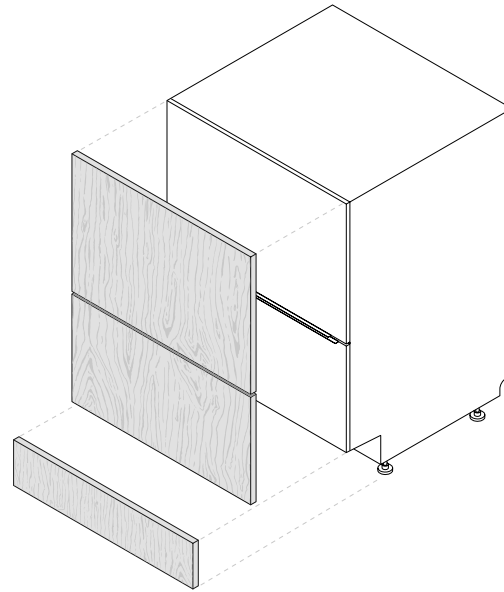
To access installation videos

Scan the QR code with your smartphone or watch online at:
fisherpaykel.com/dishdrawer-install

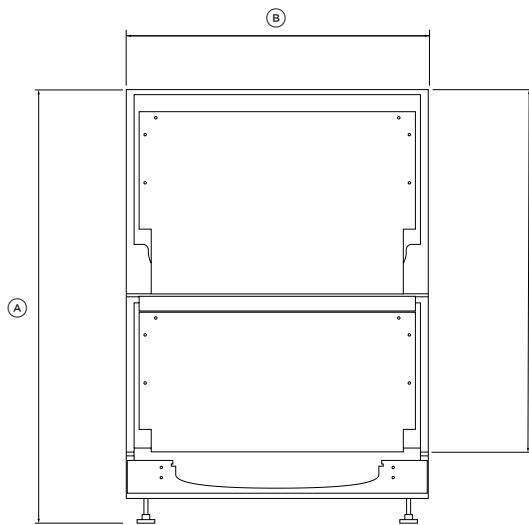
PRODUCT DIMENSIONS



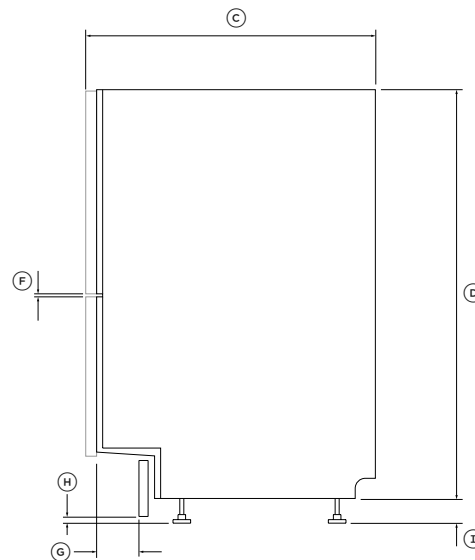
PLAN



ISOMETRIC



FRONT



PROFILE

PRODUCT DIMENSIONS	INCHES	MM
Ⓐ Overall height*	32 1/4 - 34 5/8	820 - 880
Ⓑ Overall width**	23 9/16	599
Ⓒ Overall depth***	22 1/2	571
Ⓓ Height of chassis	31 15/16	811
Ⓔ Depth of chassis	21 3/4	553
Ⓕ Ventilation gap between door panels	5/16	8
Ⓖ Depth of toe kick recess**		
• Custom panel installation	1 9/16 - 3 15/16	40 - 100
• Pre-finished panel installation	1 1/2 - 4	38 - 102
Ⓗ Minimum clearance between toe kick panel and floor	1/2	12
Ⓘ Height of feet*	3/8 - 2 3/4	9 - 69
Ⓙ Door panel depth****	5/8 - 13/16	16 - 20
Ⓚ Depth of drawer opening**	20 3/4	527

*depending on adjustment of levelling feet

**excluding custom panel and handle

***based on front panel thickness of 3/4" (19mm)

****refer to 'Custom panel dimensions' for more information

Actual product dimensions may vary by ± 1/16" (2mm)

CUSTOM PANEL DIMENSIONS

Material specifications

- Maximum weight of door panels must not exceed 20lbs (9kg) (including handle)
- The panel should be adequately sealed to withstand moisture 122°F (50°C) @ 80% RH). The back and sides of the panel should be completely sealed with a waterproof vapour barrier, such as polyurethane, to prevent damage.
- The back of the panel should be completely flush so that the seal between the panel and the rubber trim is maintained. The door panel should not rest on the surrounding cabinetry.
- Installation outside these specifications may result in condensation on cabinetry surfaces.

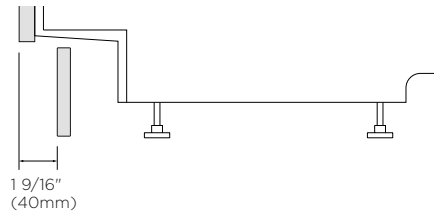
Toe kick profile

- Depending on the desired toe kick recess depth, the toe kick panel may need to be cut to clear the underside of the tub.
- A cutting template has been supplied with your DishDrawer and digital templates can be downloaded from fisherpaykel.com. For guidance on using the provided template, refer to 'prepare custom toe kick panel'.
- Toe kick panel height can be determined by using the below:

$$\text{cavity height} - \text{upper panel extension} - 29 \frac{1}{2}'' (750\text{mm}) - \text{floor clearance} = \text{toe kick height}$$

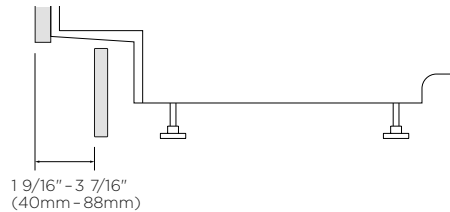
No cut profile

Recess of 1 9/16" (40mm)*



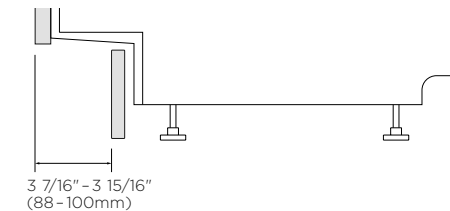
Cut profile A

Recess of 1 9/16" - 3 7/16" (40mm - 88mm)*

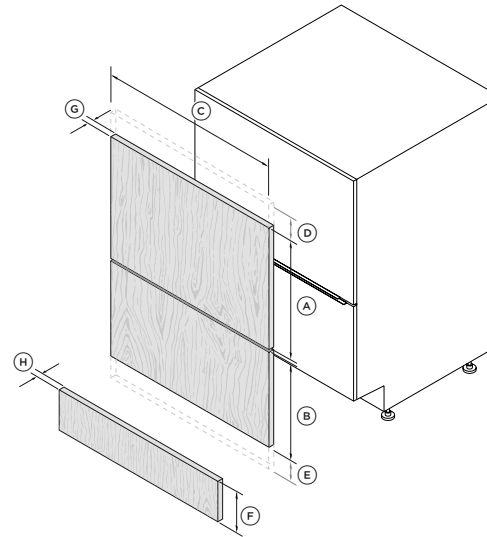


Cut profile B

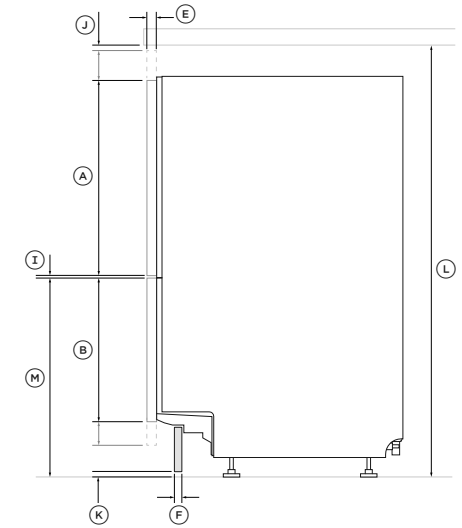
Recess of 3 7/16" - 3 15/16" (88 - 100mm)*



*based on a door panel depth of 3/4" (19mm)



ISO



PROFILE

CUSTOM PANEL CONSIDERATIONS

	INCHES	MM
(A) Minimum upper door panel height*	15 11/16	398
(B) Minimum lower door panel height*	12 1/4	311
(C) Minimum door panel width	23 7/16	596
(D) Maximum extension of upper panel	-	-
(E) Maximum extension of lower panel	2	50
(F) Toe kick panel height*	2 1/4 - 4 5/8	58 - 118
(G) Door panel depth	5/8 - 13/16	16 - 20
(H) Minimum toe kick panel depth**	3/8	9
(I) Minimum clearance between door panels	5/16	8
(J) Minimum clearance between top of door panel and countertop	1/16	2
(K) Minimum clearance between toe kick panel and floor	1/2	12
(L) Minimum inside cavity height	32 1/4	820
(M) Minimum height from floor to top of bottom drawer panel***	16 5/16	414
Maximum weight of each drawer panel (including handle)	2lbs	9kg

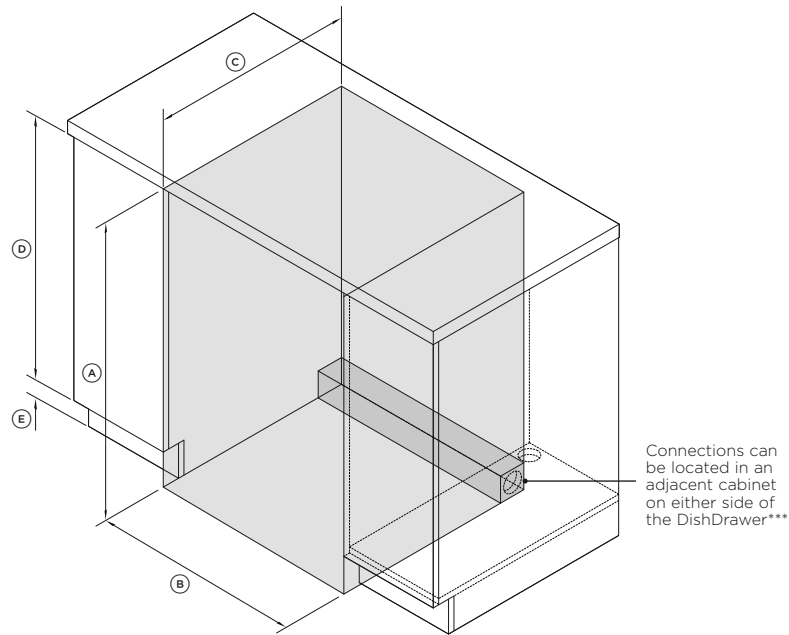
*the top door panel may be extended up, or the bottom panel down from the fixed gap. Toe kick panel should be adjusted accordingly.

**if using supplied toe kick mounting screws. Panel can be fixed via screwing or gluing to the supplied mounting bracket.

***depending on adjustment of levelling feet

CABINERY

DIMENSIONS



ISOMETRIC

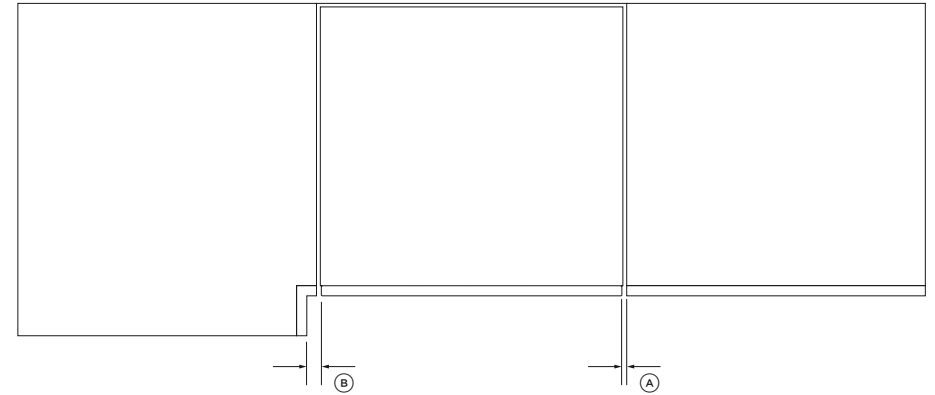
CABINERY DIMENSIONS	INCHES	MM
Ⓐ Minimum inside height*	32 1/4	820
Ⓑ Inside width	23 5/8 - 24	600 - 610
Ⓒ Minimum overall depth**	22 13/16	579
Ⓓ Recommended height of adjacent cabinetry	28 3/8	720
Ⓔ Height of toe kick area***	3 15/16 - 6 5/16	100 - 160

*depending on adjustment of levelling feet

**including 3/4" (19mm) door panels on adjacent cabinetry

***for more information on service requirements, refer to 'Plumbing & electrical considerations' and 'Cabinetry preparation'

CLEARANCES



PLAN

CABINERY CLEARANCES	INCHES	MM
Ⓐ Minimum clearance to adjacent cupboard door	1/16	2
Ⓑ Minimum clearance to corner cupboard	1/2	13

PLUMBING & ELECTRICAL CONSIDERATIONS

Hose and cord lengths

- Your services can be installed to **either** the left-hand or right-hand side of the product in an adjacent cabinet. Refer to 'Preparation' for service access requirements.
- If the drain hoses supplied are not long enough to reach your services, you may purchase a Fisher & Paykel drain hose extension kit which will extend the drain hoses by 3.6m (part number 525798).

Water connection

- Recommended water temperature: Cold (maximum 140°F (60°C))
- 3/4" BSP (GB20) to suit flat washer
- Ensure water connection complies with local plumbing regulations.

Water pressure

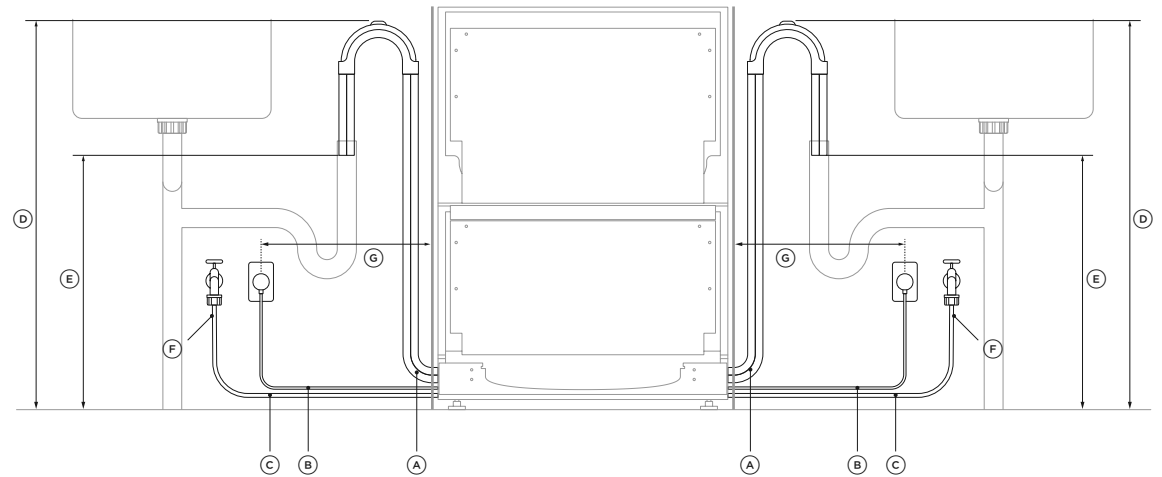
- Water softener models: max. 1 MPa (145 psi), min. 0.1 MPa (14.5 psi)
- Non-water softener models: max. 1 MPa (145 psi), min. 0.03 MPa (4.3 psi)

Electrical requirements

- 220–240V min 8.5A

Kosher requirements

- Drains will need to be separated to satisfy kosher requirements.
- We recommend confirming the acceptability with your local rabbi in respect to kosher installations.



SERVICE DIMENSION	LEFT SIDE*		RIGHT SIDE*	
	INCHES	MM	INCHES	MM
Ⓐ Length of drain hoses	78 1/2	2000	70 7/8	1800
Ⓑ Length of power cord**	64 15/16	1650	64 15/16	1650
Ⓒ Length of inlet hose	64 3/4	1650	49	1250
Ⓓ Minimum distance from floor to top of hose support	29 1/2–34 3/4	750–883	29 1/2–34 3/4	750–883
Ⓔ Minimum distance from floor to end of drain hoses***	19 11/16	500	19 11/16	500
Ⓕ Minimum inlet hose radius	7 7/8	200	7 7/8	200
Ⓖ Maximum distance from cabinetry centre of electrical outlet	17 11/16	450	17 11/16	450
Ⓗ Maximum distance from floor to top of Air Break	37 3/8	950	37 3/8	950

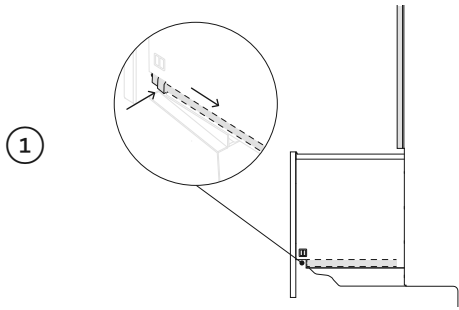
*dimensions taken from the chassis edge where applicable

**excluding plug

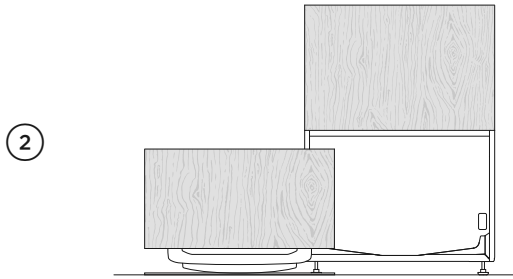
***standpipe install illustrated. Distance is the same for sink trap installations.

HARD-WIRING (OPTIONAL)

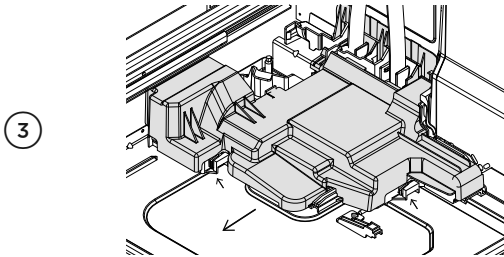
You have the option to hard-wire your DishDrawer™ Dishwasher. To do this, we recommend to remove the supplied power cord and do the hardwiring installation as close to the cavity as possible. Ensure only copper conductors are used.



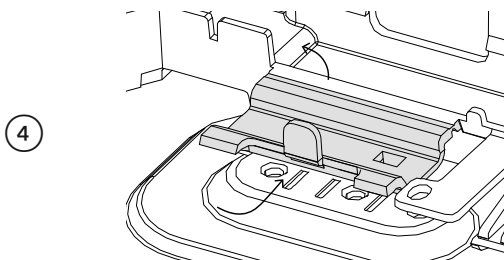
1 Open the lower drawer and press both locking tabs back to release.



2 Lift the drawer off the runners and carefully set aside on a protected surface. Push runners back in. Take care not to pull drawer out too far to prevent any strain on the hoses. Where possible, protect the base of the tub to prevent damage.

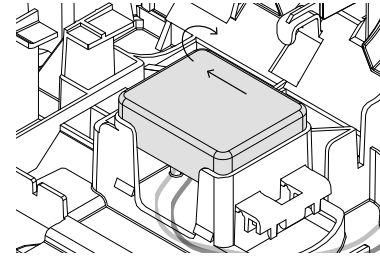


3 With a flat-bladed screwdriver, push in the clips and slide out the access cover.



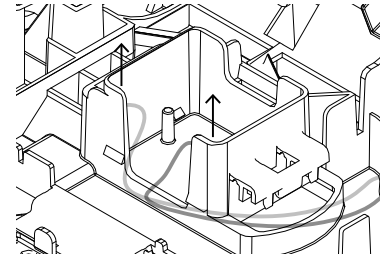
4 With a screwdriver, unclip the plastic harness cover and hinge open.

5



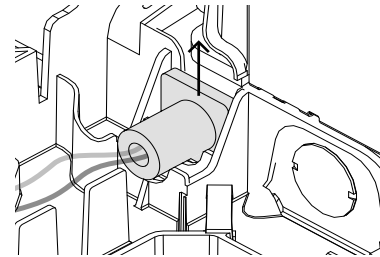
5 Slide the terminal block cover sideways to unlock and hinge open to access the terminal block.

6



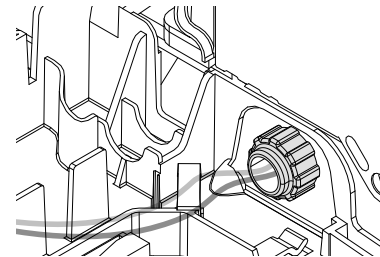
6 Unscrew the Live, Neutral and Earth wires as shown.

7



7 Safely cut the cord from the inside **and outside** of the product to remove the cord.

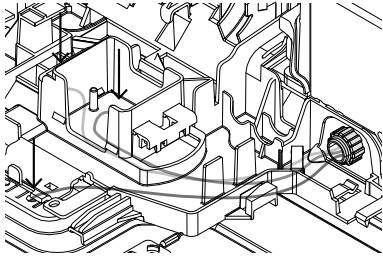
8



8 Fit a suitable cable clamp for the conduit through the metal knockout. Ensure wiring is routed through or under under housing ribs.

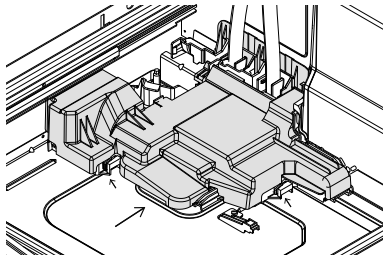
HARD WIRING (OPTIONAL)

9



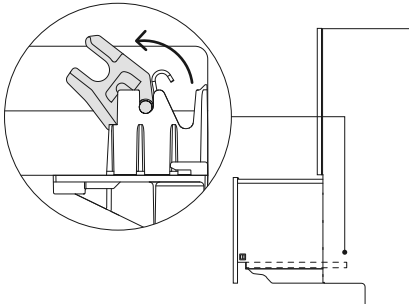
Screw down the Live, Neutral and Earth wires correctly.

10



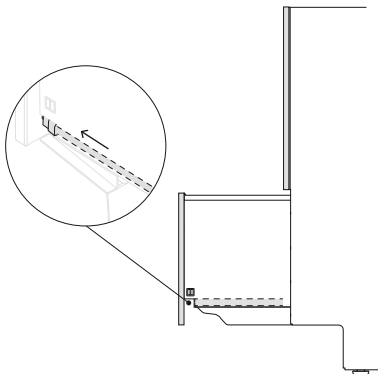
Refit module cover before sliding the access cover back into place, ensuring the 2 clips shown are fully locked.

11



Before refitting the drawers, ensure the hoses are not twisted and all latches are facing forward.

12

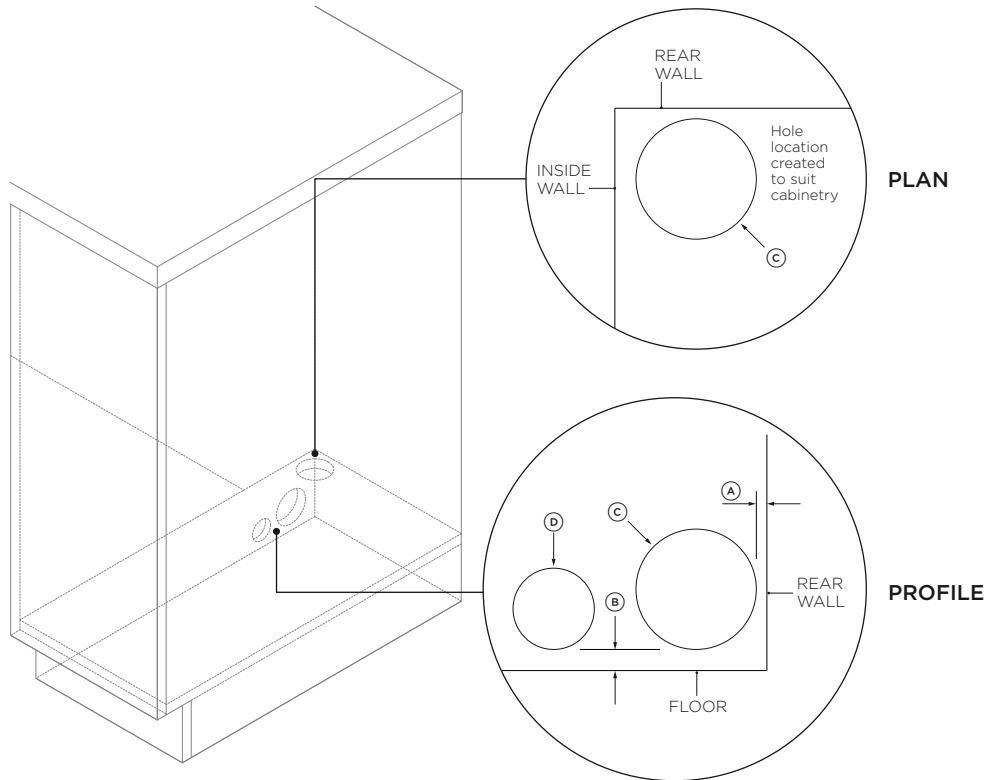


Refit the drawer back onto the runners, ensure both runners are extended halfway before lowering the tub. Slide the runners forward to engage.

PREPARATION

SERVICE ACCESS

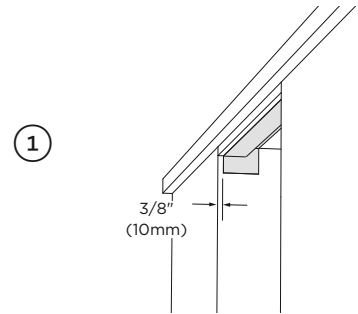
- We recommend locating the service holes on either side of the DishDrawer™ Dishwasher as shown below.
- If the holes are created through wood, ensure the edges are smooth and rounded
- If the holes are created through metal, ensure the supplied edge protector is fitted.
- Ensure power cord is routed through a separate service hole to the hoses.



SERVICE HOLE DIMENSIONS

	INCHES	MM
Ⓐ Maximum distance between rear of cavity and service hole	1/4	5
Ⓑ Maximum distance between floor and service hole	1/2	10
Ⓒ Minimum diameter of hose service hole	2 1/4	57
Ⓓ Maximum diameter of power cord service hole	1 1/2	38

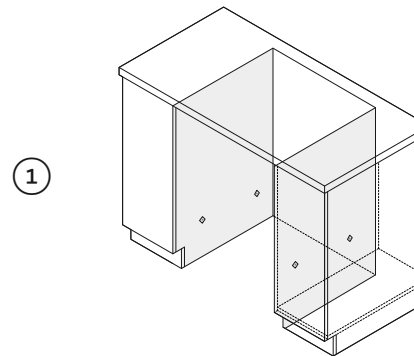
MOISTURE PROTECTION



Align the supplied moisture protection tape to the cabinetry as illustrated

Ensure this area is free of debris before carefully applying the tape to the surface.

SIDE PARTITION



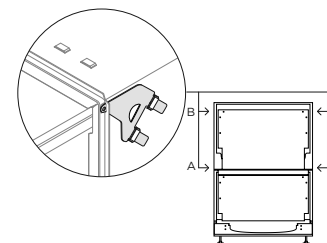
If securing via the drawer removal method, ensure the marked locations provide adequate support.

If there are no side partitions, construct timber bracing to secure the fixings to.

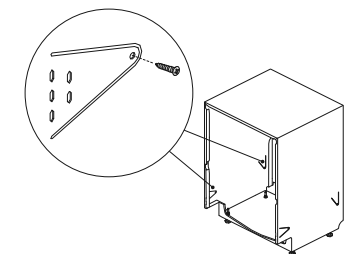
SELECT CABINETRY SECURING METHOD

METHOD A Secure to cabinetry via brackets

Recommended method*

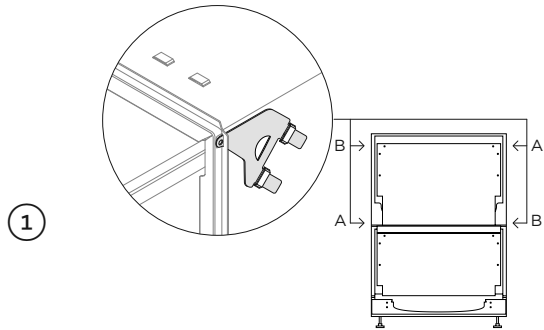


METHOD B Secure via drawer removal



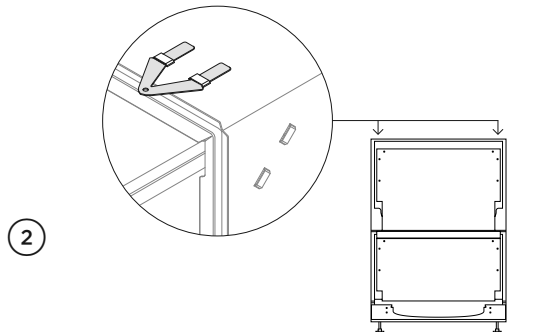
*frameless cabinetry only

PUSH THE PRODUCT INTO THE CAVITY



If securing to cabinetry via method A
Secure all four side brackets to the DishDrawer™ Dishwasher, aligning bracket A with slot A and bracket B with slot B.

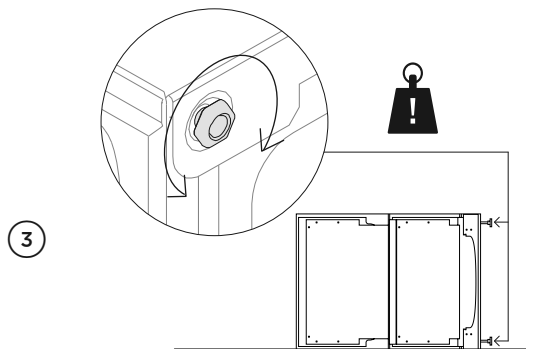
Ensure the ends of the brackets are not pushed into the chassis.



Optionally, fit the two top brackets.

Ensure the ends of the brackets are not pushed into the chassis.

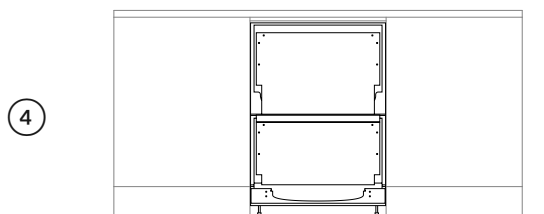
Loosen each foot by 1/2 a turn by lightly tilting the product and rotating each leg anticlockwise.



Level the DishDrawer™ Dishwasher by carefully tipping it onto protected surface.

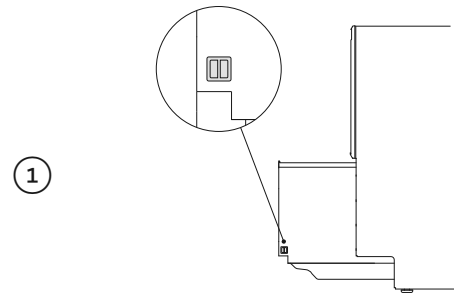
Rotate each leg anticlockwise to increase the height, and clockwise to decrease. Stand upright when complete.

Minor adjustments can be made by lightly tilting the product and rotating each leg as desired.

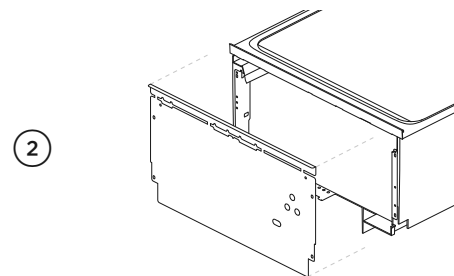


Push the product into the cavity, pulling the hoses through as you push to avoid crushing or twisting them and taking care not to bend the legs.

FIT CUSTOM DOOR PANELS

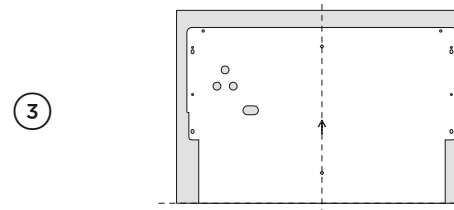


Remove both side pins from each drawer by pulling the pins out towards you.

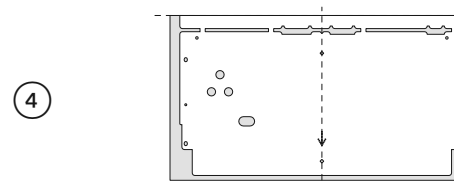


Carefully pull both brackets from DishDrawer™ Dishwasher down and out before unplugging the Knock-to-Pause modules and earth wires.

Remove the Knock-to-Pause modules from the back of the brackets.



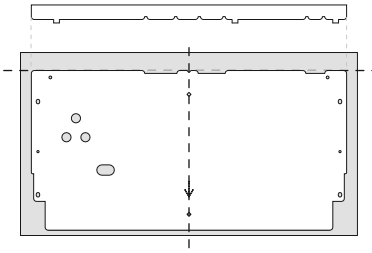
On the back of the upper panel, mark the centre and align the base of the upper bracket with the base of the panel. Secure using a minimum of 3 screws on either side.



On the back of the lower panel, mark the centre and align the top of the upper bracket with the top of the panel. Secure using a minimum of 3 screws on either side.

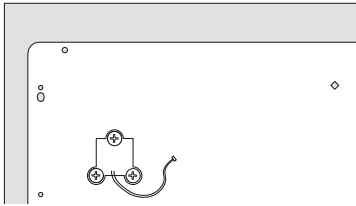
FIT CUSTOM DOOR PANELS

5



Snap the bracket tab to remove.

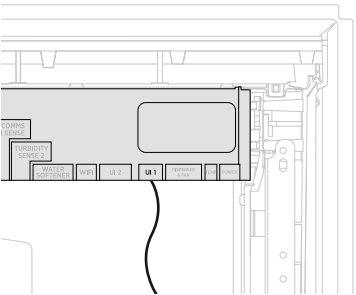
6



Attach the Knock-to-Pause module to the panels as shown.

Ensure the Knock-to-Pause modules are oriented correctly and are not in contact with the brackets before securing.

7

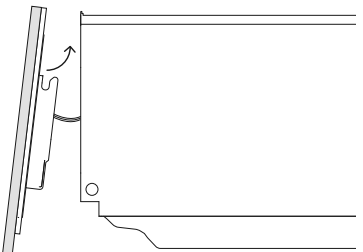


Electric shock hazard:

To earth the panel bracket, connect the earth wire from the product to one of the tabs. Any custom metal components (e.g. handle) that extend past the rubber seal must be earthed also.

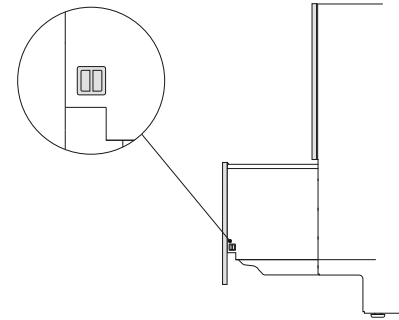
Reconnect the Knock-to-Pause module to the UI 1 slot on the wash controller as shown. Reconnect the earth wire to the panel bracket.

8



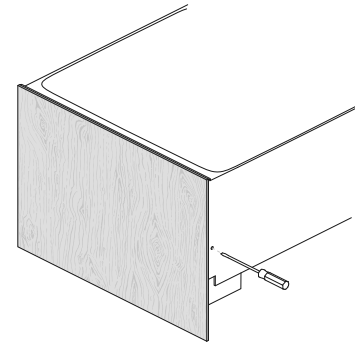
Carefully fit the panels onto the product. When refitting the lower panel, we recommend pushing back the drawer slides as shown on 15 for access.

9



Re-insert the side pins on both drawers and push firmly to secure panels in place.

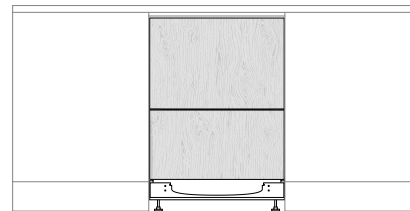
10



Insert a Phillips screwdriver into the hole above each side pin and rotate to adjust the panel alignment. There is a maximum travel distance of $\pm 1/16''$ (2mm).

Repeat for both sides and drawers if required.

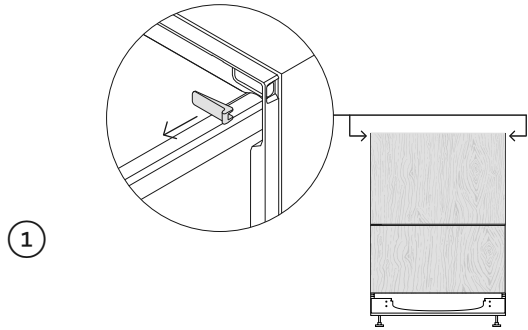
11



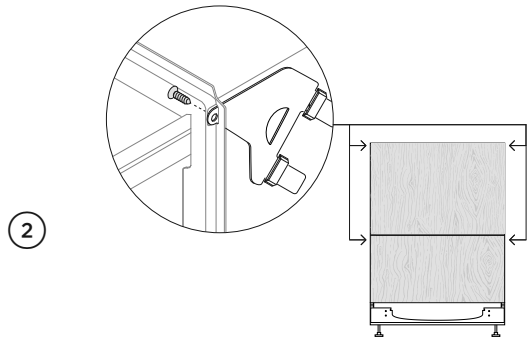
Re-check clearances.

Ensure the minimum clearance gap of 5/16'' (8mm) between panels is maintained after all adjustments have been made.

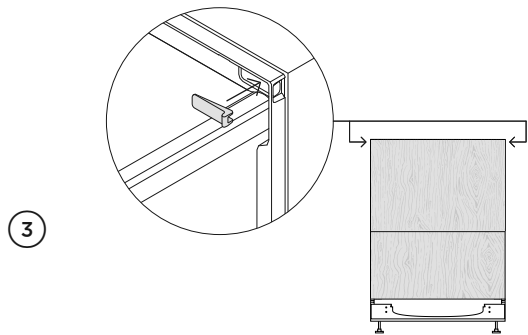
SECURE TO CABINERY VIA BRACKETS (METHOD A)



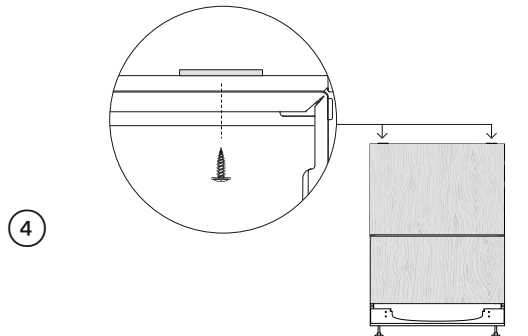
1 Partially open one of the drawers and remove the first screw cover from the trim moulding.



2 Secure to cabinetry via the brackets. Pre-drilling a pilot hole may be required depending on the cabinetry material.

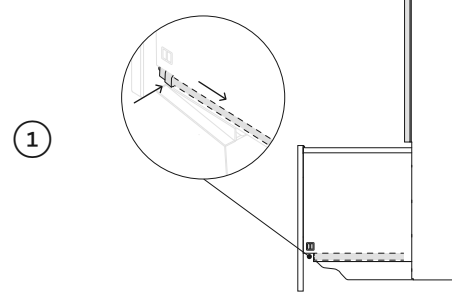


3 Replace the trim cover and repeat for the remaining brackets.

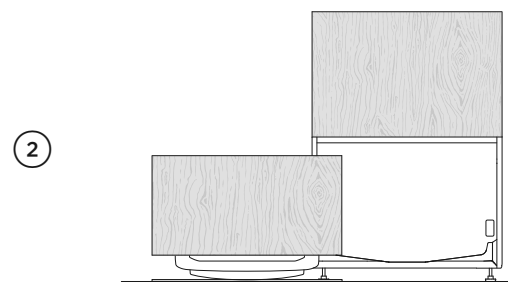


4 If fitted, secure the two top brackets to the cabinetry.

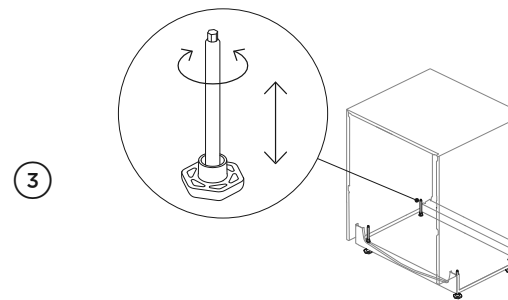
SECURE TO CABINERY VIA DRAWER REMOVAL (METHOD B)



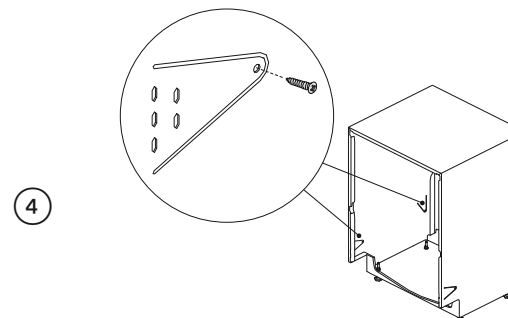
1 Open the lower drawer and press both locking tabs back to release.



2 Lift the drawer off the runners and carefully set aside on a protected surface. Push runners back in. Take care not to pull drawer out too far to prevent any strain on the hoses. Where possible, protect the base of the tub to prevent damage.



3 Using your hand or the supplied hex socket and a screwdriver, level the DishDrawer™ Dishwasher as required. Rotate clockwise to increase the height of each leg and anticlockwise to lower. It can help to reduce the loading on the feet to assist the adjustment process.

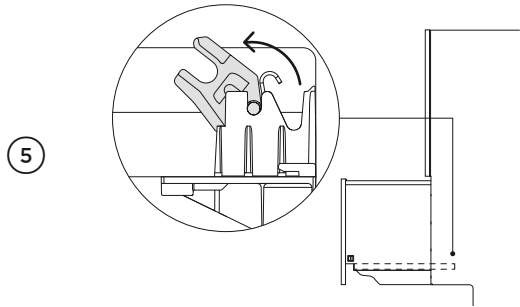


4 Secure to cabinetry via all four fixing locations in the chassis.

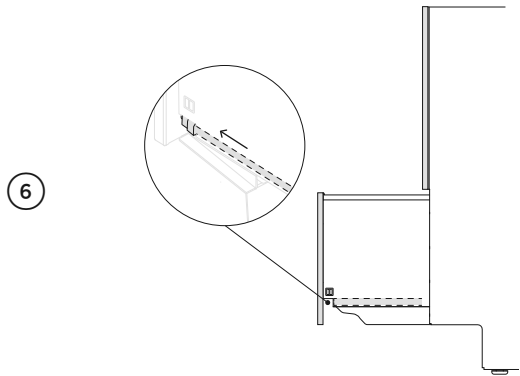
Ensure sound insulation is replaced correctly.

If fitted, secure the two top brackets to the cabinetry.

SECURE TO CABINETRY VIA DRAWER REMOVAL (METHOD B)

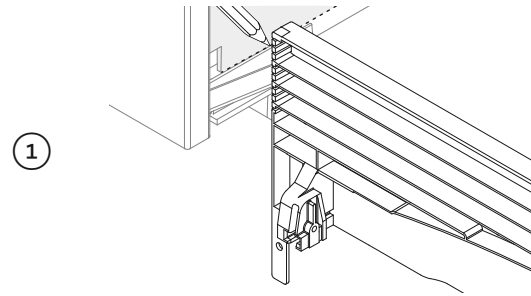


5 Before refitting the drawers, ensure the hoses are not twisted and all latches are facing forward.

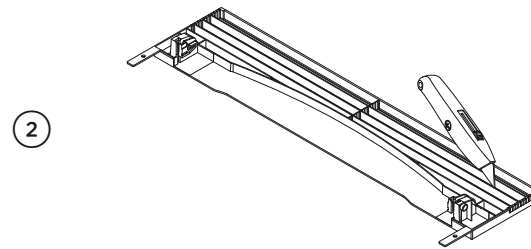


6 Refit the drawer back onto the runners, ensure both runners are extended halfway before lowering the tub. Slide the runners forward to engage.

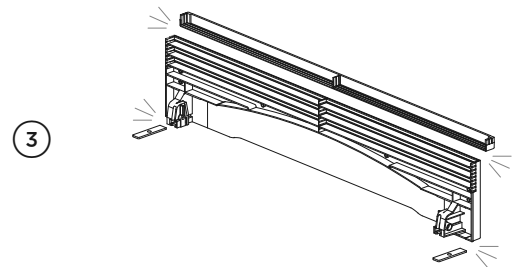
INSTALL PRE-FINISHED TOE KICK



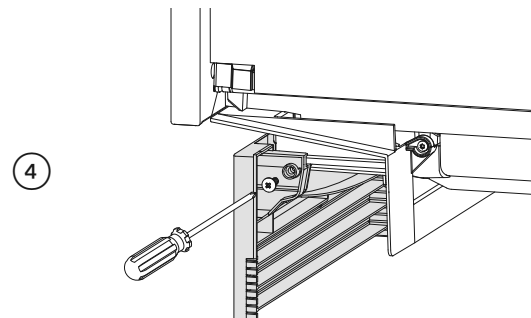
1 Measure toe kick height. Where the toe kick meets the bottom of the tub is the recommended cut-off point.



2 Carefully score toe kick at desired height



3 Snap excess + smooth edges. Snap both end tabs.

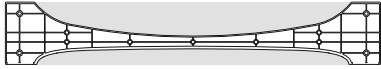


4 Slide toe kick onto the mounting rails and secure
Do not over tighten the screws.

INSTALL CUSTOM TOE KICK

If the depth of your toe kick recess is greater than 1 9/16" (40mm), the toe kick panel may need to be cut to one of the predetermined profiles to clear the underside of the tub. Refer to 'custom panel dimensions' for more information on determining which profile is suited to your install.

①



Align the desired cut profile to the top of the toe kick panel and centre horizontally.

②



Secure the template to the panel by clamping or using the supplied mounting screws.

③



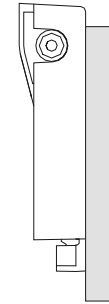
Carefully cut or router the panel to the desired profile using the cutting template as a guide.

④



Carefully remove the cutting template and set aside the mounting screws*. Discard cutting template responsibly.
Ensure all panel edges are sealed to withstand moisture (122°F (50°C) @ 80% RH).

①



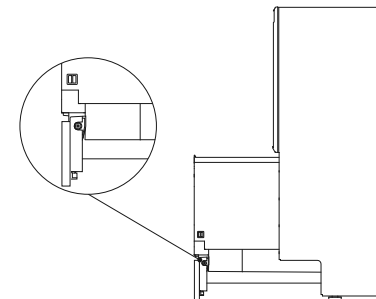
Align the mounting bracket to the panel ensuring it is horizontally centred and the ribs at the top of the template align with the top of the panel.

②



Secure the mounting bracket to the panel using the supplied mounting screws.

③

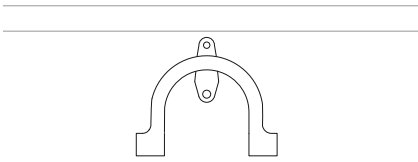


Slide toe kick onto the mounting rails and secure
Do not over tighten the screws.

*if used in step 2

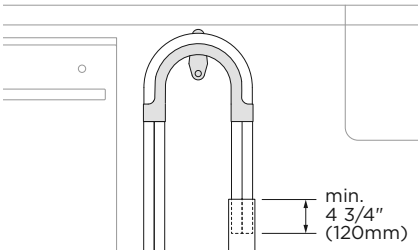
Ø38MM STANDPIPE INSTALLATION

1



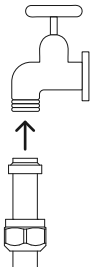
Install the drain hose support to the back wall, as close to the underside of the countertop as possible. Refer to 'Plumbing & electrical considerations' for minimum install heights.

2



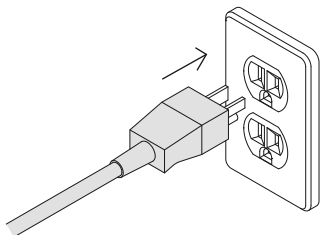
Pull both hoses through the support guide and rest in standpipe. Ensure the drain hose does not extend into water retained in the trap; an air gap is required to prevent waste water from siphoning back into the tub.

3



Connect the inlet hose to tap and hand-tighten into place. Using a spanner or pliers, turn a further 180° to secure. Avoiding over-tightening. **Do not turn water supply on. The DishDrawer™ Dishwasher must be powered on for the flood protection feature to be enabled.**

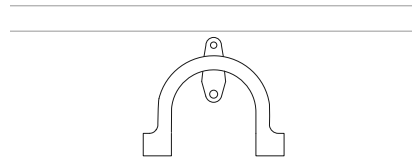
4



Plug product in.

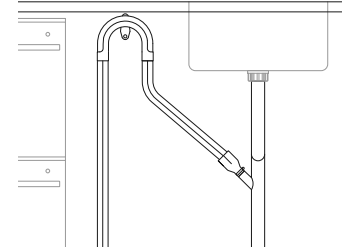
SINK TRAP/WASTE TEE INSTALLATION

1



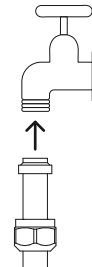
Install the drain hose support to the back wall, as close to the underside of the countertop as possible. Refer to 'Plumbing & electrical considerations' for minimum install heights.

2



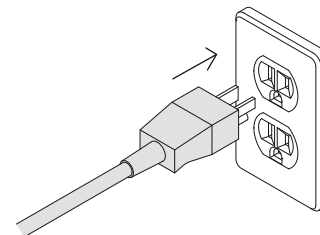
Pull both hoses through the drain hose support before threading the wire clips on to the hoses and fitting to the supplied hose joiner. Secure using the wire clips. Ensure hose is routed straight to the joiner, removing excess drain hose if necessary. Do not shorten the inlet hose. Unplug or drill out the waste tee before securing joiner to sink trap or waste tee.

3



Connect the inlet hose to tap and hand-tighten into place. Using a spanner or pliers, turn a further 180° to secure. Avoiding over-tightening. **Do not turn water supply on. The DishDrawer™ Dishwasher must be powered on for the flood protection feature to be enabled.**

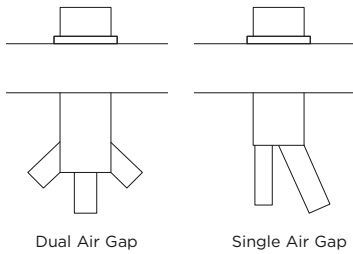
4



Plug product in.

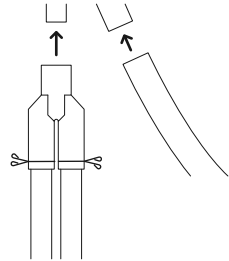
AIR GAP INSTALLATION

1



Install your Air Gap Kit to the benchtop. We recommend using a Dual Air Gap Kit. Refer to 'Plumbing & electrical connection' for minimum install heights.

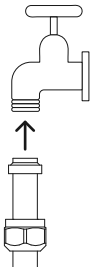
2



Thread wire clips onto the hoses before fitting them to the hose joiner. Secure using the wire clips. Fit the joiner to the Air Gap Kit and secure using the hose clamp. Ensure hoses are routed straight to the joiner, removing excess drain hose if necessary.

Unplug or drill out the waste tee before securing to sink trap or waste tee.

3

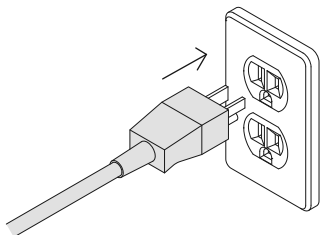


Connect the inlet hose to tap and hand-tighten into place.

Using a spanner or pliers, turn a further 180° to secure. Avoiding over-tightening.

Do not turn water supply on. The DishDrawer™ Dishwasher must be powered on for the flood protection feature to be enabled.

4



Plug product in.

INSTALLER CHECKLIST

TO BE COMPLETED BY THE INSTALLER

Installation

- Check all parts are installed correctly and are secure.
- Ensure all clearance gaps have been maintained.
- Ensure DishDrawer™ Dishwasher is securely fastened to the cabinetry and drawer opens and closes freely with no resistance.
- Ensure panel is fitted correctly to the DishDrawer™ Dishwasher
- Ensure any packaging or tape securing the racks and spray arm is removed.
- Check the spray arm is in place, mounted correctly and rotates freely.
- Ensure knock-to-pause module is fitted securely and operating correctly.

Plumbing

- Ensure any knock-outs or plugs in drain connection have been drilled out and drain connection has been made.
- The drain hose joiner must not support the weight of excess hose material. Keep drain hose as fully extended as possible to prevent sagging. Any excess length of drain hose should be kept on the dishwasher side of the highloop.
- Ensure inlet hose has supplied rubber washer fitted, and that it's tightened.
- If connecting the drain hose to the sink trap, ensure the highloop is a minimum 5 15/16" (150mm) higher than the drain hose joiner.
- Water softener models: adjust the water softener setting from the default setting to suit the water hardness of the area. Refer to your user guide.
- Ensure water supply is turned off until power is connected and turned on. The DishDrawer™ Dishwasher must be powered on for the flood protection feature to be enabled.


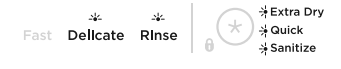

Electrical

- Ensure all electrical tests have been conducted in accordance with local regulations.

Test operation

- Turn on the power and water supplies, then open the drawer. You should hear a beep and see a program indicator light up on the control panel.
- Add three cups of water into the drawer.
- Navigate to **RINSE** and start the program.
- Repeat for the other drawer.
- After the Rinse cycle has finished, ensure the dishwasher has run and drained correctly.
- Check the water supply has been shut off correctly.
- Check drainage connections for leaks.
- If site is left without power after installation is complete, ensure water supply is turned off to prevent flooding.**

TROUBLESHOOTING

DISPLAY	POSSIBLE CAUSE	WHAT TO DO
 <p>Fast Delicate Rinse Extra Dry Quick Sanitize</p>	A1: Water Supply fault.	<ol style="list-style-type: none"> ① Ensure the water supply is turned on. ② Press ► once to stop the beeping, then again to clear the fault. ③ Press ► to resume the wash program.
<p>RINSE + all modifiers</p>		
 <p>Fast Delicate Rinse Extra Dry Quick Sanitize</p>	A3: Drawer cannot drain. The drainage hose may be blocked or kinked, or the connection to drainage pipe may be blocked.	<ol style="list-style-type: none"> ① Check the drainage hose and connection for any blockages. Ensure the spigot is drilled out. ② Press ► once to stop the beeping, then again to clear the fault. ③ Press ► to resume the wash program.
<p>DELICATE, RINSE + all modifiers</p>		
 <p>Fast Delicate Rinse Extra Dry Quick Sanitize</p>	A6: The spray arm has loosened or come off its mounting, or water pressure is too low, or a combination of low water pressure and excessive foaming.	<ol style="list-style-type: none"> ① Open the drawer and check the spray arm. ② If the spray arm has loosened or come off its mounting, re-fit it. Check that it is firmly seated and turns freely. Refer to 'Maintenance' in your user guide. ③ Press ► once to stop the beeping, then again to clear the fault. ④ Press ► to resume the wash program.
<p>FAST, DELICATE + all modifiers</p>		

No program indicator lights up when the drawer is opened

- Ensure power is connected and is switched on.
- **AUTO POWER-ON** may need to be activated. Refer to your user guide for details.

Drawer doesn't close properly

- Ensure nothing is obstructing the drawer from closing such as hoses or drawer latches.

Water appears around water supply and drain connections

- Check hoses, connections and existing plumbing for leaks.
- Check rubber washer and hose clamp are correctly fitted.

Product is tipping

- Ensure the product is secured to the cabinetry.

Front panels are misaligned to surrounding cabinetry

- Check the cabinetry is square. Check and relevel product. Unscrew the product from the cabinetry. Re-adjust door panels using the door adjustment screws. Refer to 14 for guidance. Adjust the feet to level the product, then re-secure to the cabinetry.

If a problem occurs that is not listed, refer to your user guide for additional troubleshooting. If after checking these points, you still need assistance, please refer to the Service & Warranty book for warranty details or contact us through our website fisherpaykel.com

FISHERPAYKEL.COM

© Fisher & Paykel Appliances 2021. All rights reserved.

The models shown in this guide may not be available in all markets
and are subject to change at any time.

The product specifications in this guide apply to the specific products and
models described at the date of issue. Under our policy of continuous product
improvement, these specifications may change at any time.

For current details about model and specification availability in your country,
please go to our website or contact your local Fisher & Paykel dealer.

592795A 10.21