

F I S H E R & P A Y K E L

BUILT-IN OVEN

OB60SL models

INSTALLATION GUIDE

NZ AU GB IE

590477C 04.18

⚠ WARNING!



Electrical shock hazard
Disconnect the appliance from the mains electricity supply before carrying out any work or maintenance on it.
Connection to a good earth wiring system is essential and mandatory.
Alterations to the domestic wiring system must only be made by a qualified electrician.
Failure to follow this advice may result in electrical shock or death.

⚠ WARNING!



Cut Hazard
Take care - panel edges are sharp.
Failure to use caution could result in injury or cuts.

⚠ WARNING!



Fire hazard
Do not use adapters, reducers, or branching devices to connect this appliance to the mains power supply.
Failure to follow this advice may result in overheating, burning, or fire.

IMPORTANT SAFETY INSTRUCTIONS

- Particular attention shall be given to the relevant requirements regarding ventilation.
- Read these instructions carefully before installing this product.
- Please make this information available to the person installing the appliance as it could reduce your installation costs.
- This appliance is to be installed and serviced only by an authorised person.

IMPORTANT!
SAVE THESE INSTRUCTIONS

The models shown in this installation guide may not be available in all markets and are subject to change at any time. For current details about model and specification availability in your country, please go to our website www.fisherpaykel.com or contact your local Fisher & Paykel dealer.

IMPORTANT SAFETY INSTRUCTIONS

- **Installation must comply with your local building and local electricity regulations.**
- **The manufacturer accepts no responsibility for the incorrect installation of appliances. Incorrect installation may result in personal injury, damage to property and may invalidate any warranty or liability claims.**
- **Do not modify this appliance.**
- **Do not use or store flammable materials on or near this appliance.**
- **Packing elements (eg plastic bags, polystyrene foam, staples, packing straps etc) and tools should not be left around during and after installation, especially if they are within easy reach of children, as these may cause serious injuries.**
- **If the power supply cable is damaged, it must be replaced by the manufacturer, its service agent or similarly qualified person in order to avoid a hazard.**
- **Isolating switch: make sure this oven is connected to a circuit which incorporates an isolating switch providing full disconnection from the power supply in accordance with the wiring rules.**
- **The oven must be earthed.**
- **Do not use adaptors, reducers or branching devices to connect the oven to the mains electricity supply, as they can cause overheating and burning.**
- **The appliance must not be installed behind a decorative door in order to avoid overheating.**

② PRIOR TO INSTALLATION

- the benchtop and oven cavity are square and level, and are the required dimensions.
- the installation will comply with all clearance requirements and applicable standards and regulations.
- a suitable isolating switch providing full disconnection from the mains power supply is incorporated in the permanent wiring, mounted and positioned to comply with the local wiring rules and regulations. The isolating switch must be of an approved type and provide a 3mm air gap contact separation in all poles (or in all active [phase] conductors if the local wiring rules allow for this variation of the requirements).
- the isolating switch will be easily accessible to the customer with the oven installed.
- there is at least 1.5m (and not more than 2m) free length of power supply cable within the cavity for ease of installation and servicing.
- the oven connection socket (if fitted) is outside the cavity if the oven is flush to the rear wall.
- the oven will rest on a surface that can support its weight.
- the height from the floor suits the customer.
- you consult local building authorities and by-laws if in doubt regarding installation.

IMPORTANT!

Some environmental factors and cooking habits can cause condensation in and around the oven during use. To protect surrounding cabinetry from possible damage caused by frequent or excessive condensation, we recommend moisture-proofing the oven cavity.

③ AFTER INSTALLATION

IMPORTANT!

Please take extra care not to damage the lower trim of the oven during installation. The trim is important for correct air circulation and allows the door to open and close without obstruction. The manufacturer does not accept any responsibility for damage resulting from incorrect installation.

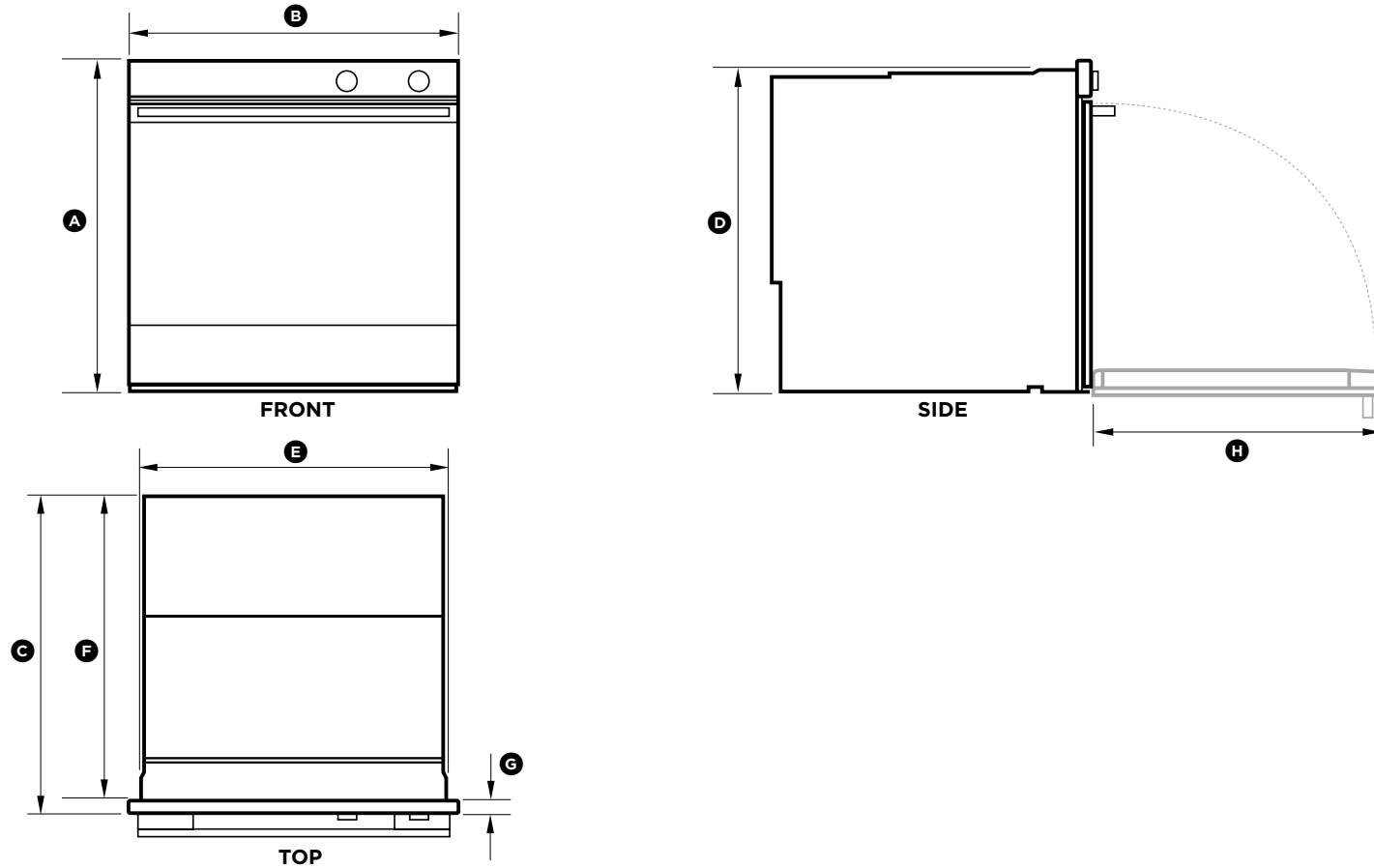
- the oven door can open fully without obstruction.
- the power supply cable does not touch any hot metal parts.
- the isolating switch is easily accessible to the customer with the oven installed.
- you complete the 'Final checklist' at the end of the installation.
- if, after following the instructions given, correct performance cannot be achieved, please contact your nearest Fisher & Paykel Authorised Service Centre, Customer Care, or contact us through our local website listed at the end of this document.

④ PARTS SUPPLIED



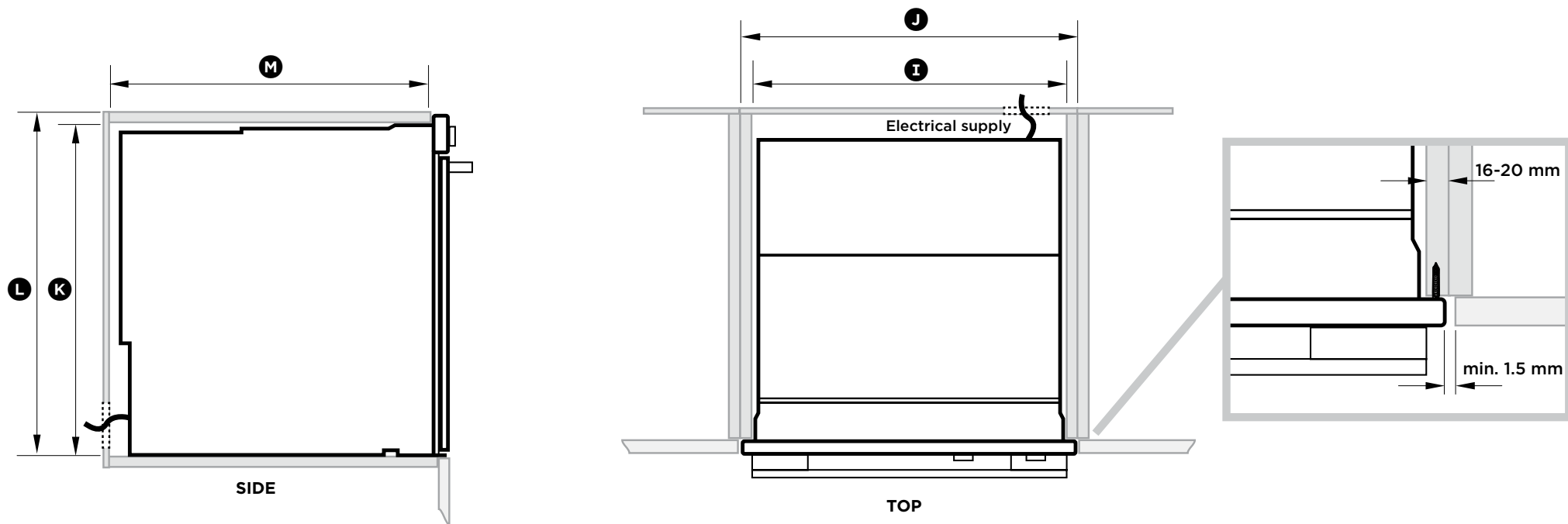
Screws (2)

5 PRODUCT DIMENSIONS



PRODUCT DIMENSIONS	OB60SL7 MODELS	OB60SL9 MODELS	OB60SL11 MODELS
	MM	MM	MM
(A) Overall height of product	598	598	598
(B) Overall width of product	597	597	597
(C) Overall depth of product (excluding handle and dials)	577	577	577
(D) Height of chassis	578	578	578
(E) Width of chassis	556	556	556
(F) Depth of chassis	557	557	557
(G) Depth of oven frame and control panel (=distance between front of chassis and front of oven door, excl. knobs)	20	20	20
(H) Depth of oven door when fully open (measured from front of control panel)	493	493	493

⑤ CABINETY DIMENSIONS



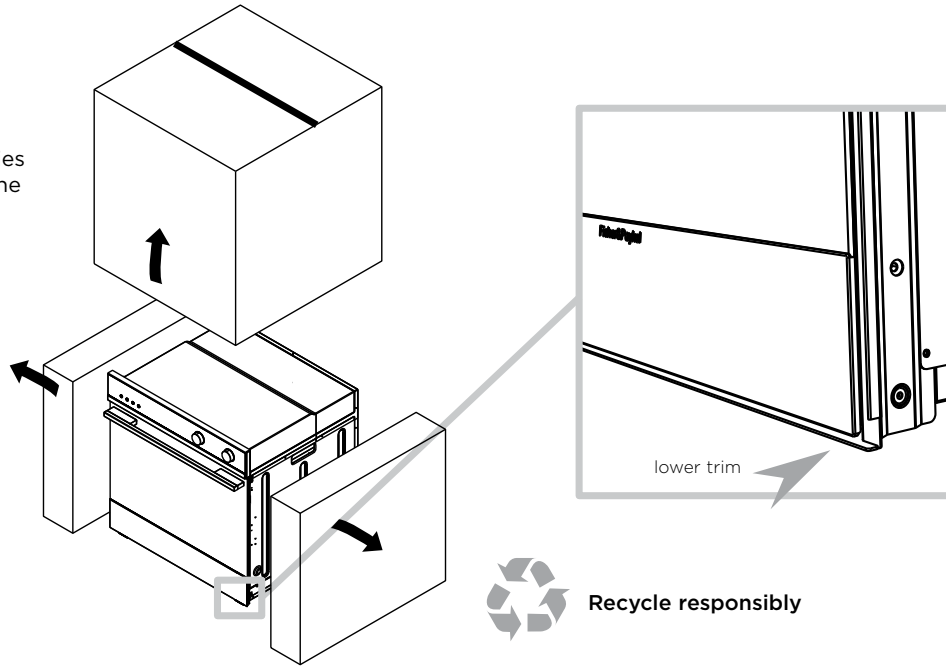
CABINETY DIMENSIONS	OB60SL7 MODELS	OB60SL9 MODELS	OB60SL11 MODELS
	MM	MM	MM
① Minimum inside width of cavity	560	560	560
② Overall width of cabinetry	600	600	600
③ Minimum inside height of cavity	580	580	580
④ Overall height of cabinetry	600	600	600
⑤ Minimum inside depth of cavity	560	560	560

Note: If installing a cooktop above the oven, ensure adequate clearance is provided for the cooktop as per the cooktop manufacturer's instructions.

6 DISCARD PACKAGING RESPONSIBLY

Oven may vary

Remove the accessories box from the top of the oven and set aside.



IMPORTANT!

When you remove the oven from the carton be careful not to damage the lower trim. The trim is important for both ventilation and to ensure the door opens fully without obstruction.

7 CONNECT THE OVEN TO THE MAINS SUPPLY

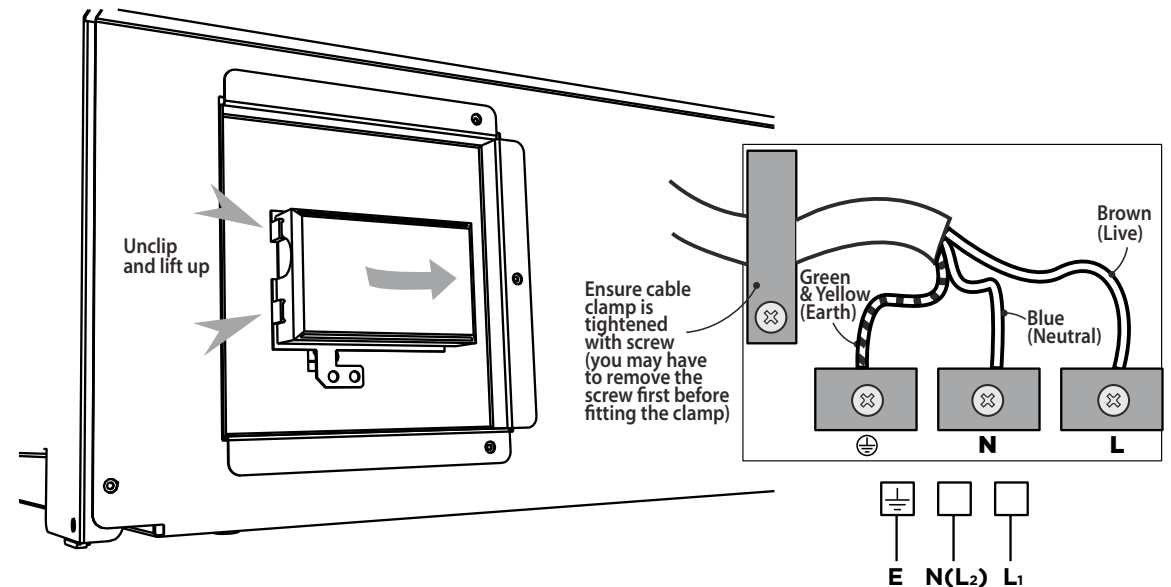
IMPORTANT!

- This oven must be connected to the mains power supply only by a suitably qualified person.
- This oven must be earthed.

MODEL CODE	MAX POWER (W)	HZ	VOLTAGE (V)	AMPS (A)
OB60SL7	3000	50 Hz	220 - 240 V~	14
OB60SL9	3600	50 Hz	220 - 240 V~	16
OB60SL11	3600	50 Hz	220 - 240 V~	16

Before connecting the oven to the mains power supply, check that:

- the domestic wiring system is suitable for the power drawn by the oven (as specified on the rating plate)
- the voltage corresponds to the value given on the rating plate.



8 SECURE THE OVEN TO THE CABINETY

- ① Position the oven in the prepared cavity.

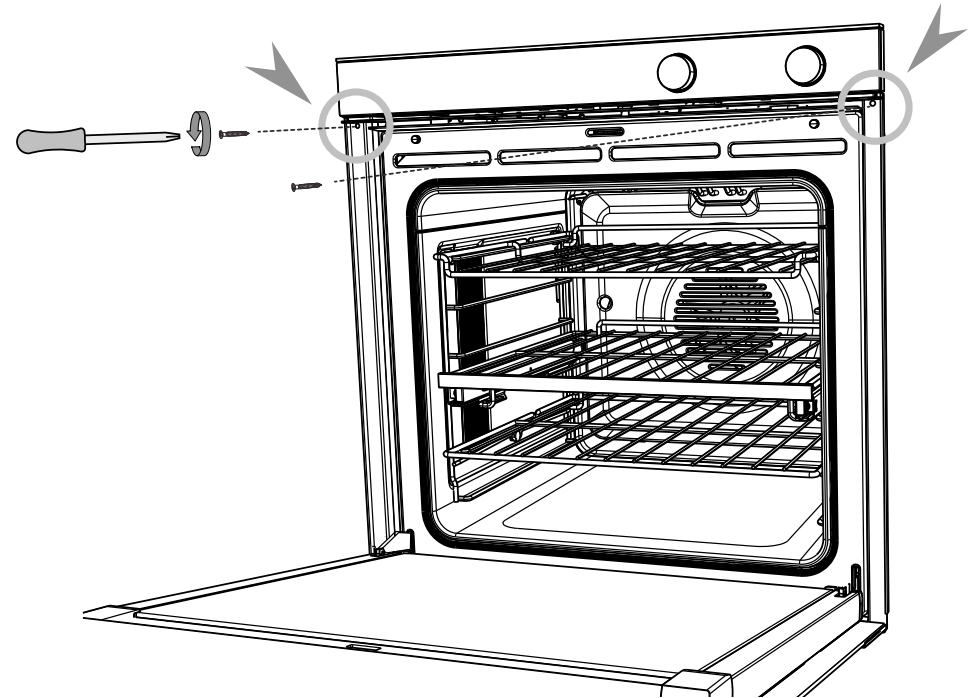
IMPORTANT!

Do not lift the oven by the door handle.

- ② Open the oven door fully.
- ③ Use the supplied screws to secure the oven to the cabinetry.

IMPORTANT!

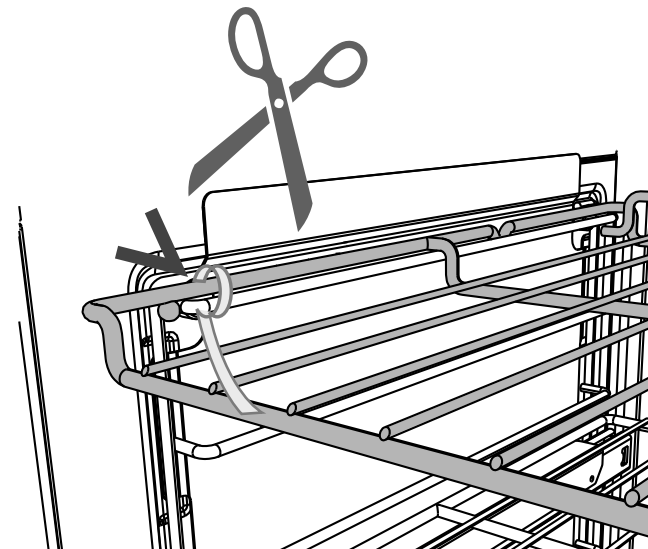
- Do not over-tighten the screws.
- Do not seal the oven into the cabinetry with silicone or glue. This makes future servicing difficult. Fisher & Paykel will not cover the costs of removing the oven, or of damage caused by this removal.



9 REMOVE ALL CABLE TIES & PACKAGING HOLDING THE SHELVING IN PLACE

IMPORTANT!

Make sure you remove all the cable ties and any internal packaging holding the shelving in place. The cable ties, if left in the oven during operation, may result in damage to the oven.



✓ **TO BE COMPLETED BY THE INSTALLER**

- Make sure the oven is level and securely fitted to the cabinetry.
- Check the lower trim is undamaged.
- Open the oven door slowly until it is fully open and check there is adequate clearance between the bottom of the door and the lower trim. This is to ensure correct air circulation. Should the lower trim become damaged, straighten the trim and ensure the oven door opens fully without obstruction.
- Make sure all cable ties and internal packaging has been removed from the oven cavity.
- Make sure all oven vents and openings are clear and free of any obstruction or damage.

IMPORTANT!

Failure to make sure all oven vents are clear may result in poor product performance.

- Make sure the isolating switch is accessible by the customer.

TEST OPERATION:

- Turn the power to the oven on. The display should light up and show 0:00. Set the clock following the instructions in the 'Quickstart Guide' or 'User guide'.
- Turn the oven function to 'Bake'. Inside the oven cavity, the oven light should come on. Air should blow out of the vent at the top of the oven. Have you demonstrated the basic operation to the customer?
- Turn the temperature to 50 °C. The temperature indicator should come on. After five minutes, open the oven door: the air inside should feel warm. Turn the oven function dial back to OFF.

Complete and keep for safe reference:

Model _____

Serial No. _____

Purchase Date _____

Purchaser _____

Dealer Address _____

Installer's Name _____

Installer's Signature _____

Installation Company _____

Installation Date _____

FISHERPAYKEL.COM

© Fisher & Paykel Appliances 2018. All rights reserved.
The product specifications in this booklet apply to the specific products and models described at the date of issue. Under our policy of continuous product improvement, these specifications may change at any time. You should therefore check with your Dealer to ensure this booklet correctly describes the product currently available.

NZ AU GB IE

590477C 04.18