

FISHER & PAYKEL

SPECIFICATION GUIDE

SINGLE DISHDRAWER™ DISHWASHER, SANITISE SERIES 7, CONTEMPORARY STYLE



OVERVIEW

With room to fit full-sized plates, this DishDrawer™ can be placed anywhere in your kitchen, for loading dishes with less bending.

MODELS

Single DishDrawer™ Dishwasher, Sanitise

Stainless Steel
DD60SCHX9

Single DishDrawer™ Dishwasher, Sanitise

White
DD60SCHW9

SERIES & STYLE

Series 7
Contemporary Style

FEATURES

- ① DishDrawer™ Dishwashers are designed to match the Fisher & Paykel family of kitchen appliances
- ② Six wash programs, from delicate to heavy to suit any load
- ③ Quick, Sanitise and Extra Dry provide extra wash options
- ④ Flexible racking allows you to customise internal shelves to suit your needs

ACCESORIES

- ① Cutlery basket
- ② Knife clip and multipurpose clip

FISHER & PAYKEL

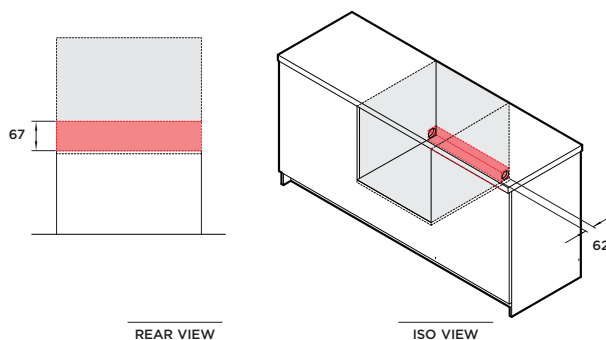
SPECIFICATION GUIDE

SINGLE DISHDRAWER™ DISHWASHER, SANITISE SERIES 7, CONTEMPORARY STYLE

SPECIFICATIONS

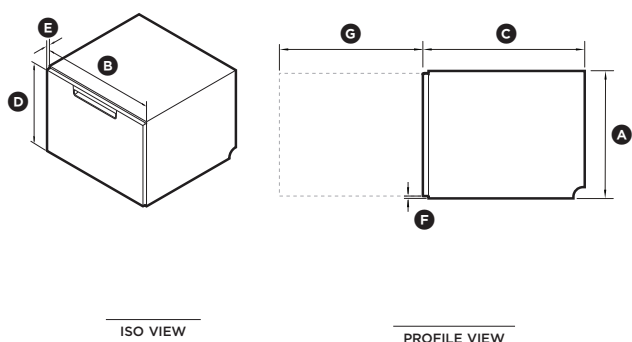
| | |
|------------|-----------------------------------------------|
| Model No. | DD60SCHX9, DD60SCHW9 |
| Dimensions | H 410mm x W 599mm x D 573mm |
| Weight | 32kg |
| Electrical | |
| Supply | 220-240V, 50Hz |
| Service | 4.2A |
| Receptacle | 3 pin earthing-type |
| Plumbing | |
| Supply | 3/4" BSP (GB20) to suit flat washer. |
| Pressure | max. 1 MPa (145 psi), min. 0.1 MPa (14.5 psi) |

PLUMBING AND ELECTRICAL

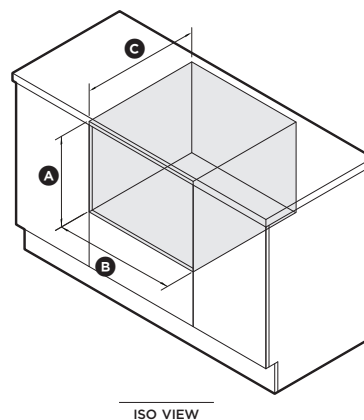


Service outlet at rear extends both sides, hoses and cords can be routed to either or both sides

PRODUCT DIMENSIONS



CAVITY DIMENSIONS: STANDARD INSTALLATION



| | mm |
|-----------------------------------------------|-----|
| Ⓐ Overall height | 410 |
| Ⓑ Overall width | 599 |
| Ⓒ Overall depth | 573 |
| Ⓓ Height of front panel | 393 |
| Ⓔ Depth of front panel | 20 |
| Ⓕ Height of ventilation gap below front panel | 7 |
| Ⓖ Depth of open drawer | 547 |

| | mm |
|------------------|---------|
| Ⓐ Overall height | min 412 |
| Ⓑ Overall width | 600 |
| Ⓒ Overall depth* | 580 |

*Includes front panels