

# Integrated Column Freezer, 30", Ice

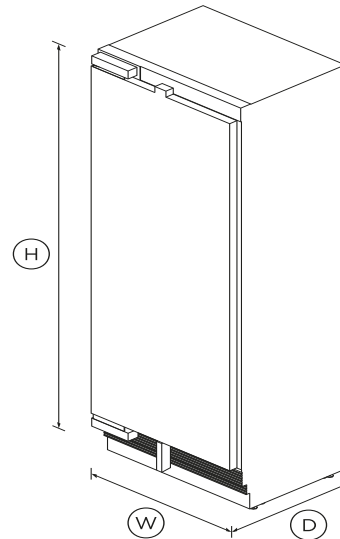
Series 11 | Integrated



Install it separately or pair with another Column for seamless integration – this model is left hinge with brushed steel interior.

## DIMENSIONS

Height	84
Width	29 <sup>3</sup> / <sub>4</sub>
Depth	24



## SPECIFICATIONS

### Accessories (sold separately)

Door panel stainless steel	24972
Joiner kit	24985
Matching Replacement Water	847200
Toe kick stainless steel 30"	25392
Toe kick stainless steel 48"	25396
Toe kick stainless steel 54"	25398
Toe kick stainless steel 60"	25400

## Features

Adjustable door shelves	4
Adjustable glass cantilevered	3
SmartTouch interface at	•
Water Filter	847200

## Freezer Features

Automatic ice maker	•
Bottle chill	•
Door alarm	•
Fast freeze	•
Freezer bins	4
Ice Boost	•
LED bin lighting	•
LED ceiling lighting	•
LED side lighting	•

## Performance

ActiveSmart™ Foodcare	•
ActiveSmart™ technology	•
Adaptive defrost	•
Dual evaporator	•
Frost free	•
Frost free freezer	•
Inverter controlled compressor	•
Sabbath mode	•
Variable food modes	Soft freeze; Freeze; Deep

## Power requirements

Rated current	10A
Supply frequency	60Hz
Supply voltage	115V

---

**A PEACE OF MIND SALE****24 Hours 7 Days a Week Customer Support****T 1.888.936.7872 W [www.fisherpaykel.com](http://www.fisherpaykel.com)****Product dimensions**

Depth	24
Depth (less door)	24"
Height	84
Width	29 <sup>3</sup> / <sub>4</sub>

---

**Product information**

Packaged weight	309lbs
Unpackaged weight	294lbs

---

**Warranty**

Sealed system parts and labor	<b>additional 3 years</b>
-------------------------------	---------------------------

---

SKU	25592
-----	-------

---

The product dimensions and specifications in this page apply to the specific product and model. Under our policy of continuous improvement, these dimensions and specifications may change at any time. You should therefore check with Fisher & Paykel's Customer Care Centre to ensure this page correctly describes the model currently available. ? Fisher & Paykel Appliances Ltd 2020