

# FISHER & PAYKEL

## PRELIMINARY SPECIFICATION GUIDE

## STEAM OVEN, 24"



### OVERVIEW

With timeless Minimal styling, the compact Combination Steam Oven is designed to fit seamlessly into any kitchen. It features 23 functions, including steam-only, convection-only, or a combination of both. Reduce the need for oils and fats with six standalone steam functions, perfect for creating flavourful and healthy restaurant-quality meals at home. Beautiful to use, the large 5" touchscreen interface has simple and intuitive guided cooking, helping to ensure perfect results.

### MODELS

#### Combination Steam Oven, 24", 23 Function

1.94 cu ft, Touchscreen, Dial  
OS24NMTDB1

### SERIES & STYLE

Series 9  
Minimal

### ACCESSORIES

- 1 Roasting dish
- 1 Step down wire shelf
- 2 Full extension sliding shelves
- 3 Large perforated dish
- 2 Small perforated dish

### FEATURES

- 1 Minimal style, designed to fit flush with cabinetry
- 2 1.94 cu ft total capacity
- 3 Intuitive, large 5" touchscreen display with illuminated dial
- 4 23 oven functions, including six steam-only functions
- 5 Wireless Temperature Sensor precisely monitors cooking in real time\*
- 6 Guided touchscreen cooking makes it simple to cook by food, function or recipe
- 7 Moisture control and even heat distribution thanks to ActiveVent and AeroTech™ technology
- 8 Motorised control panel reveals large 50.7 fl oz water tank
- 9 Wi-Fi/Connected capability through the SmartHQ™ app\*

\*Selected markets and models

- 7 Large unperforated dish
- 8 Baking tray
- 9 Wireless Temperature Sensor\*
- 10 Descale solution (2 sachets)

\*Selected markets and models

# FISHER & PAYKEL

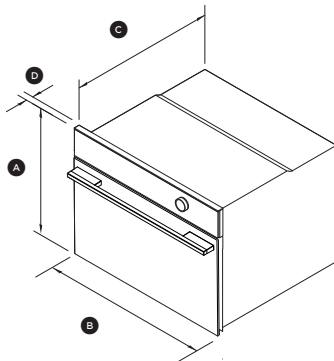
## PRELIMINARY SPECIFICATION GUIDE

## STEAM OVEN, 24"

### SPECIFICATIONS

<b>Model No.</b>	OS24NMTDB1
<b>Dimensions</b>	<b>H</b> 18" (458mm) x <b>W</b> 23 7/16" (596mm) x <b>D</b> 22 1/4" (565mm)
<b>Total capacity</b>	1.94 ft cu (55L)
<b>Weight</b>	88 lbs (40kg) unpackaged 115 lbs (52kg) packaged
<b>Electrical</b>	
Supply	208-240V, 60Hz
Service	16.6-19.4 amp circuit

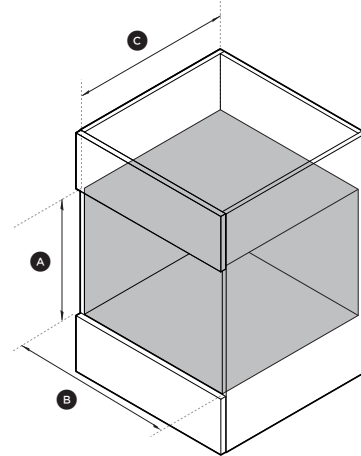
### PRODUCT DIMENSIONS



ISO VIEW

		in	mm
(A)	Overall height	18	458
(B)	Overall width	23 7/16	596
(C)	Depth of chassis	21 7/16	545
(D)	Depth from front of chassis to front of oven door (excl.dial & handle)	13/16	20
	Depth of oven door when fully open (measured from front of control panel)	12 5/8	320

### CAVITY DIMENSIONS



ISO VIEW

		in	mm
(A)	Minimum inside height of cavity	17 5/16	440
(B)	Minimum inside width of cavity	22 1/16	560
(C)	Minimum inside depth of cavity	21 11/16	550