

FISHER & PAYKEL

GAS COOKTOP


CG604DX & CG905DX models

INSTALLATION GUIDE

NZ AU

590447E 08.17

① SAFETY AND WARNINGS

⚠ WARNING!	
	Electrical shock hazard
	Before carrying out any work on the electrical section of the appliance, it must be disconnected from the mains electricity supply.
	Connection to a good earth wiring system is absolutely essential and mandatory.
	Alterations to the domestic wiring system must only be made by a qualified electrician. Failure to follow this advice may result in electrical shock or death.

⚠ WARNING!	
	Cut hazard
	Take care - some panel edges are sharp.
	Failure to use caution could result in injury or cuts.

IMPORTANT SAFETY INSTRUCTIONS!

- Particular attention shall be given to the relevant requirements regarding ventilation.
- Read these instructions carefully before installing this product.
- Please make this information available to the person installing the appliance as it could reduce your installation costs.
- This appliance is to be installed and serviced only by an authorised person.
- Installation must comply with your local building and local gas authority codes and electricity regulations.
- Incorrect installation, for which the manufacturer accepts no responsibility, may cause personal injury or damage and could invalidate any warranty or liability claims.
- These appliances are registered in: (New Zealand) at www.energysafety.govt.nz and (Australia) with SAI Global at www.saiglobal.com.
- Appliances are factory set for Natural gas but are convertible to LPG. If in doubt, refer to the local gas network operator or gas supplier to confirm gas type at installation site.
- Do not modify this appliance.

- Do not use or store flammable materials on or near this appliance.
- Do not spray aerosols in the vicinity of this appliance while it is in operation.
- Packing elements (eg plastic bags, polystyrene foam, staples, packing straps etc) and tools should not be left around during and after installation, especially if they are within easy reach of children, as these may cause serious injuries.

Before you install the appliance, please make sure that

- the local distribution conditions (nature of gas and pressure) and the adjustment of the appliance are compatible. For adjustment conditions for this appliance see 'Gas rate summary'.
- a suitable disconnection switch is incorporated in the permanent wiring, mounted and positioned to comply with the local wiring rules and regulations. A means of disconnection with at least a 3 mm air gap contact separation in all poles must be incorporated into the fixed wiring in accordance with the wiring rules, unless the local wiring rules allow for alternative means.
- the appliance is connected to a 220V - 240V 50Hz (10 A) power supply only and earthed via the power supply cable.
- there is a power outlet within reach of the power supply cable (900 mm from the centre rear of the product). This must be accessible after installation. The power supply cable should not touch any metal parts.
- if the power supply cable is damaged, it is replaced only by the special cable: Part no.534993 KIT SPARES TRMNL BLK-FLEX 10, obtainable from authorised Fisher & Paykel Service Agents.
- the supply connection point (gas shut-off valve) is accessible after installation.
- the benchtop is made of a heat resistant material.
- the installation complies with all the requirements of Australian and New Zealand Gas Installation Standards (AS/NZS 5601.1.2010), including that the product has to be installed so that the surface temperature of any nearby combustible surface will not exceed 65 °C above ambient. See 'Clearance Dimensions'.

When you install the appliance

- We **do not recommend** you seal this appliance into the bench with silicone or glue. Doing so will make future servicing difficult. Fisher & Paykel will not be liable for any costs associated with removing or replacing a sealed-in appliance, nor for repairing any damage that may be incurred by doing this.
- If installed with an approved flexible hose, the hose should not come in contact with the bottom of the appliance or any sharp edges. Flexible hose assemblies should be AS/NZS 1869 Class B or Class D certified.
- Seal exposed bare edges of the cutout with an oil-based paint or moisture-proof polyurethane to prevent possible moisture creeping between the cooktop trim and the benchtop.
- If, after following the instructions given, correct performance cannot be achieved, please contact your nearest Fisher & Paykel Authorised Service Centre, Customer Care, or contact us through our local website listed at the end of this document.

② PARTS SUPPLIED



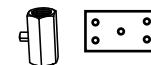
Wok stand (1)



Foam tape (1)



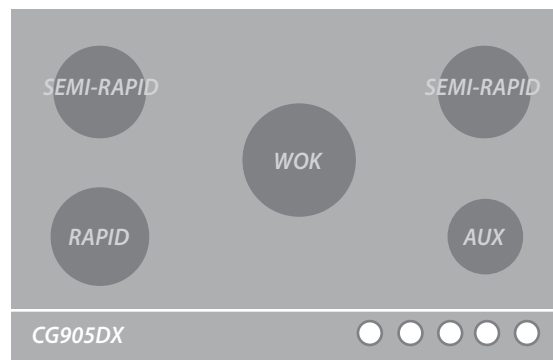
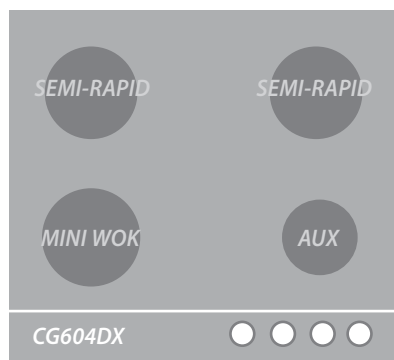
Fibre washers (1)

Elbow 1/2" BSP
external thread (1)Clamping
brackets (4)
and screws (4)LPG test point
adaptor (1)
& Injector Card (1)
(for converting to
LPG)

NG regulator (1)

③ GAS RATE SUMMARY

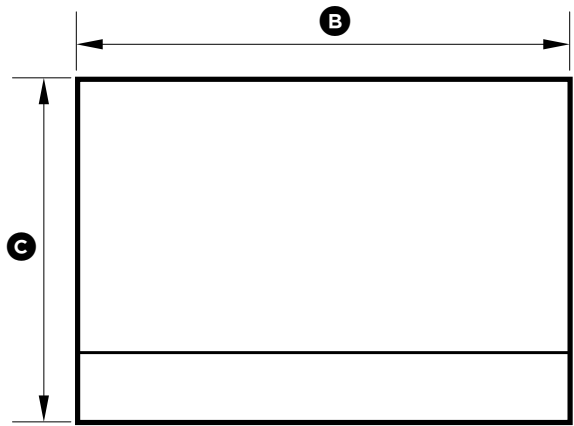
All appliances are factory set for Natural gas but are convertible to LPG. See 'Converting to a different gas type'



		CG604DX & CG905DX									
BURNER GAS TYPE		AUX		SEMI-RAPID		RAPID		MINI WOK		WOK	
		Jet size (mm)	Nominal rating (MJ/h)	Jet size (mm)	Nominal rating (MJ/h)	Jet size (mm)	Nominal rating (MJ/h)	Jet size (mm)	Nominal rating (MJ/h)	Jet size (mm)	Nominal rating (MJ/h)
NG (1.00 kPa)*		0.85	3.6	1.30	8.4	1.55	11.5	1.55	11.7	1.26	16.6
										0.70	
LPG (2.75 kPa)*		0.55	3.8	0.76	7.5	0.94	11.4	0.94	11.7	0.73	16.8
										0.50	

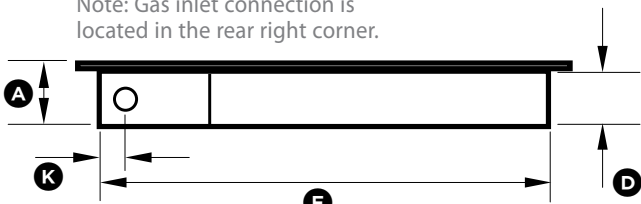
*Nominal pressure with the two semi-rapid burners on High.

④ PRODUCT & CABINETRY DIMENSIONS

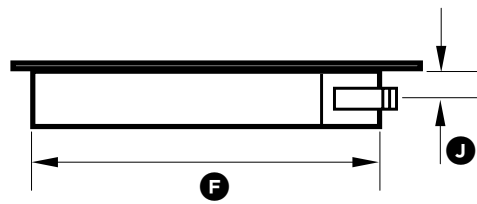


TOP

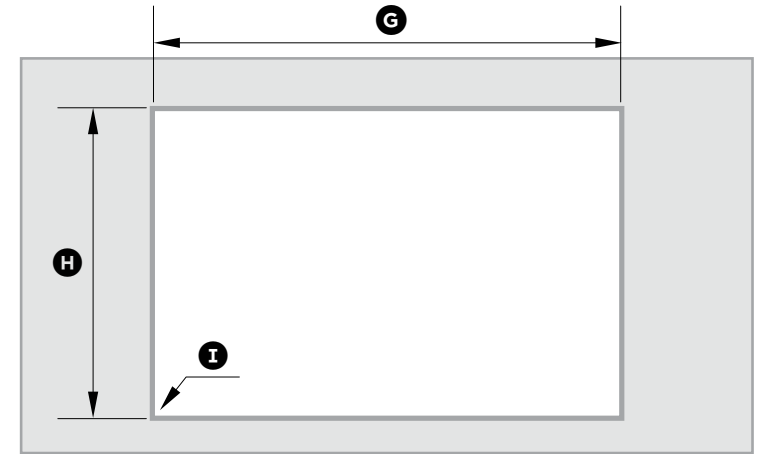
Note: Gas inlet connection is located in the rear right corner.



REAR



SIDE



TOP

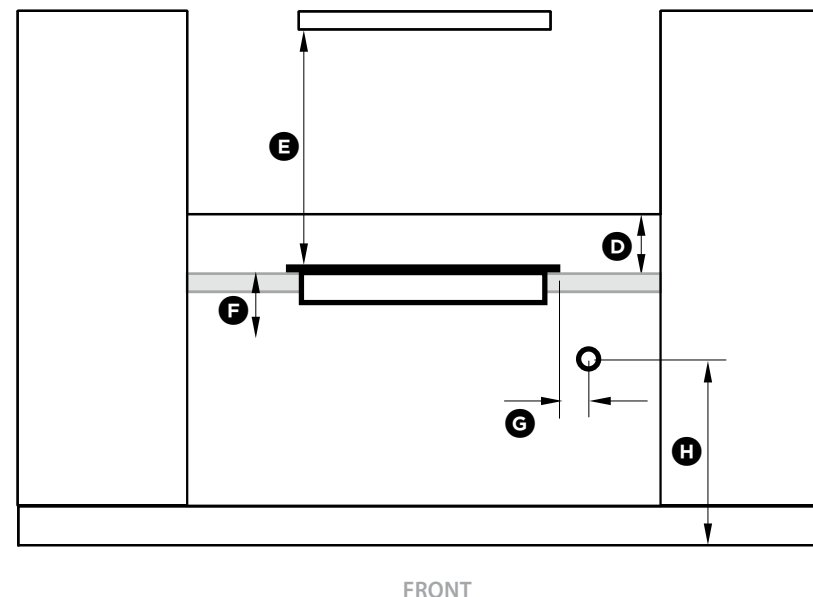
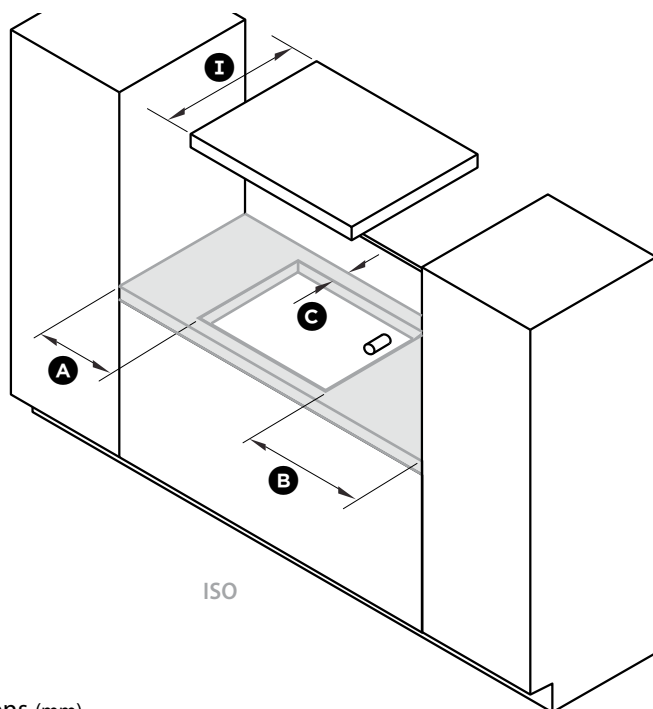


FRONT

Product and cabinetry dimensions (mm)

	GG604DX	GG905DX	
A	overall height of product (excluding burners, dials and pan supports)	64	64
B	overall width of product	600	900
C	overall depth of product	530	530
D	height of chassis (below top of bench)	59	59
E	width of chassis	555	856
F	depth of chassis	486	486
G	overall width of cutout	560	865
H	overall depth of cutout	490	490
I	corner radius of cutout	max. 10	max. 10
J	distance from top of bench to centre of gas inlet on product	30	30
K	distance from edge of chassis to gas inlet on product	21	21

5 CLEARANCE DIMENSIONS



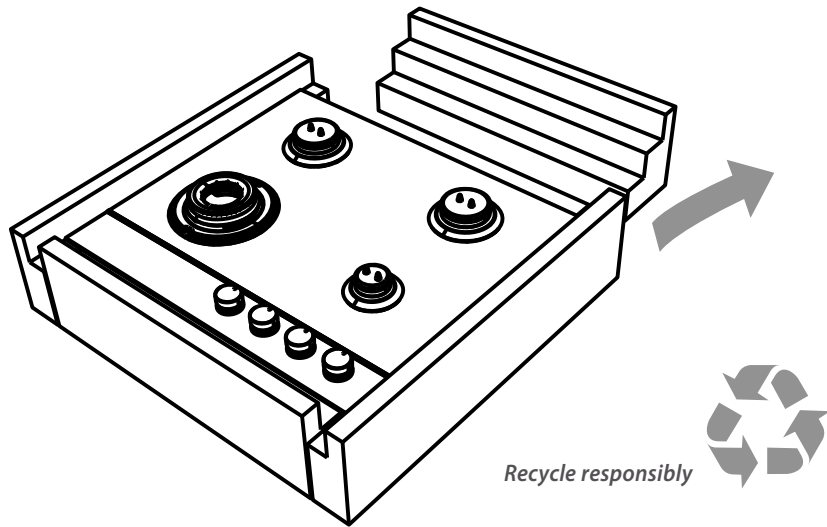
Clearance dimensions (mm)

	CG604DX	CG905DX
A	130	130
B	115	115
C	160	160
	45	45
D	150	150
E	650	650
	800	800
	650	650
	500	500
F	70	70
	65	65
G	250	250
H	min. 800 - max. 850	min. 800 - max. 850
I	600	600

Note: Ensure there is an earthed power outlet within 900 mm of the centre rear of the product. The gas connector on the wall should be 800-850 mm (H) above the floor and to a distance of at least 250 mm (G) outside the width of the product, on the right-hand side. It should be accessible with the product installed.

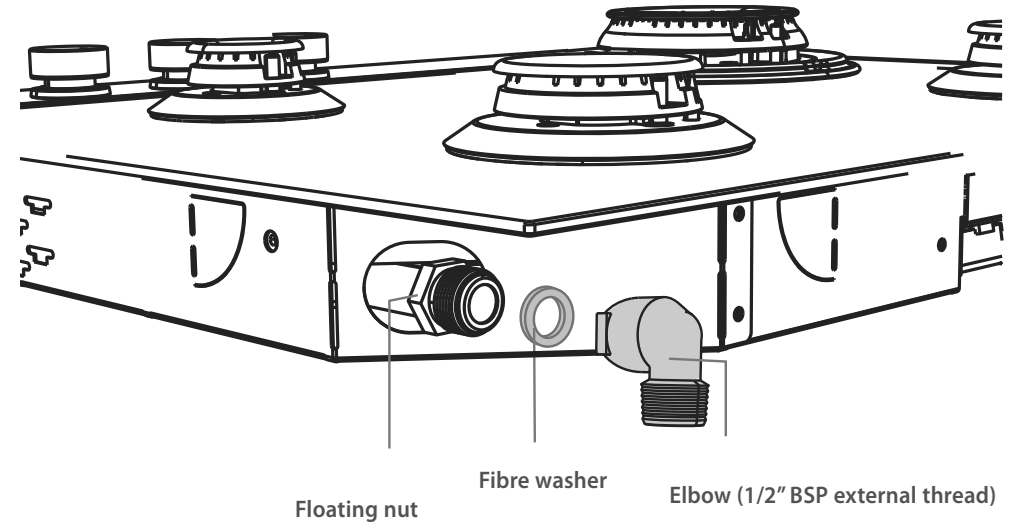
6 DISCARD PACKAGING

Model may vary from illustrations shown

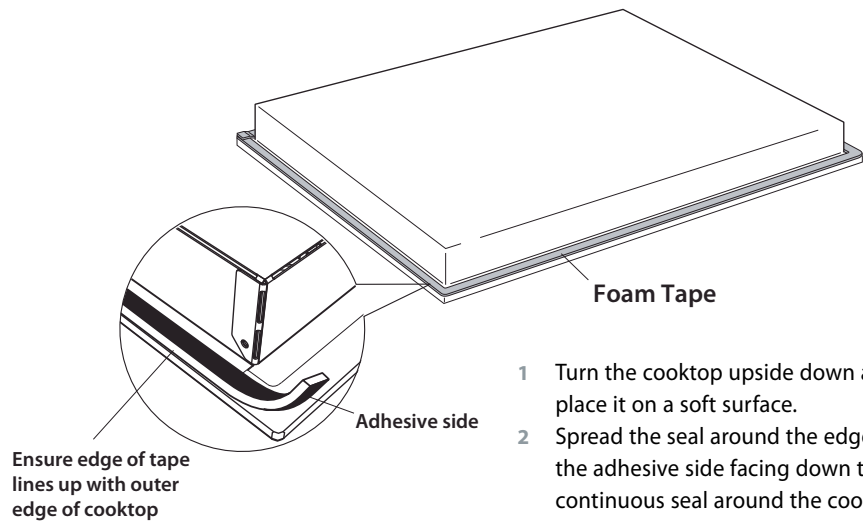


7 FIT THE ELBOW AND WASHER

6

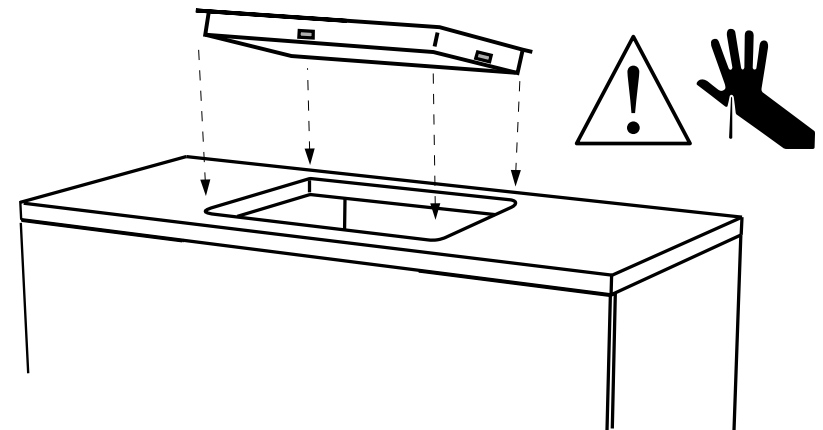


8 APPLY ADHESIVE FOAM TAPE AROUND EDGE

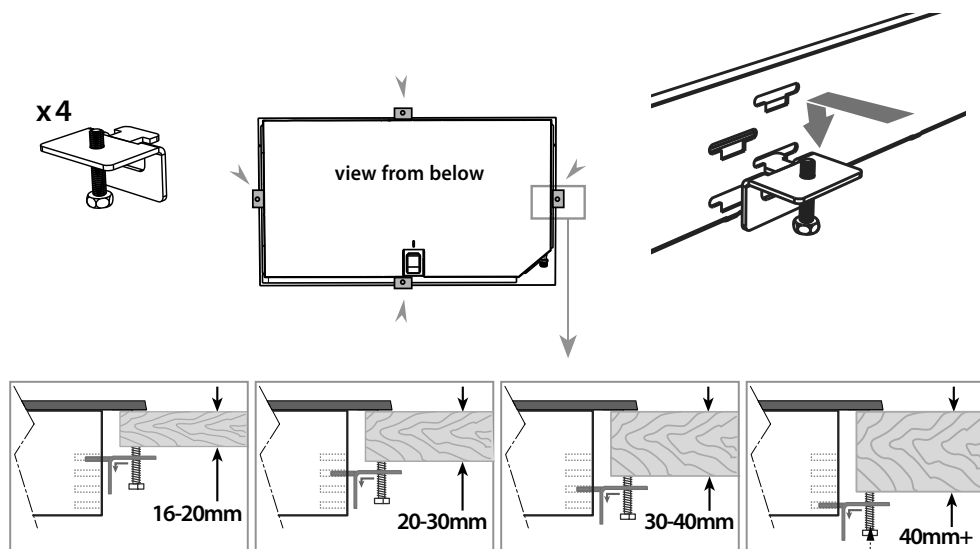


- 1 Turn the cooktop upside down and place it on a soft surface.
- 2 Spread the seal around the edges, with the adhesive side facing down to form a continuous seal around the cooktop.
- 3 Using a sharp cutter or trimmer knife, trim the excess sealing material around the edge of the cooktop. Take care not to damage the benchtop.

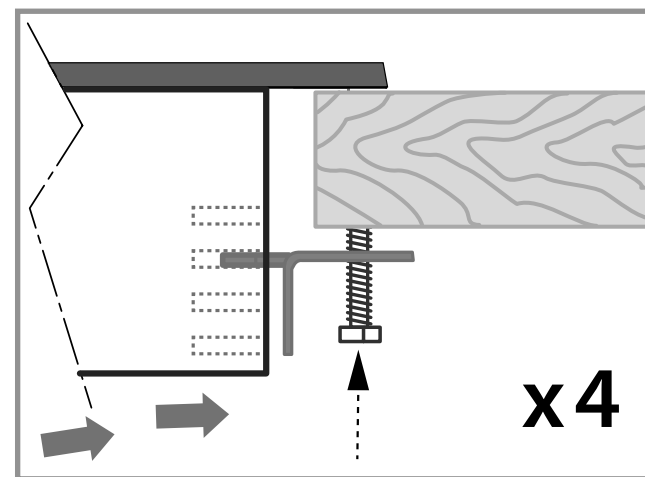
9 LOWER GENTLY INTO THE CUTOUT



10 FIT CLAMPING BRACKETS BASED ON THE BENCHTOP THICKNESS



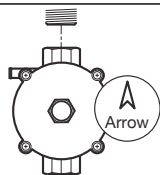
11 SECURE TO BENCHTOP



Repeat on all the other sides

12 CONNECT TO GAS SUPPLY

NG



- Adjust to obtain a **test point pressure of 1 kPa** with all the burners operating at highest setting.

LPG

If converting to LPG, see 16 'Converting to a different gas type'



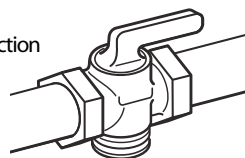
- Make sure the **supply pressure is regulated to 2.75 kPa**, with all the burners operating at highest setting.

ALL Models

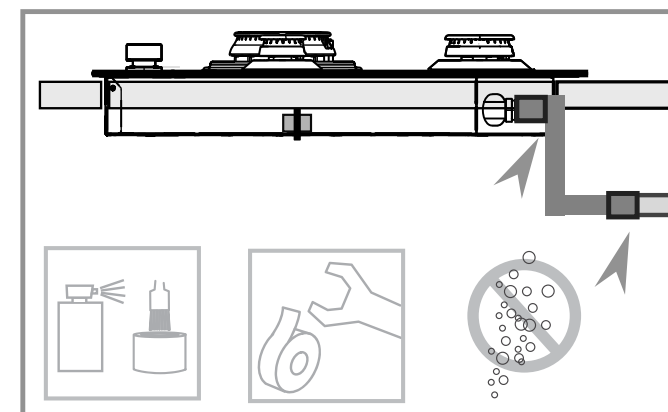
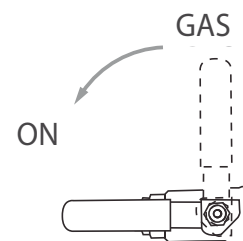
- Make sure the connection point will be accessible with the cooktop installed.
- To enable the gas supply to be readily shut off by the customer, make sure the connection is fitted with an isolating valve close to the cooktop.

If connecting the gas with a flexible hose:

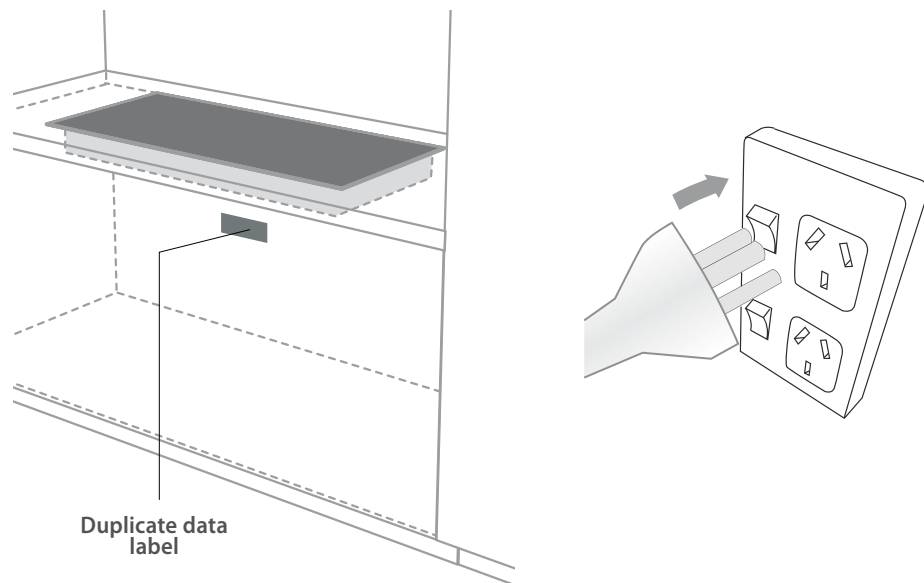
- Ensure the hose is long enough to allow for removal of cooktop for servicing.
- Make sure the connector is located as shown in step 5 CLEARANCE DIMENSIONS.
- The hose assembly must be AS/NZS 1869 Class B or D certified, with an Rp 1/2" (ISO 7-1) female thread connection.
- The hose assembly must be as short as practicable and comply with relevant AS 5601/NZS 5261 requirements.
- The hose must not be kinked, subjected to abrasion or permanently deformed.
- The hose must not be near or in contact with any hot surfaces (e.g. base of metal hotplate, flue, or chassis of underbench oven etc.)



13 CHECK ALL CONNECTIONS FOR GAS LEAKS

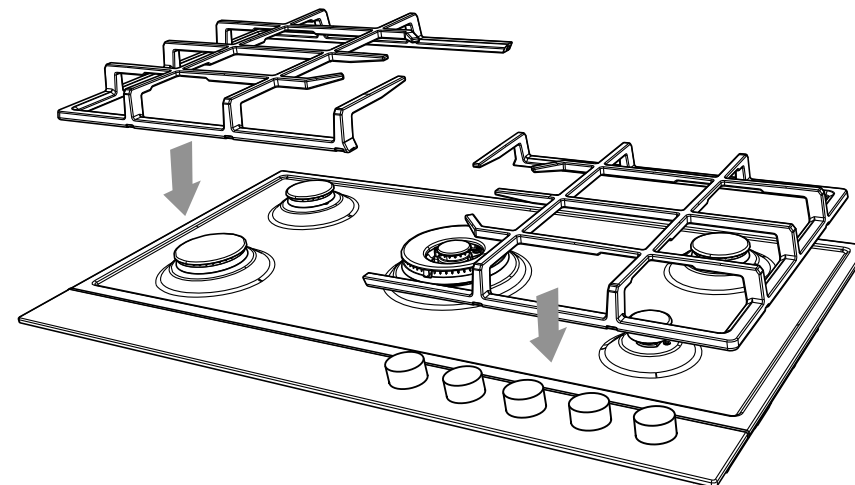


14 AFFIX DUPLICATE DATA LABEL SOMEWHERE ACCESSIBLE & PLUG COOKTOP IN



15 FIT PAN SUPPORTS

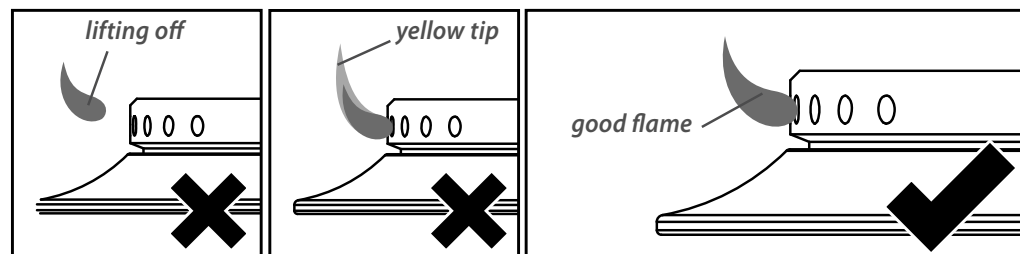
Ensure the pan supports are located securely and in the correct orientation (refer to User guide)



16 TEST OPERATION

- To check that the ignition system operates correctly, light each burner by itself, then all burners in combination.
- Check for a well-defined blue flame without any yellow tipping.
- If any abnormality is evident, check that the components of the burner assembly are located properly
- If proper operation cannot be obtained, contact Customer Care or your nearest F&P Authorised Service Centre.

The cooktop must not be used by the customer until proper operation has been achieved.

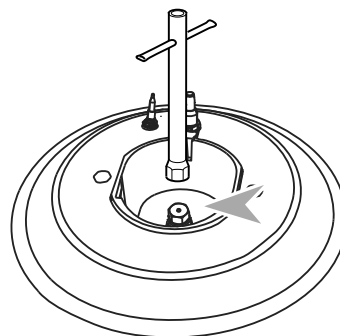
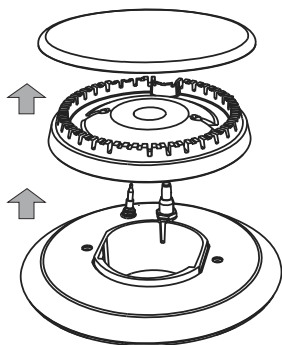
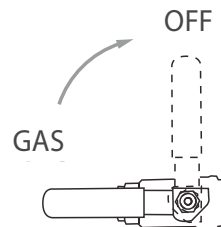


17 CONVERTING TO A DIFFERENT GAS TYPE

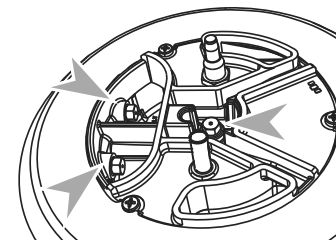
Important!

Gas conversion may only be carried out by a suitably qualified and registered person. To convert from one gas type to another you will need to replace the injectors and adjust the minimum burner setting.

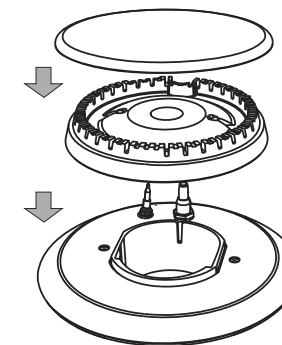
Replacing the Injectors



Auxiliary, rapid and semi-rapid burners

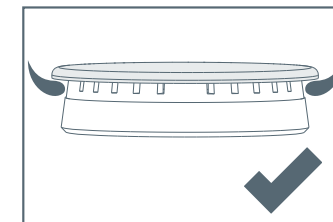
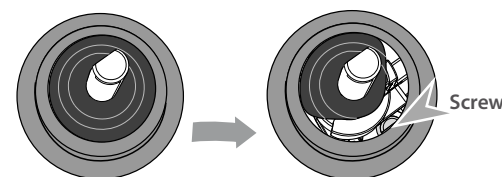
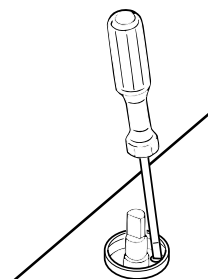
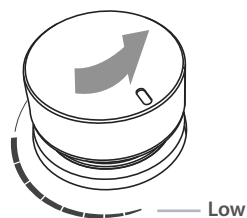
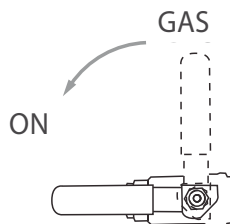


Wok burner



- 1 Switch off the power at the wall and ensure the gas supply is shut off at the connection point from the wall.
- 2 Remove all pan supports and burners.
- 3 Unscrew the injectors and replace with the supplied injectors.
 - Auxiliary, rapid and semi-rapid burners wok burners have 1 injector. Use a 7 mm box spanner.
 - Mini wok burner (CG604DX only) has 1 injector. Use a 7 mm ring spanner.
 - Wok burner (CG905DX only) has 3 injectors. Use a 7 mm ring spanner on two of them.
- 4 Replace the burners.

Reset the minimum setting



- 5 Switch on the power at the wall and turn the gas supply on at the connection point from the wall.
- 6 Light the burner and set the dial to the minimum (Low) setting.
- 7 Pull off the Dial. Under the dial is a plastic bezel. Under this is a rubber gasket.
 - Carefully slide a 2.5 x 45mm Flat head screwdriver down the inside edge of the plastic bezel.
 - Gently push the rubber gasket aside to access the screw below (located in the "5 o'clock" position).
 - Rotate the screw slowly until a minimum regular flame is achieved.
- 8 Replace the dial carefully. Ensure the dial is in the o (off) position. Replace the pan supports.
- 9 Check the regulation by quickly turning down the flame from maximum to the minimum setting – it must not go out. If the flame does go out, check the gas pressure has been correctly set (step 11) then re-adjust the minimum setting following steps 6-9 above.

Repeat for each burner.

Place the injector label over the existing 'gas type' label located on the underside of the product.



TO BE COMPLETED BY THE INSTALLER

- Have you installed the clamping brackets?
- Have you verified that the type of model (factory-set for NG or converted to LPG) matches the type of gas at the site of installation?
- Have you used the fibre washer supplied?
- Have you leak-tested all connections?
- Is the appliance set to the correct working pressure?
- Have you affixed the supplied duplicate data plate label on an adjacent surface accessible to the customer?
- Is the cooktop earthed?
- Have you checked that the power supply cable is NOT touching the cooktop?

OPERATION:

- Do all burners ignite both individually and in combination?
- Are the flames consistent and appropriately sized?
- Have you demonstrated the basic operation to the customer?

Installer's name:

Installer's signature:

Installation company:

Date of installation:

LEAVE THESE INSTRUCTIONS WITH THE CUSTOMER

Important!
SAVE THESE INSTRUCTIONS

The models shown in this document may not be available in all markets and are subject to change at any time. For current details about model and specification availability in your country, please visit our local website listed at the end of this document or contact your local Fisher & Paykel dealer.

