

# 76cm Series 9 Contemporary Compact Combi-Steam Oven

Contemporary

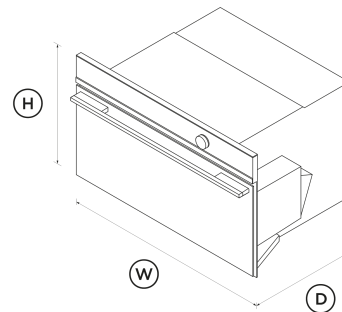


Designed for the home chef, our Combination Steam Oven simplifies the creation of healthy and delicious meals.

- 23 oven functions including Steam, Sous Vide, Air Fry and Crisp Regenerate
- Guided touchscreen cooking makes it simple to navigate cooking processes
- Help reduce food waste by rejuvenating leftovers with steam for fresh-tasting roasts, and risottos and more
- Easily maintain a spotless oven; Steam Clean lifts stubborn spills for quick wipe-downs

## DIMENSIONS

Height	458 mm
Width	760 mm
Depth	565 mm



## FEATURES & BENEFITS

### Combination cooking

Elevate every ingredient with combination steam cooking. By blending dry convection heat with adjustable steam levels, you can preserve the delicate texture of seafood like salmon and snapper, maintain the essential vitamins and minerals in greens, and enhance the rich flavours of prime cuts of meat.

### Mastery of temperature

Steam is eight times more efficient at conducting heat than convection, which means our combi steam oven can cook at reduced times and lower temperatures. It perfectly balances steam with convection heat, ensuring exceptional temperature accuracy for perfect roasting and crafting signature dishes.

### Preserve flavors and nutrients

Perfect for delicate dishes like snapper or salmon, steam cooking preserves nutrients and texture, offering a healthier way to enjoy meals. With specialised steam functions, including Sous Vide, the combi steam oven brings out the best in every ingredient, ensuring your creations are both nutritious and delicious.

### Cook with confidence

Using the large 5" touchscreen interface, you can cook with a favourite method, hero ingredient, cooking function, or recipe. Your oven will guide you through the steps, or change the temperature and heat type automatically, depending on your selection.

### Reheat and restore

Revitalise your leftovers with our Steam Regenerate function, ensuring dishes like roast chicken and risotto maintain their freshness and flavour. For that just-baked quality in pastries, bread, and pizza, opt for our Crisp Regenerate setting, which reheats to keep every bite deliciously crispy.

### Complementary design

Every detail has been carefully crafted from the finest materials to enhance your kitchen's aesthetic, perfectly suiting your design style.

### Steam clean

Keep your oven spotless with the natural power of steam. The steam clean feature helps tackle stubborn spills, allowing for a quick wipe-down.

## SPECIFICATIONS

---

<b>Accessories (included)</b>	
Catalytic panels	•
Descaler solution	2
Flat brushed baking tray	1
Full extension sliding shelves	1 set
Grill rack	1 set
Large steam dish	1
Perforated large steam dish	1
Perforated small steam dish	1
Roasting dish	1
Wire shelf	1
Wired temperature sensor	1

---

<b>Capacity</b>	
Shelf positions	4
Total capacity	55 L
Usable capacity	45 L
Water tank capacity	1.4L

---

<b>Cleaning</b>	
Acid resistant graphite enamel	•
Descaler cycle	•
Drying cycle	•
Easy to clean interior	•
Removable oven door	•
Removable oven door inner glass	•
Removable side ladders	•
Removable water tank	•

Steam clean (oven) •

---

**Connected Features**

Cyber security updates until **27 / 08 / 2029**

---

**Controls**

- Adjustable audio and display settings •
  - Audio feedback •
  - Automatic cooking/minute timer •
  - Automatic pre-set temperatures •
  - Celsius/Fahrenheit temperature •
  - Delay start •
  - Dial with illuminated halo •
  - Electronic capacitive touch controls •
  - Electronic clock •
  - Electronic oven control •
  - Guided cooking by food types •
  - Internal Light •
  - Intuitive touchscreen display •
  - Multi-language display **true**
  - Sabbath mode with Mehadrin certification •
  - Smart appliance •
  - Soft close doors •
  - Temperature sensor •
  - Touch control glass interface •
  - True convection oven •
  - Voice control •
  - Wireless temperature sensor compatible •
- 

**Functions**

- Air fry •
  - Bake •
  - Classic bake •
  - Crisp regenerate •
  - Fan bake •
  - Fan forced •
  - Fan forced + High steam •
  - Fan forced + Low steam •
  - Fan forced + Medium steam •
  - Fan grill •
  - Grill •
  - Pastry Bake •
  - Pizza bake •
  - Roast •
  - Slow cook •
  - Sous vide •
  - Steam •
  - Steam clean (oven) •
  - Steam defrost •
  - Steam proof •
  - Steam regenerate •
  - Vent bake •
  - Warm •
- 

**Performance**

- ActiveVent™ system •
  - AeroTech™ technology •
  - Automatic rapid pre-heat •
  - Temperature range **35 - 230**
-

**Power requirements**

Amperage	20 A
Supply frequency	50 Hz
Supply voltage	220-240 V

---

**Product dimensions**

Depth	565 mm
Height	458 mm
Width	760 mm

---

SKU 82611

---

The product dimensions and specifications in this page apply to the specific product and model. Under our policy of continuous improvement, these dimensions and specifications may change at any time. You should therefore check with Fisher & Paykel's Customer Care Centre to ensure this page correctly describes the model currently available. © Fisher & Paykel Appliances Ltd 2020

**Other product downloads available at fisherpaykel.com**

- [↓](#) DWG
- [↓](#) DXF
- [↓](#) Installation Guide (English)
- [↓](#) Planning Guide - Contemporary Stainless Steel 76cm Built-in Ovens and Companions (English)
- [↓](#) Revit
- [↓](#) User Guide (English)

Where applicable:

All appliances use energy, and energy usage typically generates carbon emissions. **Fisher & Paykel Appliances' In-use Energy Carbon Emissions Estimate** indicates carbon emissions from a product's in-use energy. This is calculated either annually or per cycle, using the product's market-specific energy label energy consumption data multiplied by the carbon emissions factor for energy in your country or region.

Our In-use Energy Carbon Emissions Estimate is designed to assist customers in making informed purchasing decisions when comparing different Fisher & Paykel products. For example, a heat pump dryer typically has a lower In-use Energy Carbon Emissions Estimate than a vented dryer.



**A PEACE OF MIND SALE**  
24 Hours 7 Days a Week Customer Support

T 1300 650 590 W [www.fisherpaykel.com](http://www.fisherpaykel.com)