

FISHER & PAYKEL

DATA SHEET Built-under Dishwasher, Recessed Handle, 60cm

Model no:
DW60UNT4X2, DW60UNT4B2, DW60UZT4B2

Product Dimensions	mm
Ⓐ Overall height of product*	857 - 917
Ⓑ Overall width of product	597
Ⓒ Overall depth of product	574
Ⓓ Height of chassis	857
Ⓔ Depth of chassis	521
Ⓕ Height of feet*	0 - 60
Ⓖ Height of toe kick panel	
• Custom panel	115 - 175
• Pre-finished panel	127
Ⓗ Width of toe kick panel	
• Custom panel**	min. 596
• Pre-finished panel	596
Ⓙ Depth of toe kick panel	
• Custom panel***	min. 16
• Pre-finished panel	16
Ⓚ Depth of toe kick recess	120
Ⓛ Depth of inner door	33
Ⓛ Depth of outer door	20
Ⓜ Height from top of chassis to bottom of inner door	720
Ⓝ Height from bottom of inner door to floor*	138 - 198
Ⓞ Depth of door opening	656
Ⓟ Door panel height	669
Ⓠ Handle height	48
Ⓡ Height from handle grip to top of the chassis	34

*depending on adjustment of levelling feet
** Continuous toe kick installations are possible
***if using supplied toe kick mounting screws

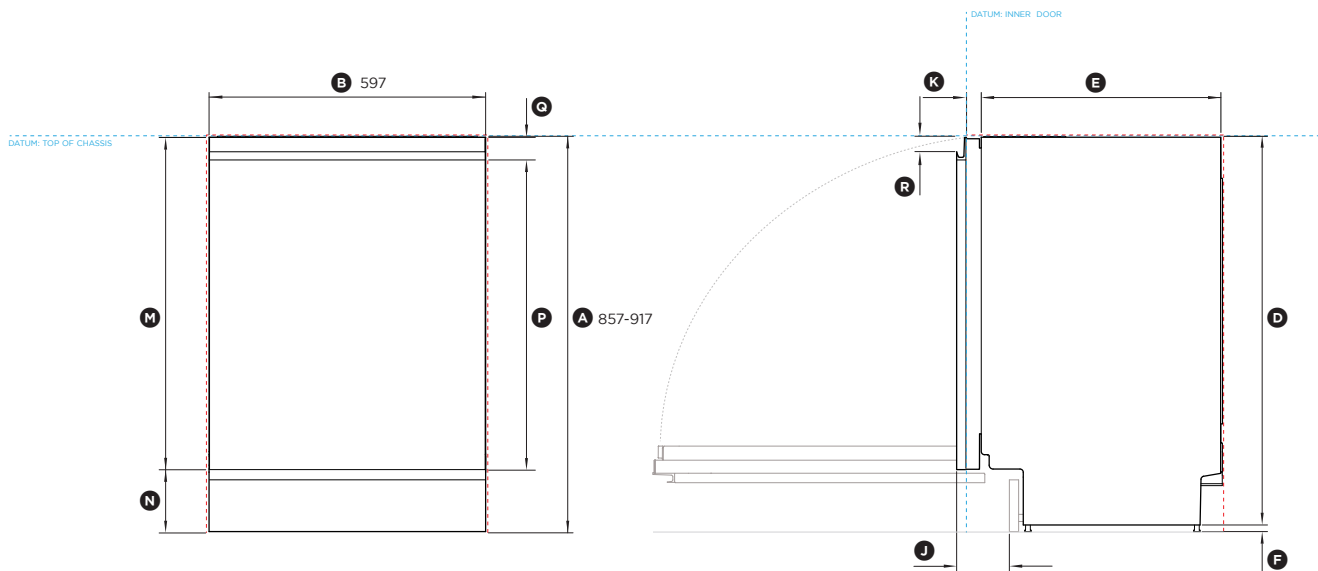
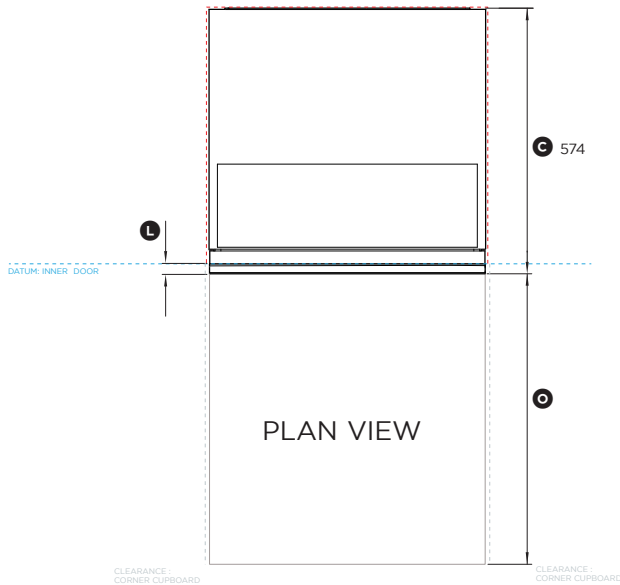
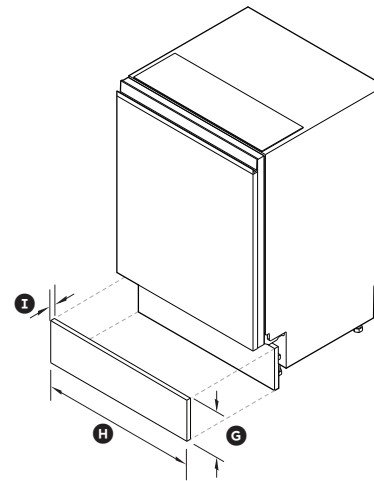
Minimum Clearances	mm
Minimum inside width of cavity	600
Minimum overall depth of cavity**	580
Minimum inside height of cavity*	857
Recommended height of adjacent cabinetry	713 - 794
Height of toe kick area	65 - 200
Minimum clearance to adjacent cupboard door	2
Minimum clearance to corner cupboard	13

*depending on adjustment of levelling feet
**Including 19mm door panels on adjacent cabinetry

INDICATES PRODUCT DATUM
INDICATES CABINETRY CLEARANCES - - - - -

DATE: 22.02.2022

IMPORTANT NOTE: Throughout this guide, dimensions may vary by ± 2 mm. Please read the installation guide for detailed information on installing the product. For full installation instructions & specifications visit fisherpaykel.com



FRONT VIEW

PROFILE VIEW

