

**76CM CONTEMPORARY OVENS AND
COMPANIONS**

PLANNING GUIDE

SERIES 9 & 11

PYROLYTIC OVEN | OB76SCPUDX3

PYROLYTIC STEAM ASSIST OVEN | OB76SCPSUDX3

COMPACT COMBI-STEAM | OS76NCUDX3

COMPACT COMBI-MICROWAVE | OM76NCUDX3

BUILT-IN COFFEE MAKER | EB60CSX3

TRIM KIT | TK7630NCX3

WARMING DRAWER | WB76SCX3, WB76SDEI3

FISHER & PAYKEL

INTRODUCTION

This comprehensive planning guide provides you with the framework and tools to achieve your desired design outcome with Fisher & Paykel appliances. In this guide, you will find a range of conceptual, detailed, and dimensional product information to bring your ideas to life and create spaces that truly reflect your vision.

SUPPORT

For additional design planning and installation support please contact the Fisher & Paykel design support team.
designsupport@fisherpaykel.com

NOTES

The models shown in this Planning Guide may not be available in all markets and are subject to change at any time. Refer to our website fisherpaykel.com for the latest document version. Product specifications may vary from those shown. This Planning Guide should not be used as installation guidance for any product. Specific installation guidance will be available with the product on delivery and on our website.

CONCEPT DESIGN PAGE

DESIGN CHOICE

Styles	4
Contemporary Family	5
Installation Options	6
Overview	7

SPECIFICATION GUIDE

Pyrolytic Oven	9
Pyrolytic Steam Assist Oven	10
Compact Combi-Steam Oven	11
Compact Combi-Microwave Oven	12
Built-In Coffee Maker with Trim Kit	13
Warming Drawer	14
Integrated Warming Drawer	15
Dimensions - Ovens	16
Dimensions - Companions	17
Services	18

DEVELOPED AND DETAILED DESIGN PAGE

DATA SHEETS

Pyrolytic Oven	20
Pyrolytic Steam Assist Oven	21
Compact Combi-Steam Oven	22
Compact Combi-Microwave Oven	23
Built-In Coffee Maker with Trim Kit	24
Warming Drawer	25
Integrated Warming Drawer	26

DEVELOPED AND DETAILED DESIGN PAGE

PLANNING CONSIDERATIONS

Cabinetry Preparation	28
Clearances	29
Ventilation	30
Stack Height	31
Pyrolytic Oven	32
Pyrolytic Steam Assist Oven	33
Compact Combi-Steam Oven	34
Compact Combi-Microwave Oven	35
Built-In Coffee Maker with Trim Kit	36
Warming Drawer	37
Integrated Warming Drawer	38

SERVICES

Power Cord Length and Location - Ovens	40
Power Cord Length and Location - Compact Ovens	41
Power Cord Length and Location - Companions	42

DESIGN CHOICE



MINIMAL STYLE - HANDLELESS

MINIMAL STYLE

CONTEMPORARY STYLE

PROFESSIONAL STYLE

Celebrating a singular aesthetic to blend seamlessly into the kitchen, Minimal style ovens feature subtle textural and tonal contrasts for a sense of refinement and purity.

Defined by clean lines and timeless design cues, Contemporary style ovens bring a sense of balance and refinement. A versatile aesthetic that complements a range of kitchen styles.

Distinctive and bold, Professional style ovens are the perfect interpretation of the commercial kitchen for the home chef. Experience refined performance with stainless steel construction that is built to last.

This Planning Guide is for the Contemporary Style featuring 76cm Ovens and Companions. For information on other styles, please visit the Fisher and Paykel website. To see what models are available, head to the 'Overview' section in this Planning Guide.

The models shown in this Planning Guide may not be available in all markets and are subject to change at any time. Product specifications may vary from those shown. This Planning Guide should not be used as installation guidance for any product. Further information is required to safely and correctly install the products featured here. Specific installation guidance will be available with the product on delivery and on our website fisherpaykel.com

FINISH

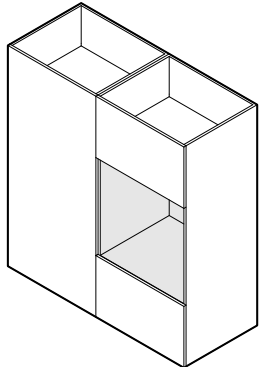
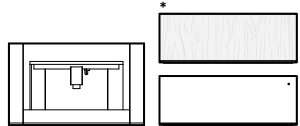
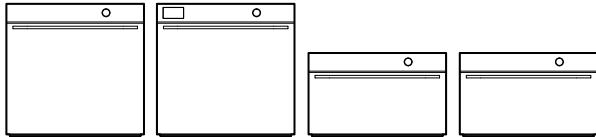
OVENS

COMPANIONS

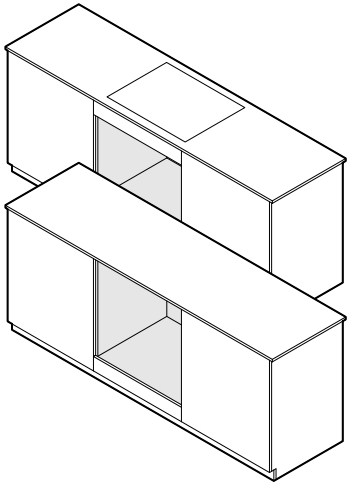
INSTALLATION OPTIONS

	SELF-CLEANING STEAM ASSIST	SELF-CLEANING STEAM ASSIST	STEAM	SPEED
--	-------------------------------	-------------------------------	-------	-------

COFFEE MAKER	WARMING DRAWERS
--------------	-----------------



Installation in wall



Installation under-bench

*Integrated model, panel ready for a custom front panel.

The models shown in this Planning Guide may not be available in all markets and are subject to change at any time. Product specifications may vary from those shown. This Planning Guide should not be used as installation guidance for any product. Further information is required to safely and correctly install the products featured here. Specific installation guidance will be available with the product on delivery and on our website fisherpaykel.com

CONSIDERATIONS

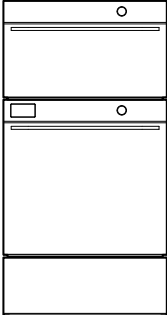
Different configurations possible, consider heights for grid and row installations.

STACK HEIGHT

Stack Height is overall product height with minimum clearance above appliance front panel to upper cabinetry front panel or appliance.

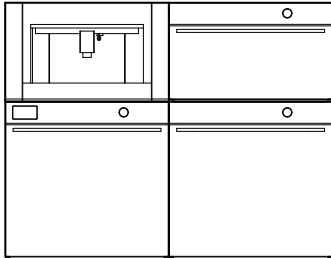
STACKED INSTALLATION

Stack Height
1462mm

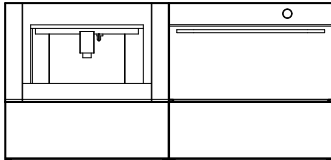


GRID INSTALLATION

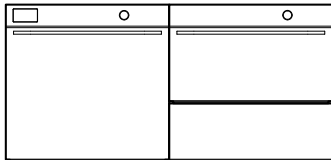
Stack Height
1191mm



Stack Height
731mm

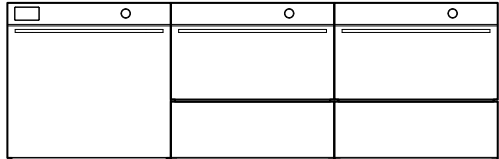


Stack Height
731mm

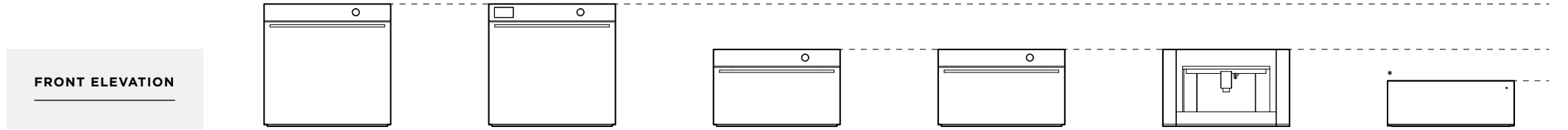


ROW INSTALLATION

Stack Height
731mm

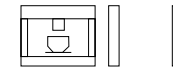
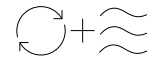
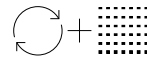
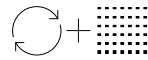
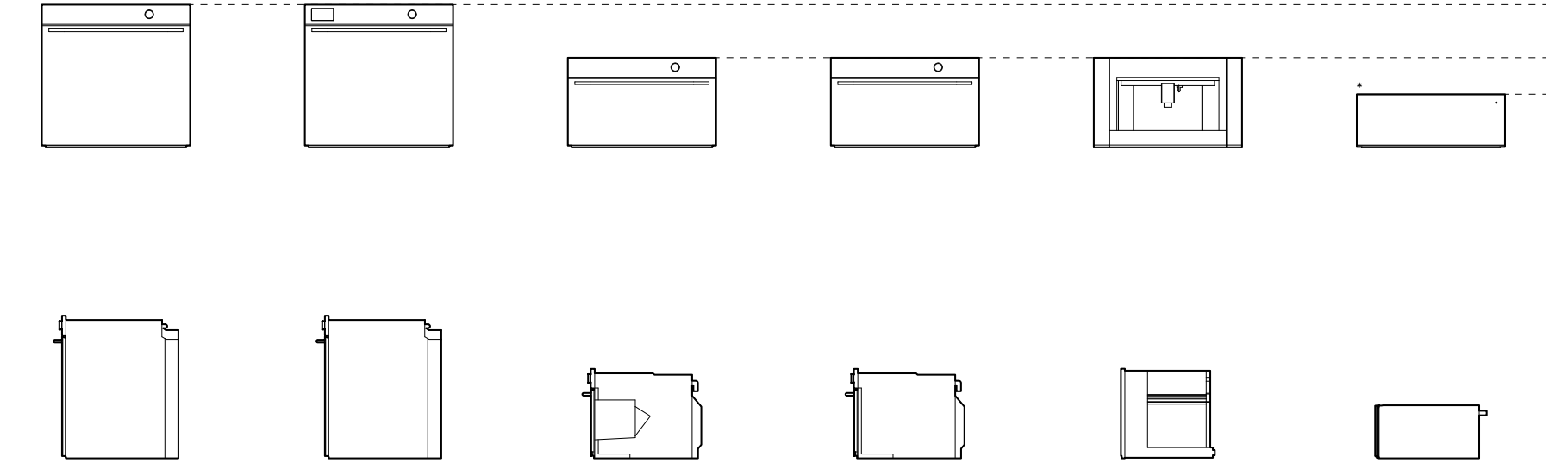


The models shown in this Planning Guide may not be available in all markets and are subject to change at any time. Product specifications may vary from those shown. This Planning Guide should not be used as installation guidance for any product. Further information is required to safely and correctly install the products featured here. Specific installation guidance will be available with the product on delivery and on our website fisherpaykel.com



FRONT ELEVATION

SIDE ELEVATION



	PYROLYTIC OVEN	PYROLYTIC STEAM ASSIST OVEN	COMPACT COMBI-STEAM OVEN	COMPACT COMBI-MICROWAVE OVEN	BUILT-IN COFFEE MAKER WITH TRIM KIT	WARMING DRAWER
Series	Series 9	Series 11	Series 9	Series 9	Series 9	Series 9
Brushed Silver Glass Models	OB76SCPUDX3	OB76SCPSUDX3	OS76NCUDX3	OM76NCUDX3	EB60CSX3, TK7630NCX3	WB76SCX3
Integrated Models	-	-	-	-	-	WB76SDEI3
Interface	6.8" Touchscreen	6.8" Touchscreen	6.8" Touchscreen	6.8" Touchscreen	4.3" Touchscreen	-
Overall Height	729mm	729mm	458mm	458mm	458mm	271mm
Front Panel Thickness	20mm	20mm	20mm	20mm	20mm	20mm

*Integrated models available.

The models shown in this Planning Guide may not be available in all markets and are subject to change at any time. Product specifications may vary from those shown. This Planning Guide should not be used as installation guidance for any product. Further information is required to safely and correctly install the products featured here. Specific installation guidance will be available with the product on delivery and on our website fisherpaykel.com

SPECIFICATION GUIDE

SERIES 11 & 9



OVERVIEW

Designed to be distinctive and timeless, this Contemporary oven matches with our Contemporary style family of appliances. Pyrolytic self-cleaning simplifies maintenance, while precise cooking methods with temperature and heat type recommendations for a wide range of food types are easily accessed via the large touch screen and SmartHQ™.

PRODUCTS

OB76SCPUDX3

76cm Series 9 Contemporary Pyrolytic Oven

SERIES & STYLE

Series 9
Contemporary

FEATURES

- ① Contemporary style is distinctive and timeless. Designed to match with our Contemporary style family of appliances
- ② Self-cleaning pyrolytic function breaks down food residue for an easy clean
- ③ Premium soft-close door with advanced thermal performance
- ④ Generous 130L useable capacity
- ⑤ Large 6.8" touchscreen is intuitive and easy to use
- ⑥ Create perfect results with precise cooking methods, with temperature and heat type recommendations for your food type
- ⑦ Twin vertical fans, perfect for multi-shelf cooking
- ⑧ Includes a wired temperature sensor for real-time monitoring of cooking temperatures
- ⑨ Connected capability via the SmartHQ™ app gives control & visibility from anywhere at anytime

ACCESSORIES

- ① Pyro-proof Side Ladders
- ② Full Extension Sliding Shelf (x2)
- ③ Multi-functional Air Fry Tray
- ④ Roasting Dish
- ⑤ Wired Temperature Sensor



The models shown in this Planning Guide may not be available in all markets and are subject to change at any time. Product specifications may vary from those shown. This Planning Guide should not be used as installation guidance for any product. Further information is required to safely and correctly install the products featured here. Specific installation guidance will be available with the product on delivery and on our website fisherpaykel.com



OVERVIEW

Designed to be distinctive and timeless, this Contemporary oven matches with our Contemporary style family of appliances. Steam Assist enhances convection cooking, while pyrolytic cleaning simplifies maintenance. Precise cooking methods with temperature and heat type recommendations for a wide range of food types are easily accessed via the large touch screen and SmartHQ™.

PRODUCTS

OB76SCPSUDX3

76cm Series 11 Contemporary Pyrolytic Steam Assist Oven

SERIES & STYLE

Series 11
Contemporary

ACCESSORIES

- ① Pyro-proof Side Ladders
- ② Full Extension Sliding Shelf (x2)
- ③ Multi-functional Air Fry Tray
- ④ Roasting Dish
- ⑤ Wired Temperature Sensor
- ⑥ Descale Solution - 2 sachets (Part 580925)

FEATURES

- ① Contemporary style is distinctive and timeless. Designed to match with our Contemporary style family of appliances
- ② Steam Assist combines convection heat with steam to enhance the cooking process
- ③ Self-cleaning pyrolytic function breaks down food residue for an easy clean
- ④ Premium soft-close door with advanced thermal performance
- ⑤ Generous 130L useable capacity
- ⑥ Large 6.8" touchscreen is intuitive and easy to use
- ⑦ Create perfect results with precise cooking methods, with temperature and heat type recommendations for your food type
- ⑧ Twin vertical fans, perfect for multi-shelf cooking
- ⑨ Includes a wired temperature sensor for real-time monitoring of cooking temperatures
- ⑩ Connected capability via the SmartHQ™ app gives control & visibility from anywhere at anytime



The models shown in this Planning Guide may not be available in all markets and are subject to change at any time. Product specifications may vary from those shown. This Planning Guide should not be used as installation guidance for any product. Further information is required to safely and correctly install the products featured here. Specific installation guidance will be available with the product on delivery and on our website fisherpaykel.com



OVERVIEW

Designed to be distinctive and timeless, this Contemporary Combi-Steam oven matches with our Contemporary style family of appliances. With versatile cooking options including steam or convection, plus a Steam Clean function for easy maintenance. Precise cooking methods with temperature and heat type recommendations for a wide range of food types are easily accessed via the large touch screen and SmartHQ™.

PRODUCTS

OS76NCUDX3
76cm Series 9 Contemporary Compact Combi-Steam Oven

SERIES & STYLE

Series 11
Contemporary

ACCESSORIES

- ① Chrome Side Ladders
- ② Full Extension Sliding Shelf
- ③ Flat Wire Shelf
- ④ Flat Brushed Baking Tray
- ⑤ Roasting Dish
- ⑥ Grill Rack

FEATURES

- ① Contemporary style is distinctive and timeless. Designed to match with our Contemporary style family of appliances
- ② Versatile cooking options with steam or convection heat for optimal results
- ③ Premium soft open and close door
- ④ 45L useable capacity with four shelf positions
- ⑤ Large 6.8" touchscreen is intuitive and easy to use
- ⑥ Create perfect results with precise cooking methods, with temperature and heat type recommendations for your food type
- ⑦ Moisture control and even heat distribution thanks to ActiveVent™ and AeroTech™ technology
- ⑧ Steam Clean function ensures a spotless oven with minimal effort
- ⑨ Includes a wired temperature sensor for real-time monitoring of cooking temperatures
- ⑩ Connected capability via the SmartHQ™ app gives control & visibility from anywhere at anytime

ACCESSORIES

- ⑦ Large Perforated Steam Dish
- ⑧ Small Perforated Steam Dish
- ⑨ Large Steam Dish
- ⑩ Wired Temperature Sensor
- ⑪ Descale Solution - 2 sachets (Part 580925)



The models shown in this Planning Guide may not be available in all markets and are subject to change at any time. Product specifications may vary from those shown. This Planning Guide should not be used as installation guidance for any product. Further information is required to safely and correctly install the products featured here. Specific installation guidance will be available with the product on delivery and on our website fisherpaykel.com



OVERVIEW

Designed to be distinctive and timeless, this Contemporary Combi-Microwave oven matches with our Contemporary style family of appliances. Versatile cooking options including microwave or convection offer efficient heating across a variety of dishes. Precise cooking methods with temperature and heat type recommendations for a wide range of food types are easily accessed via the large touch screen and SmartHQ™.

PRODUCTS

OM76NCUDX3

76cm Series 9 Contemporary Compact Combi-Microwave Oven

SERIES & STYLE

Series 9
Contemporary



FEATURES

- ① Contemporary style is distinctive and timeless. Designed to match with our Contemporary style family of appliances
- ② Combines fast microwave cooking with even convection heat for versatile, efficient heating across a variety of dishes
- ③ With soft open and close, the CoolTouch door is safe to touch from the outside - protecting hands and surrounding cabinetry
- ④ Generous 38L useable capacity with four shelf positions
- ⑤ Large 6.8" touchscreen is intuitive and easy to use
- ⑥ Create perfect results with precise cooking methods, with temperature and heat type recommendations for your food type
- ⑦ Includes a wired temperature sensor for real-time monitoring of cooking temperatures
- ⑧ Connected capability via the SmartHQ™ app gives control & visibility from anywhere at anytime

ACCESSORIES

- ① Chrome Side Ladders
- ② Flat Wire Shelf
- ③ Step Down Wire Shelf
- ④ Grill Rack
- ⑤ Glass Tray
- ⑥ Wired Temperature Sensor

The models shown in this Planning Guide may not be available in all markets and are subject to change at any time. Product specifications may vary from those shown. This Planning Guide should not be used as installation guidance for any product. Further information is required to safely and correctly install the products featured here. Specific installation guidance will be available with the product on delivery and on our website fisherpaykel.com

**OVERVIEW**

Designed to be distinctive and timeless, this Contemporary Coffee Maker matches with our Contemporary style family of appliances. It remembers your favourite brews over time, offering personalised coffee at the touch of a button. With precise grinding, creamy milk frothing, and effortless self-cleaning, it brings barista-quality coffee home.

PRODUCTS**EB60CSX3**

60cm Series 9 Contemporary Built-in Coffee Maker

TK7630NCX3

76cm Series 9 Contemporary Trim Kit

Note: Trim Kit purchased separately.

SERIES & STYLE

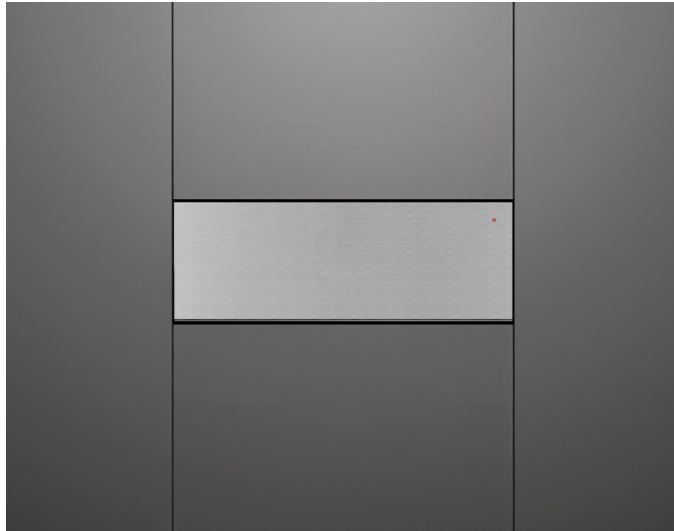
Series 9

Contemporary

FEATURES

- ① Contemporary style is distinctive and timeless. Designed to match with our Contemporary style family of appliances
- ② Intuitive touch display brews a perfect cup of coffee at the touch of a button
- ③ Programmable timer turns on the Coffee Maker at the ideal time each day
- ④ Personalised coffee and smart self-learning menu preferences with 13 functions to suit any taste
- ⑤ Allows you to prepare hot milk or creamy froth in seconds
- ⑥ Stainless steel conical burr grinder with 13 coarseness positions
- ⑦ 15 bar pump pressure
- ⑧ Self-cleaning function and easy to empty coffee grounds container and drip tray
- ⑨ 2.4L water tank capacity





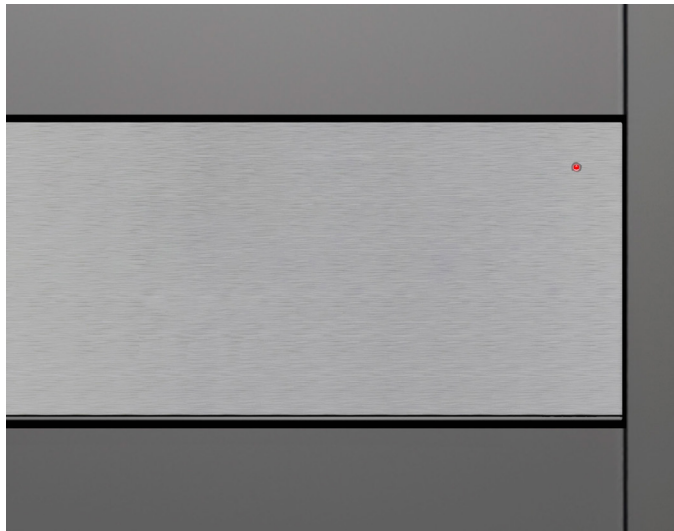
OVERVIEW

Designed to be distinctive and timeless, this Contemporary Warming Drawer matches with our Contemporary style family of appliances. Featuring a push-to-open mechanism, intuitive touch controls, and a smooth glass base for easy cleaning. With six tailored programmes and space for 16 place settings, it keeps meals ready to serve.

PRODUCTS

WB76SCX3

76cm Series 9 Contemporary Warming Drawer



SERIES & STYLE

Series 9
Contemporary

FEATURES

- ① Contemporary style is distinctive and timeless. Designed to match with our Contemporary style family of appliances
- ② Push-to-open drawer, designed for added convenience
- ③ Simple and intuitive touch controls for effortless operation
- ④ Easy-to-clean glass base
- ⑤ Automatic switch-off and delayed start functionality to help keep dishes warm until it is time to serve
- ⑥ Room for 16 standard-sized place settings
- ⑦ Six tailored programmes including Warming, Proofing, Dehydrating, and Slow Cooking offer convenience and flexibility

ACCESSORIES

- ① Accessory rack for optimising space



Integrated Warming Drawer WB76SDEI3 with Compact Combi-Steam Oven OS76NCUDX3

OVERVIEW

Panel ready design allows for seamless integration and customisation of this Warming Drawer with kitchen cabinetry for a cohesive kitchen look. Featuring a push-to-open mechanism, intuitive touch controls, and a smooth glass base for easy cleaning. With six tailored programmes and space for 16 place settings, it keeps meals ready to serve.

PRODUCTS

WB76SDEI3*
76cm Series 9 Integrated Warming Drawer

*Panel ready.

SERIES & STYLE

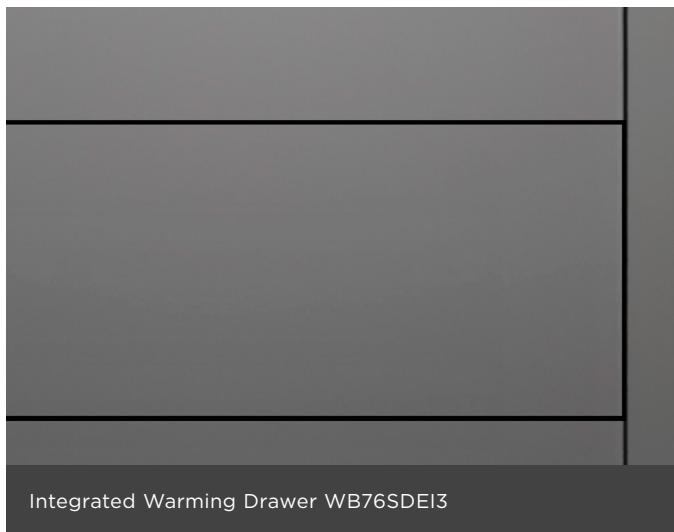
Series 9
Integrated

FEATURES

- ① Panel ready design allows for seamless integration and customisation with kitchen cabinetry for a cohesive kitchen look
- ② Push-to-open drawer, designed for added convenience
- ③ Simple and intuitive touch controls for effortless operation
- ④ Automatic switch-off and delayed start functionality to help keep dishes warm until it is time to serve
- ⑤ Room for 16 standard-sized place settings
- ⑥ Six tailored programmes including Warming, Proofing, Dehydrating, and Slow Cooking offer convenience and flexibility

ACCESSORIES

- ① Accessory rack for optimising space

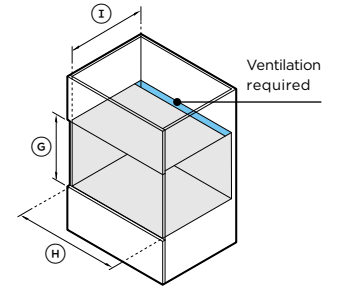
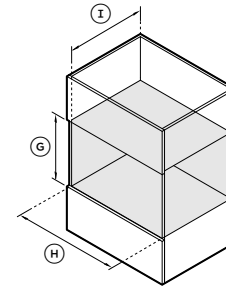
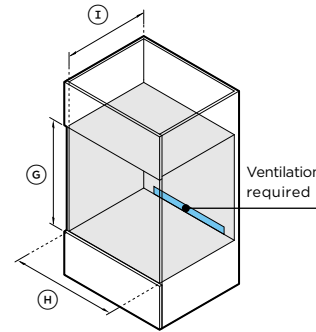
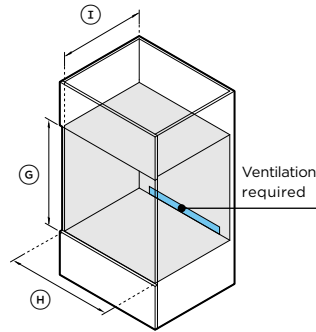
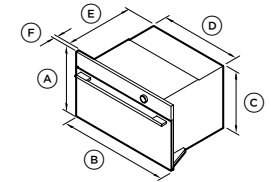
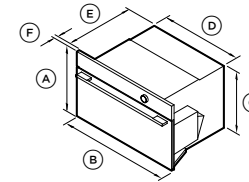
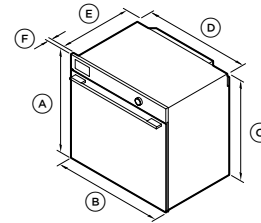
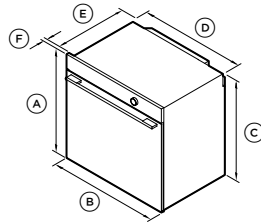


Integrated Warming Drawer WB76SDEI3

The models shown in this Planning Guide may not be available in all markets and are subject to change at any time. Product specifications may vary from those shown. This Planning Guide should not be used as installation guidance for any product. Further information is required to safely and correctly install the products featured here. Specific installation guidance will be available with the product on delivery and on our website fisherpaykel.com

PRODUCT DIMENSIONS

CAVITY DIMENSIONS



PRODUCT DIMENSIONS	
A	Overall height
B	Overall width
C	Chassis height
D	Chassis width
E	Chassis depth
F	Control panel thickness
	Depth with door fully open*

PYROLYTIC OVEN OB76SCPUDX3	
	mm
A	729
B	758
C	708
D	720
E	575
F	20
	594

PYROLYTIC STEAM ASSIST OVEN OB76SCPSUDX3	
	mm
A	729
B	758
C	708
D	720
E	575
F	20
	594

COMPACT COMBI-STEAM OVEN OS76NCUDX3	
	mm
A	458
B	758
C	435
D	720
E	545
F	20
	320

COMPACT COMBI-MICROWAVE OVEN OM76NCUDX3	
	mm
A	458
B	758
C	435
D	720
E	545
F	20
	320

CAVITY DIMENSIONS	
G	Minimum inside height of cavity
H	Minimum inside width of cavity
I	Minimum inside depth of cavity*
	Recommended cabinet height
	Recommended cabinet width

PYROLYTIC OVEN OB76SCPUDX3	
	mm
G	712
H	724
I	597**
	731
	762

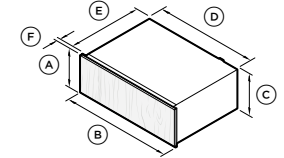
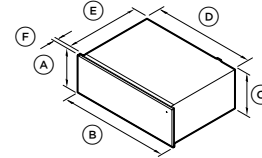
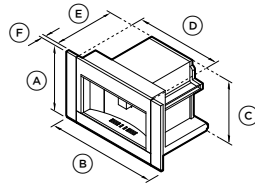
PYROLYTIC STEAM ASSIST OVEN OB76SCPSUDX3	
	mm
G	712
H	724
I	597**
	731
	762

COMPACT COMBI-STEAM OVEN OS76NCUDX3	
	mm
G	440
H	724
I	550
	460
	762

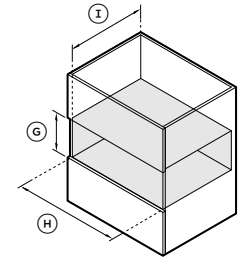
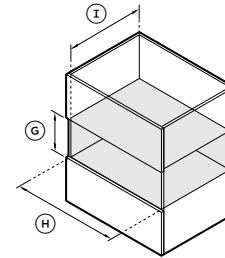
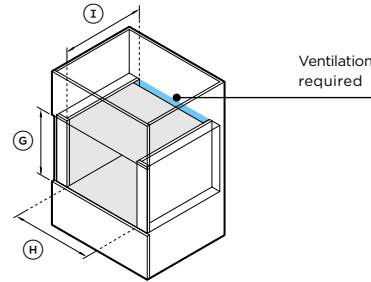
COMPACT COMBI-MICROWAVE OVEN OM76NCUDX3	
	mm
G	440
H	724
I	550**
	460
	762

*Measured from front of chassis. **Requires ventilation at the rear of the cavity. For more information, refer to the 'Ventilation' section of this Planning Guide.

PRODUCT DIMENSIONS



CAVITY DIMENSIONS



PRODUCT DIMENSIONS	
Ⓐ Overall height	
Ⓑ Overall width	
Ⓒ Chassis height	
Ⓓ Chassis width	
Ⓔ Chassis depth	
Ⓕ Control panel/front panel thickness	
Front panel height	
Front panel width	

BUILT-IN COFFEE MAKER WITH TRIM KIT EB60CSX3, TK7630NCX3	
	mm
Ⓐ Overall height	458*
Ⓑ Overall width	758*
Ⓒ Chassis height	445
Ⓓ Chassis width	560
Ⓔ Chassis depth	460
Ⓕ Control panel/front panel thickness	20*
Front panel height	-
Front panel width	-

WARMING DRAWER WB76SCX3	
	mm
Ⓐ Overall height	271
Ⓑ Overall width	758
Ⓒ Chassis height	271
Ⓓ Chassis width	704
Ⓔ Chassis depth	547**
Ⓕ Control panel/front panel thickness	20
Front panel height	267
Front panel width	758

INTEGRATED WARMING DRAWER WB76SDEI3	
	mm
Ⓐ Overall height	271
Ⓑ Overall width	758
Ⓒ Chassis height	271
Ⓓ Chassis width	723
Ⓔ Chassis depth	566
Ⓕ Control panel/front panel thickness	min 16***
Front panel height	min 267
Front panel width	min 758

*Measurements with trim kit. **Including power plug. ***A clearance of 2mm between the cabinet and the custom panel is required for the push-to-open mechanism (spacer included). Maximum custom panel weight 5kg.

CAVITY DIMENSIONS	
Ⓖ Minimum inside height of cavity	
Ⓗ Minimum inside width of cavity	
Ⓙ Minimum inside depth of cavity**	
Recommended cabinet height	
Recommended cabinet width	

BUILT-IN COFFEE MAKER WITH TRIM KIT EB60CSX3, TK7630NCX3	
	mm
Ⓖ Minimum inside height of cavity	450
Ⓗ Minimum inside width of cavity	560*
Ⓙ Minimum inside depth of cavity**	545***
Recommended cabinet height	460
Recommended cabinet width	762

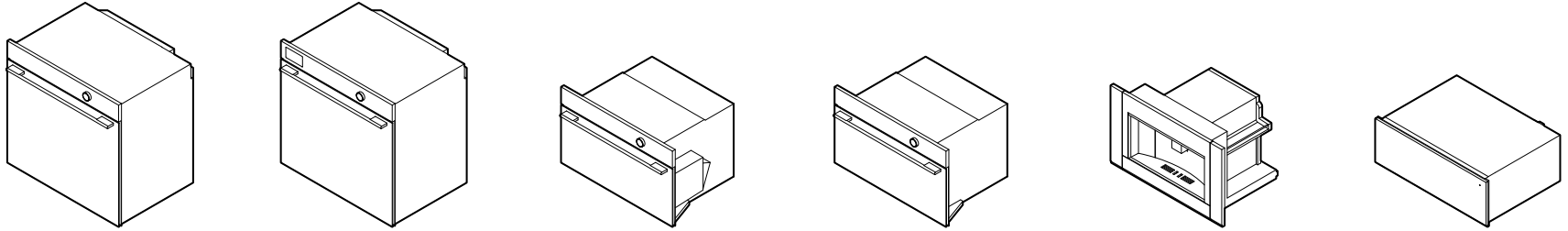
WARMING DRAWER WB76SCX3	
	mm
Ⓖ Minimum inside height of cavity	273
Ⓗ Minimum inside width of cavity	724
Ⓙ Minimum inside depth of cavity**	580
Recommended cabinet height	273
Recommended cabinet width	762

INTEGRATED WARMING DRAWER WB76SDEI3	
	mm
Ⓖ Minimum inside height of cavity	273
Ⓗ Minimum inside width of cavity	724
Ⓙ Minimum inside depth of cavity**	580
Recommended cabinet height	273
Recommended cabinet width	762

*Cabinetry requires additional vertical sidewalls to secure the product. **Measured from front of chassis. ***Requires ventilation at the rear of the cavity. For more information, refer to the 'Ventilation' section of this Planning Guide.
Note: Drawers can fully support 76cm Fisher & Paykel oven, without adding shelf in between.

The models shown in this Planning Guide may not be available in all markets and are subject to change at any time. Product specifications may vary from those shown. This Planning Guide should not be used as installation guidance for any product. Further information is required to safely and correctly install the products featured here. Specific installation guidance will be available with the product on delivery and on our website fisherpaykel.com

ISOMETRIC VIEW

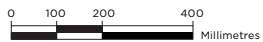
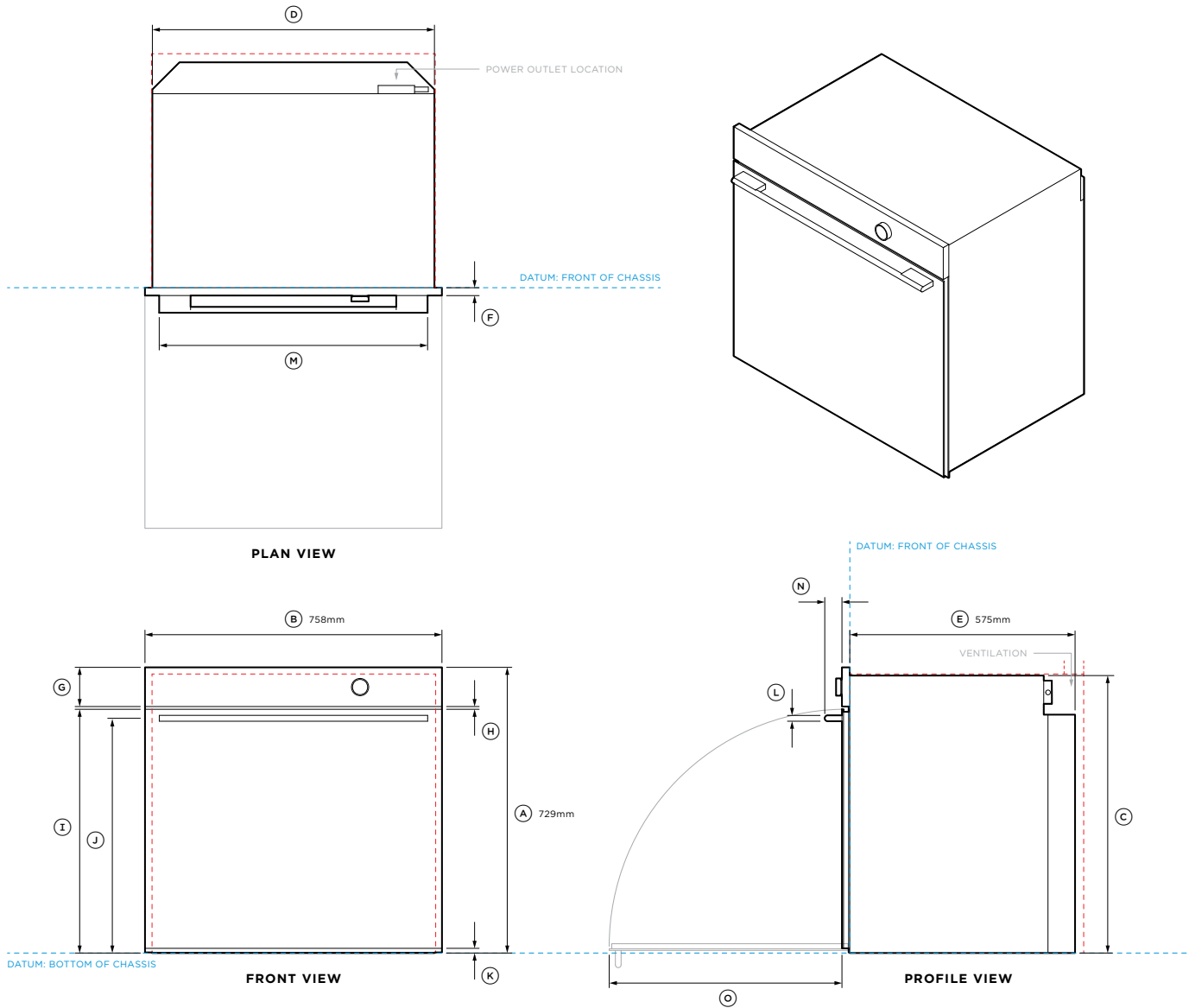


	PYROLYTIC OVEN OB76SCPUDX3	PYROLYTIC STEAM ASSIST OVEN OB76SCPSUDX3	COMPACT COMBI-STEAM OVEN OS76NCUDX3	COMPACT COMBI-MICROWAVE OVEN OM76NCUDX3	BUILT-IN COFFEE MAKER WITH TRIM KIT EB60CSX3, TK7630NCX3	WARMING DRAWER WB76SCX3, WB76SDEI3
PRODUCT REQUIREMENTS						
Supply	220-240 V, 50 Hz	220-240 V, 50 Hz	220-240 V, 50 Hz	220-240 V, 50 Hz	220-240 V, 50 Hz	220-240 V, 50 Hz
Service	20 A	20 A	20 A	20 A	10 A	10 A
Connection	Hard wired Minimum 1500mm*	Hard wired Minimum 1500mm*	Hard wired Minimum 1500mm*	Hard wired Minimum 1500mm*	Plug with flex cord 1700mm	Plug with flex cord 1800mm
WEIGHT						
Packaged	95kg	97kg	55kg	50kg	33kg	30kg Integrated 27kg
Unpackaged	80kg	82kg	46kg	41kg	24kg	25kg Integrated 23kg
CAPACITY						
Total Oven capacity	137L	137L	55L	49L	-	-
Total water tank capacity	-	0.67L	1.4L	-	2.4L	-

*The electrician provides sufficient free length of power supply cable to reach from the bottom rear of the cavity to at least 1.5m in front of the bottom edge of the opening.
 Note: All Coffee Makers and Steam Ovens have internal water tanks which need to be filled manually. No external water supply is required.

The models shown in this Planning Guide may not be available in all markets and are subject to change at any time. Product specifications may vary from those shown. This Planning Guide should not be used as installation guidance for any product. Further information is required to safely and correctly install the products featured here. Specific installation guidance will be available with the product on delivery and on our website fisherpaykel.com

DATA SHEETS



Model no:

OB76SCPUDX3 76cm Series 9 Contemporary Pyrolytic Oven

Product Dimensions

	mm
(A) Overall height of product	729
(B) Overall width of product	758
(C) Height of chassis	708
(D) Width of chassis	720
(E) Depth of chassis	575
(F) Thickness of control panel (excludes handle and dial)	20
(G) Height of control panel	100
(H) Gap between door and control panel	7
(I) Height from bottom datum to top of door	622
(J) Height from bottom datum to centerline of handle	599
(K) Visual gap height	12
(L) Thickness of handle	15
(M) Width of handle	685
(N) Depth of handle	44
(O) Depth with door fully open*	594

*Measured from front of control panel.

Minimum Clearances

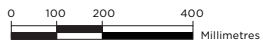
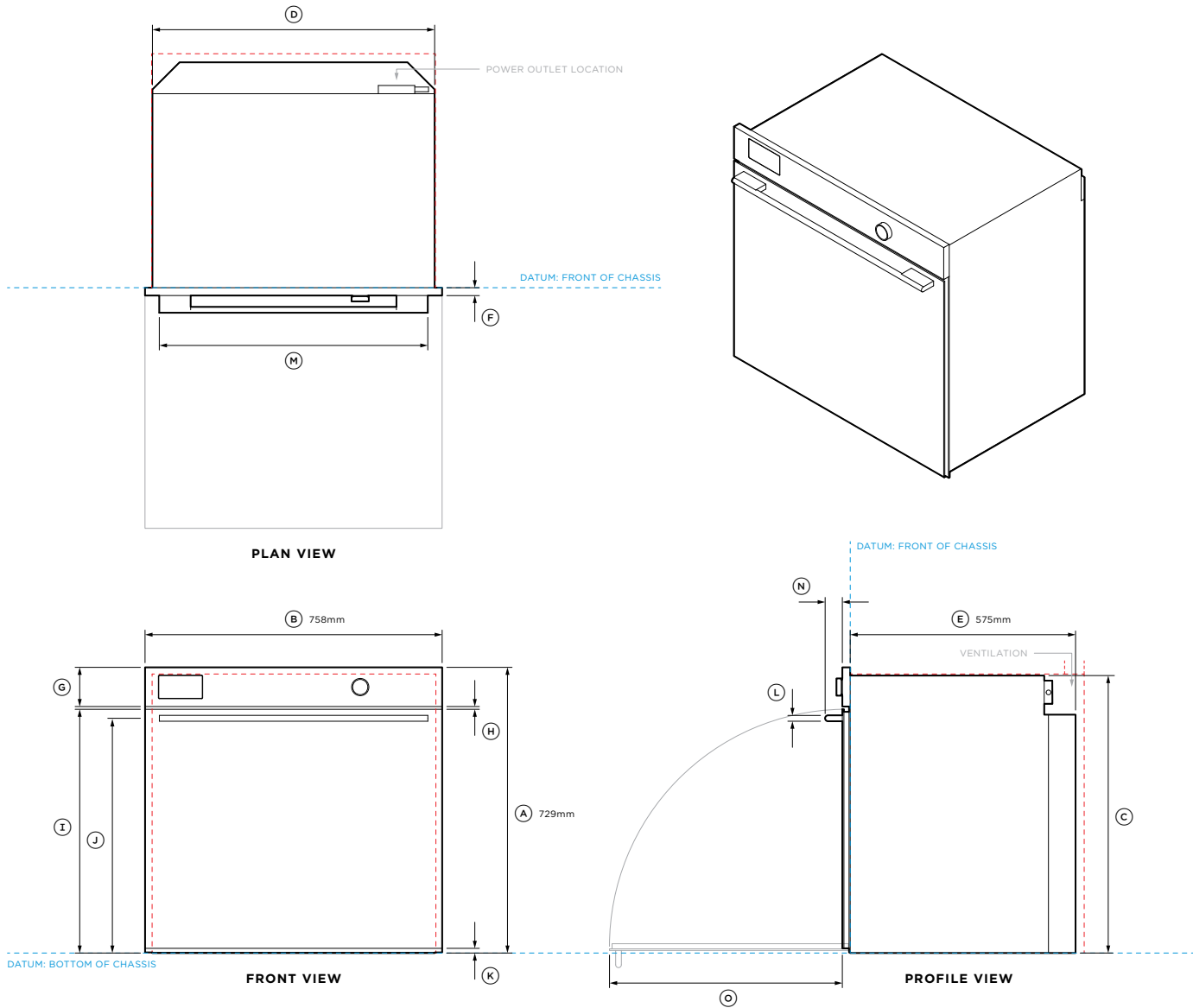
	mm
Minimum inside height of cavity	712
Minimum inside width of cavity	724
Minimum inside depth of cavity*	597
Rear ventilation height**	55
Rear ventilation width**	600
Minimum clearance above products control panel to upper cabinetry front panel or appliance	2
Minimum clearance between adjacent front panel or appliance	2
Recommended cabinet height	731
Recommended cabinet width	762

*Measured from front of chassis.

**A minimum ventilation area of 330cm², equivalent to 55mm x 600mm, is required. For more information, refer to the 'Ventilation' section of this Planning Guide.

----- INDICATES PRODUCT DATUM
 - - - - - INDICATES CABINETRY CLEARANCES

IMPORTANT NOTE: Throughout this guide, dimensions may vary by ±2mm (1/16"). Please read the installation manual for detailed information on installing the product. For full installation instructions & specifications visit fisherpaykel.com



Model no:

OB76SCPSUDX3 76cm Series 11 Contemporary Pyrolytic Steam Assist Oven

Product Dimensions

	mm
(A) Overall height of product	729
(B) Overall width of product	758
(C) Height of chassis	708
(D) Width of chassis	720
(E) Depth of chassis	575
(F) Thickness of control panel (excludes handle and dial)	20
(G) Height of control panel	100
(H) Gap between door and control panel	7
(I) Height from bottom datum to top of door	622
(J) Height from bottom datum to centerline of handle	599
(K) Visual gap height	12
(L) Thickness of handle	15
(M) Width of handle	685
(N) Depth of handle	44
(O) Depth with door fully open*	594

*Measured from front of control panel.

Minimum Clearances

	mm
Minimum inside height of cavity	712
Minimum inside width of cavity	724
Minimum inside depth of cavity*	597
Rear ventilation height**	55
Rear ventilation width**	600
Minimum clearance above products control panel to upper cabinetry front panel or appliance	2
Minimum clearance between adjacent front panel or appliance	2
Recommended cabinet height	731
Recommended cabinet width	762

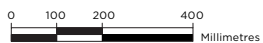
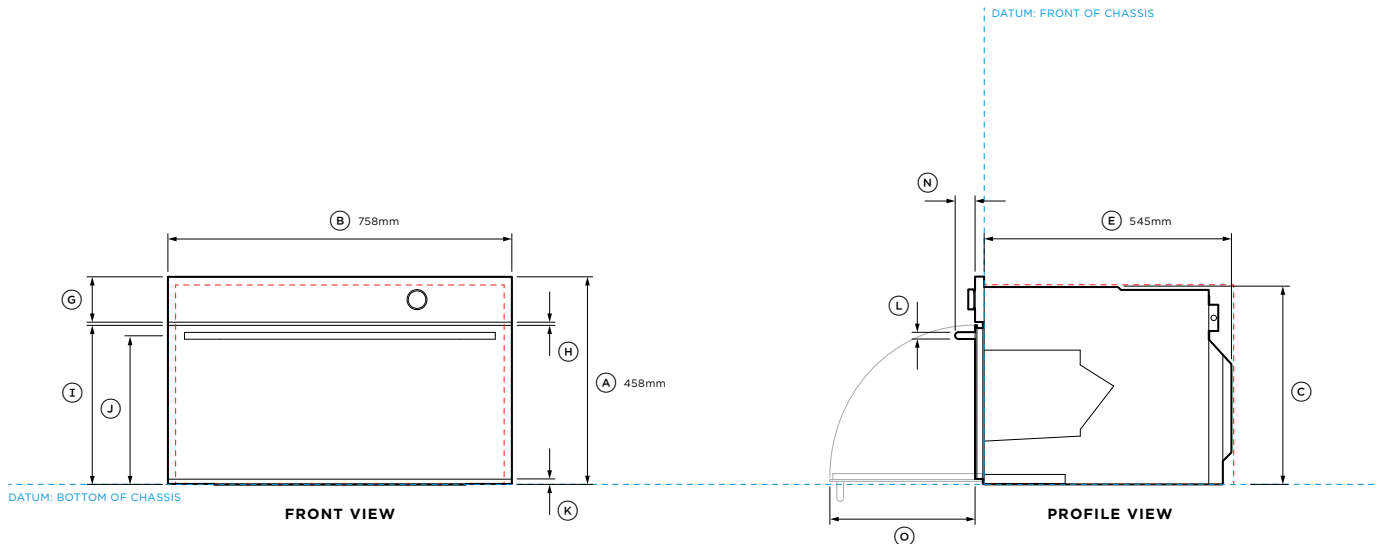
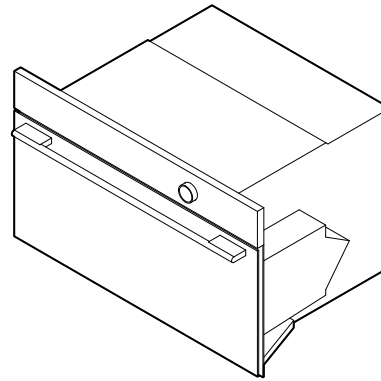
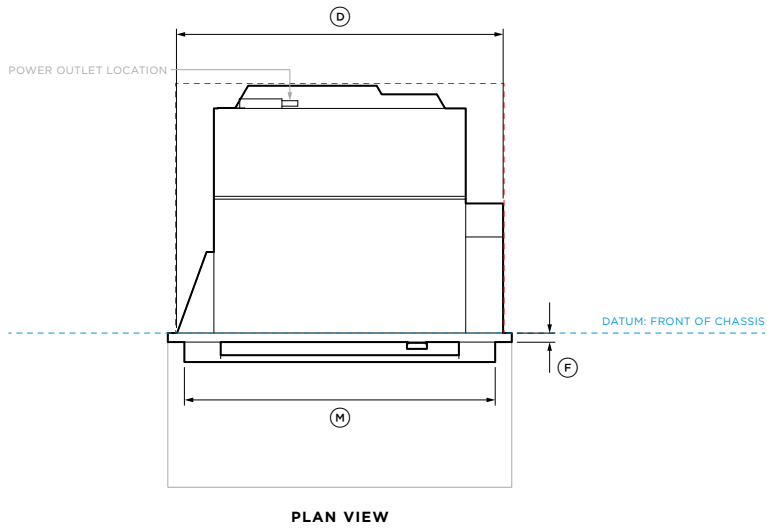
*Measured from front of chassis.

**A minimum ventilation area of 330cm², equivalent to 55mm x 600mm, is required. For more information, refer to the 'Ventilation' section of this Planning Guide.

----- INDICATES PRODUCT DATUM

----- INDICATES CABINETRY CLEARANCES

IMPORTANT NOTE: Throughout this guide, dimensions may vary by ±2mm (1/16"). Please read the installation manual for detailed information on installing the product. For full installation instructions & specifications visit fisherpaykel.com



Model no:

OS76NCUDX3 76cm Series 9 Contemporary Compact Combi-Steam Oven

Product Dimensions

	mm
(A) Overall height of product	458
(B) Overall width of product	758
(C) Height of chassis	435
(D) Width of chassis	720
(E) Depth of chassis	545
(F) Thickness of control panel (excludes handle and dial)	20
(G) Height of control panel	100
(H) Gap between door and control panel	7
(I) Height from bottom datum to top of door	351
(J) Height from bottom datum to centerline of handle	328
(K) Visual gap height	12
(L) Thickness of handle	15
(M) Width of handle	685
(N) Depth of handle	44
(O) Depth with door fully open*	320

*Measured from front of control panel.

Minimum Clearances

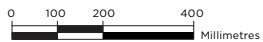
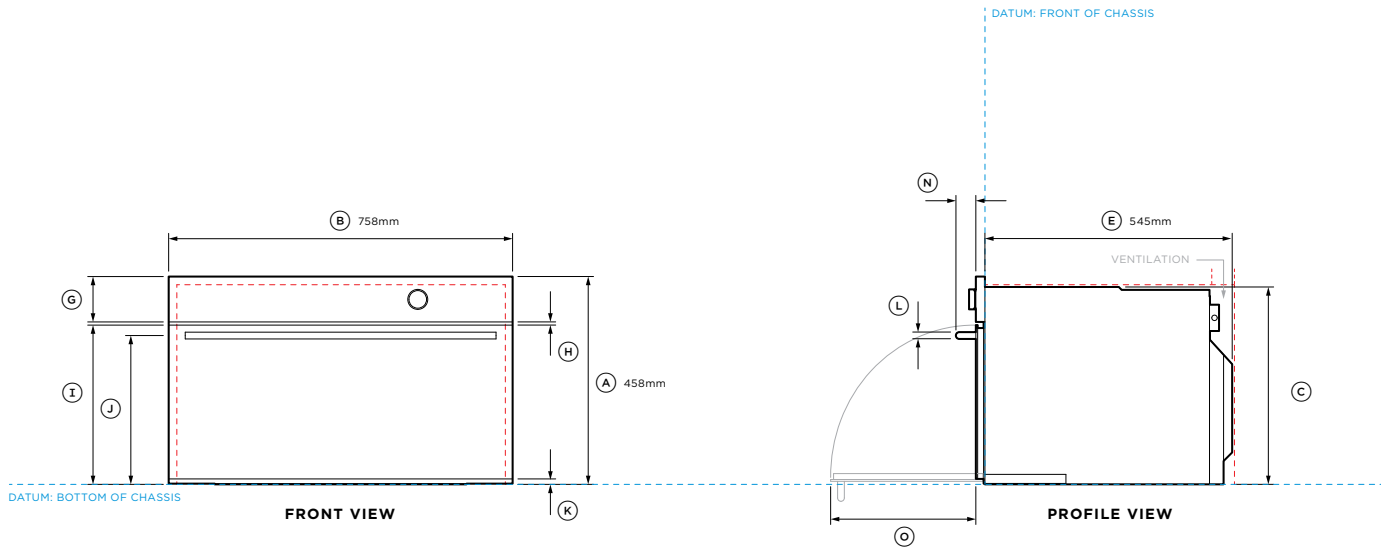
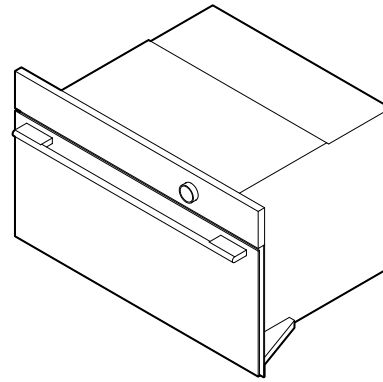
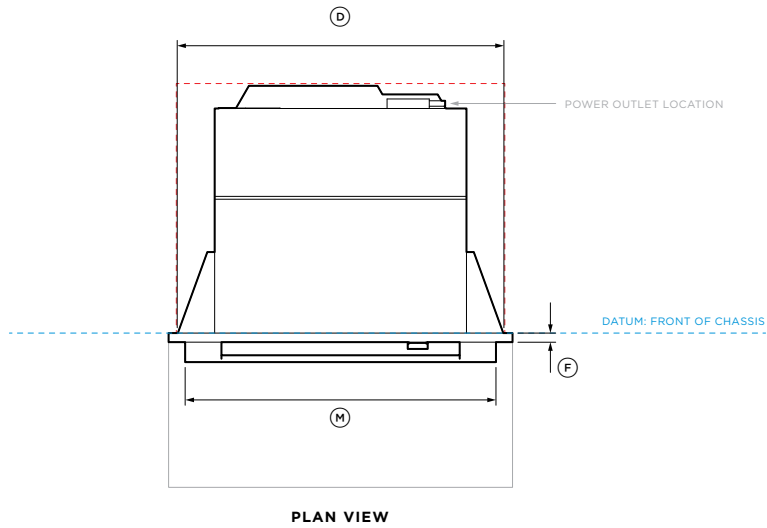
	mm
Minimum inside height of cavity	440
Minimum inside width of cavity	724
Minimum inside depth of cavity*	550
Minimum clearance above products control panel to upper cabinetry front panel or appliance	2
Minimum clearance between adjacent front panel or appliance	2
Recommended cabinet height	460
Recommended cabinet width	762

*Measured from front of chassis.

----- INDICATES PRODUCT DATUM

----- INDICATES CABINETRY CLEARANCES

IMPORTANT NOTE: Throughout this guide, dimensions may vary by ±2mm (1/16"). Please read the installation manual for detailed information on installing the product. For full installation instructions & specifications visit fisherpaykel.com



Model no:

OM76NCUDX3 76cm Series 9 Contemporary Compact Combi-Microwave Oven

Product Dimensions

	mm
(A) Overall height of product	458
(B) Overall width of product	758
(C) Height of chassis	435
(D) Width of chassis	720
(E) Depth of chassis	545
(F) Thickness of control panel (excludes handle and dial)	20
(G) Height of control panel	100
(H) Gap between door and control panel	7
(I) Height from bottom datum to top of door	351
(J) Height from bottom datum to centerline of handle	328
(K) Visual gap height	12
(L) Thickness of handle	15
(M) Width of handle	685
(N) Depth of handle	44
(O) Depth with door fully open*	320

*Measured from front of control panel.

Minimum Clearances

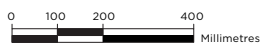
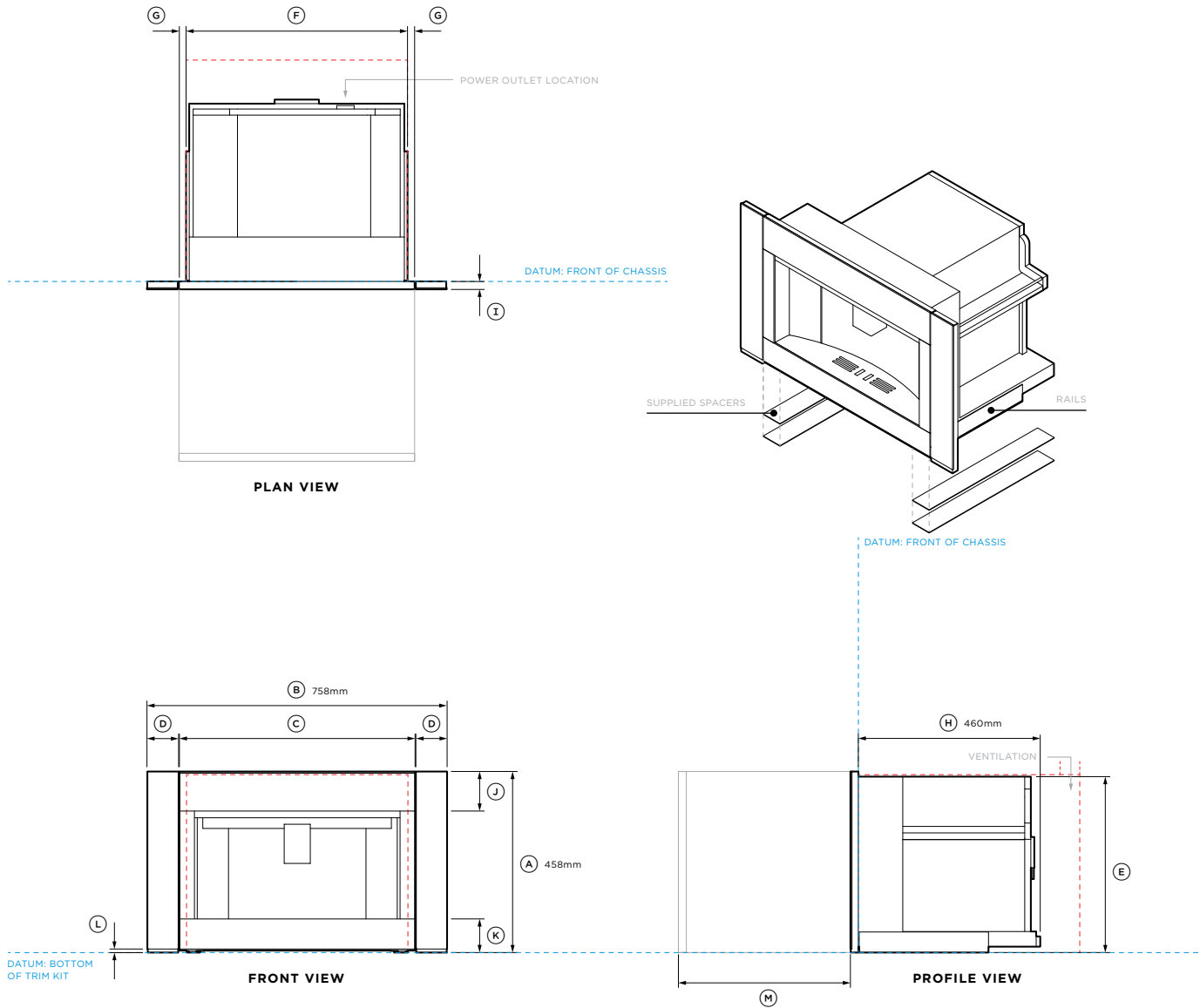
	mm
Minimum inside height of cavity	440
Minimum inside width of cavity	724
Minimum inside depth of cavity*	550
Rear ventilation height**	50
Rear ventilation width**	560
Minimum clearance above products control panel to upper cabinetry front panel or appliance	2
Minimum clearance between adjacent front panel or appliance	2
Recommended cabinet height	460
Recommended cabinet width	762

*Measured from front of chassis.

**A minimum ventilation area of 280cm², equivalent to 50mm x 560mm, is required. For more information, refer to the 'Ventilation' section of this Planning Guide.

----- INDICATES PRODUCT DATUM
 - - - - - INDICATES CABINETRY CLEARANCES

IMPORTANT NOTE: Throughout this guide, dimensions may vary by ±2mm (1/16"). Please read the installation manual for detailed information on installing the product. For full installation instructions & specifications visit fisherpaykel.com



Model no:

EB60CSX3 60cm Series 9 Contemporary Built-in Coffee Maker
 TK7630NCX3 76cm Series 9 Contemporary Trim Kit

Product Dimensions

	mm
(A) Overall height of product	458
(B) Overall width of product	758
(C) Width of built-in coffee maker	596
(D) Width of trim kit	79
(E) Height of chassis	445
(F) Width of chassis	560
(G) Distance from side of chassis to front panel	18
(H) Depth of chassis	460
(I) Thickness of control panel	20
(J) Height of control panel	100
(K) Height of horizontal lower section from bottom datum	85
(L) Visual gap height	9
(M) Depth of built-in coffee maker fully pulled out*	435

*Measured from front of control panel.

Minimum Clearances

	mm
Minimum inside height of cavity	450
Minimum inside width of cavity*	560
Minimum inside depth of cavity**	545
Rear ventilation height***	50
Rear ventilation width***	560
Minimum clearance above products control panel to upper cabinetry front panel or appliance	2
Minimum clearance between adjacent front panel or appliance	2
Recommended cabinet height	460
Recommended cabinet width	762

*Cabinetry requires additional vertical sidewalls to secure the product.

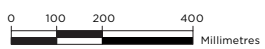
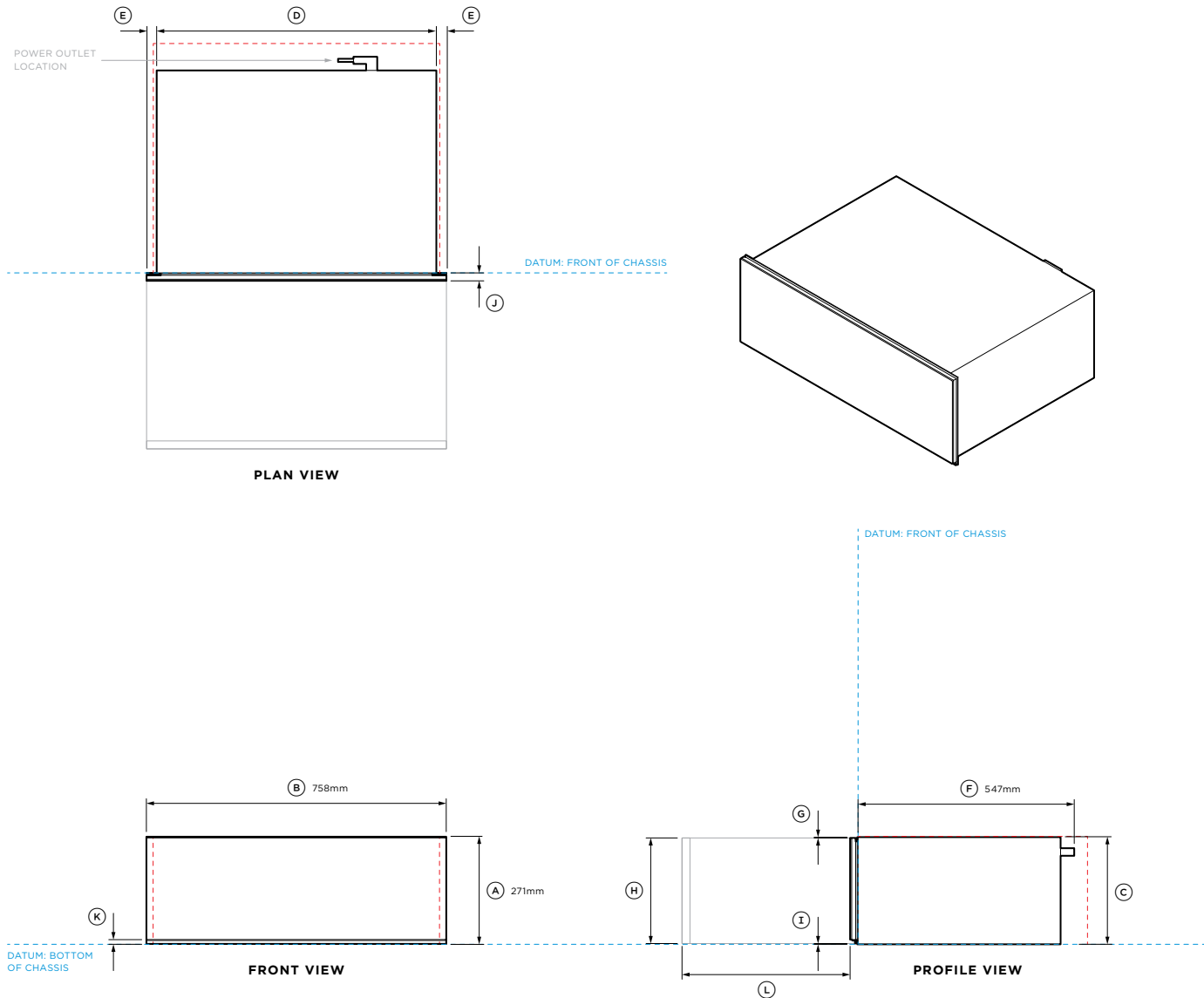
**Measured from front of chassis.

***A minimum ventilation area of 280cm², equivalent to 50mm x 560mm, is required. For more information, refer to the 'Ventilation' section of this Planning Guide.

----- INDICATES PRODUCT DATUM

----- INDICATES CABINETRY CLEARANCES

IMPORTANT NOTE: Throughout this guide, dimensions may vary by ±2mm (1/16"). Please read the installation manual for detailed information on installing the product. For full installation instructions & specifications visit fisherpaykel.com



Model no:
WB76SCX3 76cm Series 9 Contemporary Warming Drawer

Product Dimensions	mm
(A) Overall height of product	271
(B) Overall width of product	758
(C) Height of chassis	271
(D) Width of chassis	704
(E) Distance from side of chassis to front panel	25.5
(F) Depth of chassis (including power plug)	547
(G) Height from top of front panel to top of chassis	2
(H) Height of front panel	267
(I) Height from bottom datum to bottom of front panel	2
(J) Thickness of front panel	20
(K) Visual gap height	12
(L) Depth of drawer open*	425

*Measured from front of front panel.

Minimum Clearances	mm
Minimum inside height of cavity	273
Minimum inside width of cavity	724
Minimum inside depth of cavity*	580
Minimum clearance above products front panel to upper cabinetry front panel or appliance**	4
Minimum clearance between adjacent front panel or appliance	2
Recommended cabinet height	273
Recommended cabinet width	762

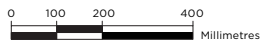
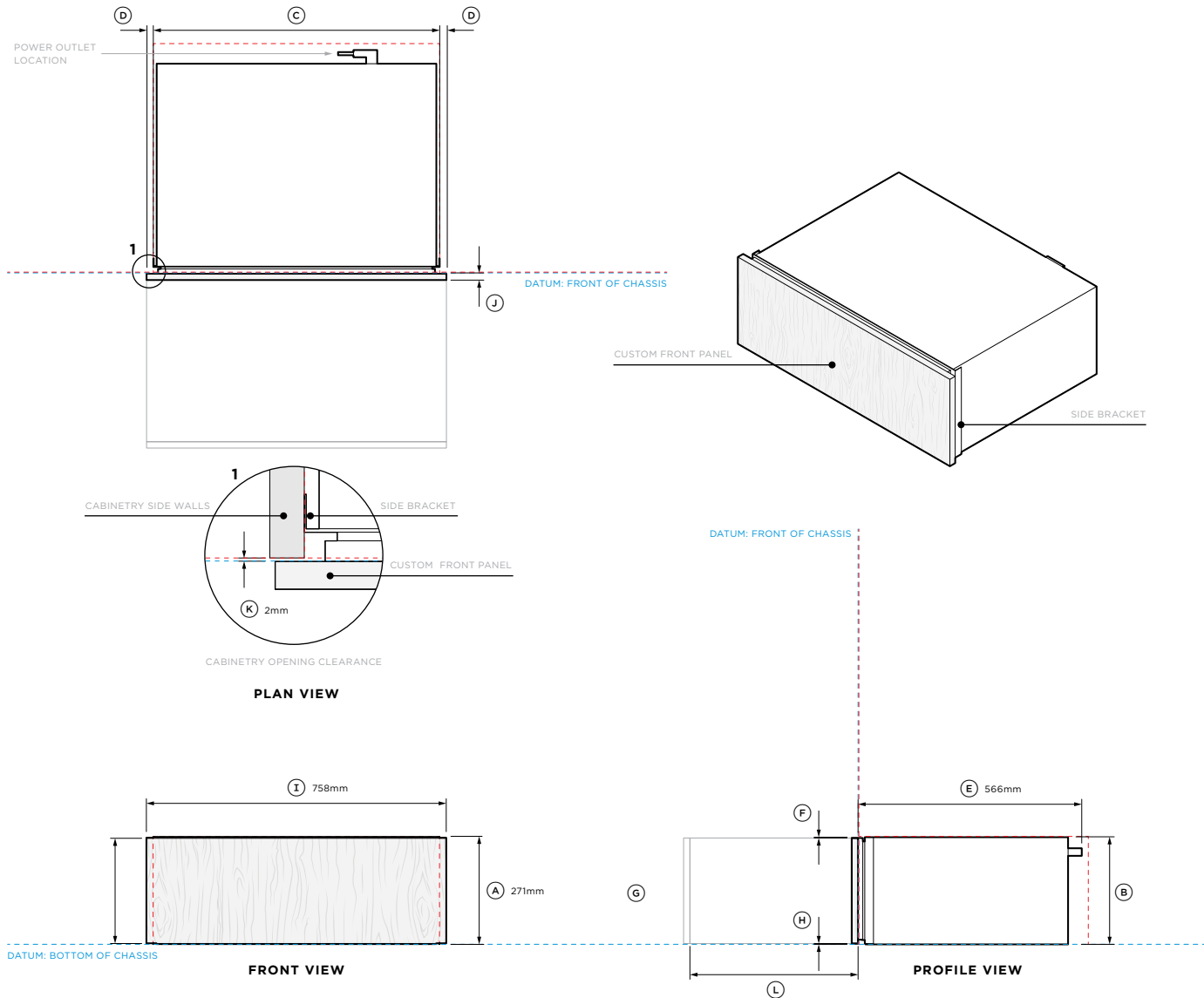
*Measured from front of chassis.

**Achieve a smaller gap between product front panel to upper cabinetry front panel by dropping cabinetry front panel down.

Note: Drawers can fully support 76cm Fisher & Paykel ovens, without adding shelf in between.

----- INDICATES PRODUCT DATUM
 - - - - - INDICATES CABINETRY CLEARANCES

IMPORTANT NOTE: Throughout this guide, dimensions may vary by ±2mm (1/16"). Please read the installation manual for detailed information on installing the product. For full installation instructions & specifications visit fisherpaykel.com



Model no:

WB76SDEI3 76cm Series 9 Integrated Warming Drawer

Product Dimensions

	mm
(A) Overall height of product	271
(B) Height of chassis	271
(C) Width of chassis (including side bracket)	723
(D) Distance from side bracket to custom front panel	17
(E) Depth of chassis (including power plug)	566
(F) Height from top of custom front panel to top of chassis	2
(G) Height of custom front panel	min 267
(H) Height from bottom datum to bottom of custom front panel	2
(I) Width of custom front panel	min 758
(J) Thickness of custom front panel	min 16
(K) Clearance behind custom front panel for push-to-open mechanism*	2
(L) Depth of drawer open**	425

*A clearance of 2mm between the cabinet and the custom front panel is required for the push-to-open mechanism (spacer included).
 **Measured from front of chassis.
 Note: Maximum custom front panel weight 5kg.

Minimum Clearances

	mm
Minimum inside height of cavity	273
Minimum inside width of cavity	724
Minimum inside depth of cavity*	580
Minimum clearance above product custom front panel to upper cabinetry front panel or appliance	2
Minimum clearance between adjacent front panel or appliance	2
Recommended cabinet height	273
Recommended cabinet width	762

*Measured from front of chassis.

Note: Drawers can fully support 76cm Fisher & Paykel ovens, without adding shelf in between.

----- INDICATES PRODUCT DATUM
 - - - - - INDICATES CABINETY CLEARANCES

IMPORTANT NOTE: Throughout this guide, dimensions may vary by ±2mm (1/16"). Please read the installation manual for detailed information on installing the product. For full installation instructions & specifications visit fisherpaykel.com

PLANNING CONSIDERATIONS

DIVIDING SHELF

If the appliance front panel is thicker than the cabinetry front panel, adjust the dividing shelf depth to ensure the oven sits flush with the front of the cabinetry.

BLACK CLASHING

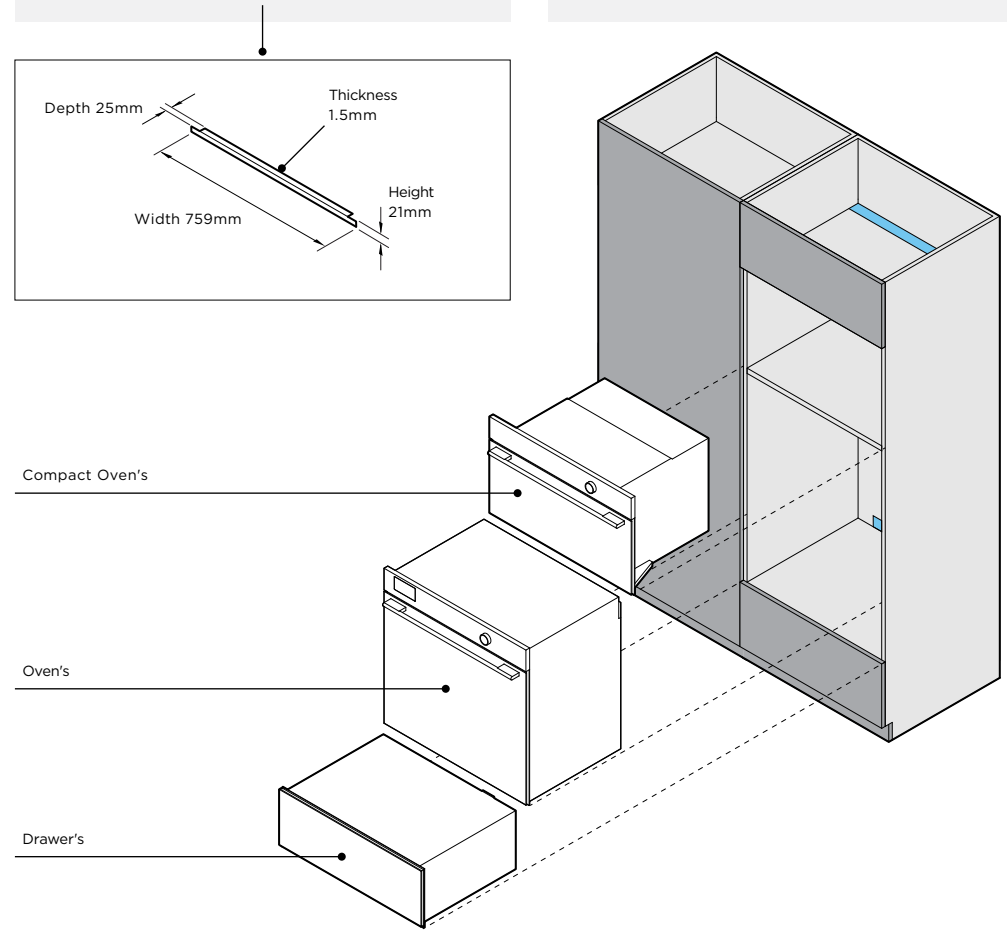
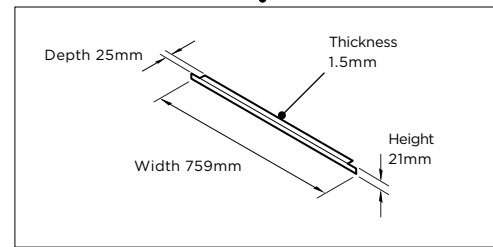
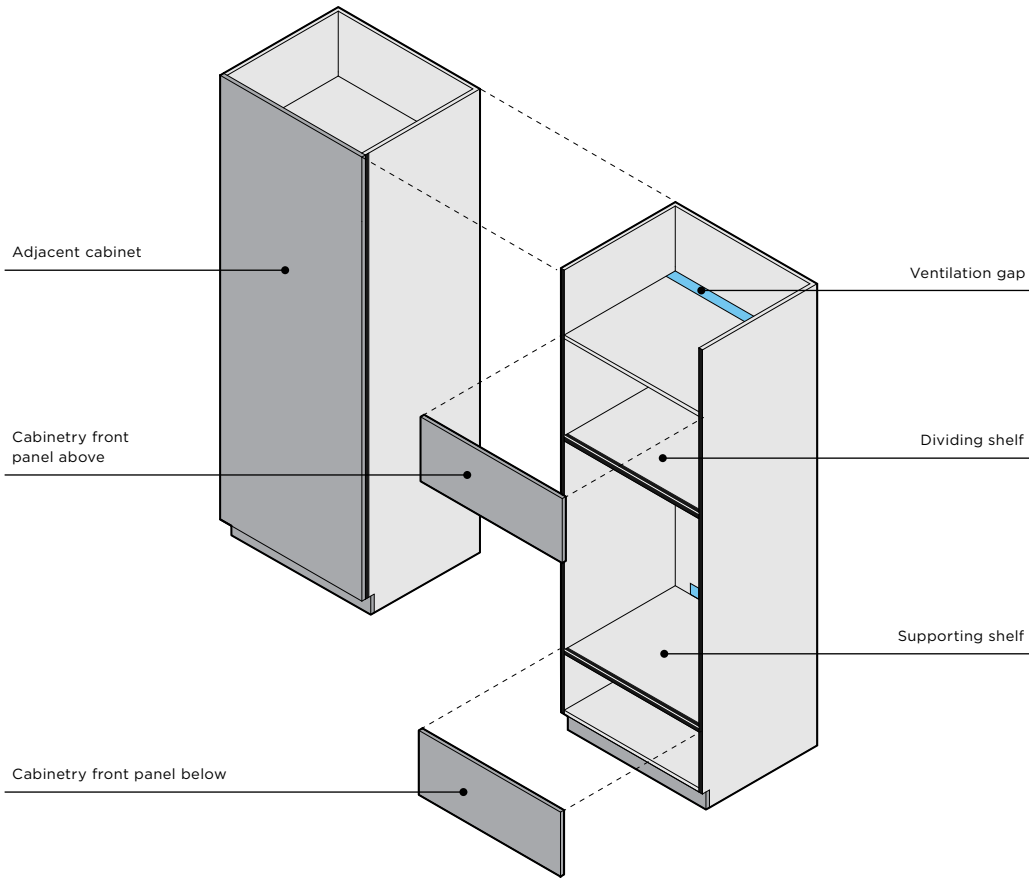
Black clashing is recommended on front facing edges and openings where products are located and on side cabinets if cabinet is rebated.

OVEN CABINETRY TRIM

If using light-colored cabinets, we recommend using black cabinetry trim to help hide the cabinetry beneath the front door panel of the appliance. Ensure the trim height does not interfere with any appliances or cabinetry below. Black cabinetry trim is included with ovens.

LEVEL CABINETRY

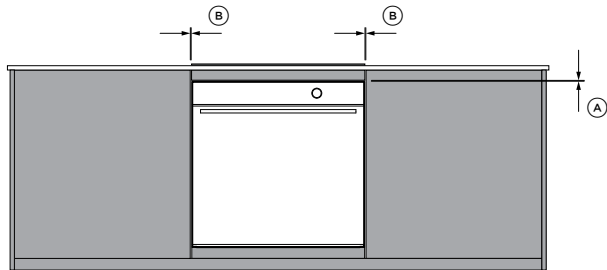
Check the shelves are level and the side panels are straight.



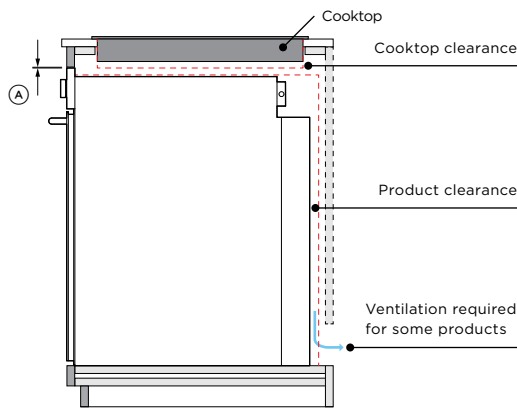
The models shown in this Planning Guide may not be available in all markets and are subject to change at any time. Product specifications may vary from those shown. This Planning Guide should not be used as installation guidance for any product. Further information is required to safely and correctly install the products featured here. Specific installation guidance will be available with the product on delivery and on our website fisherpaykel.com

UNDERBENCH

If installing a cooktop above the oven, ensure adequate clearance is provided for the cooktop as per the cooktop manufacturer's instructions.



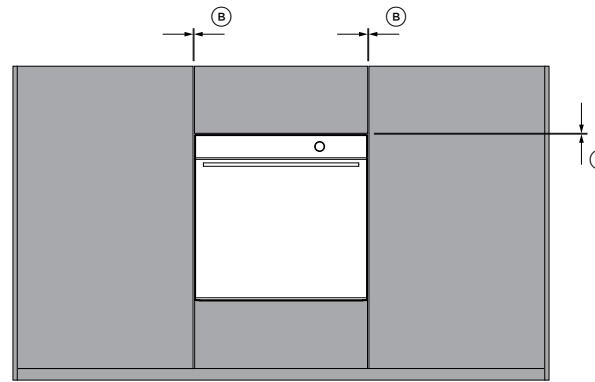
FRONT VIEW



PROFILE VIEW

SINGLE INSTALLATION

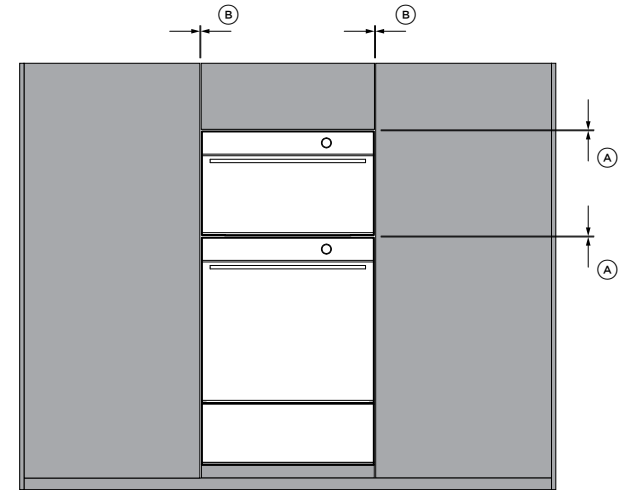
Head to the individual product 'Cabinetry' section in this Planning Guide for details.



FRONT VIEW

STACKED OR GRID

Head to the 'Stack Height' section in this Planning Guide for details.

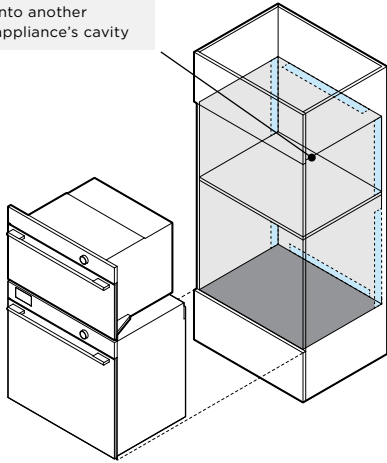


FRONT VIEW

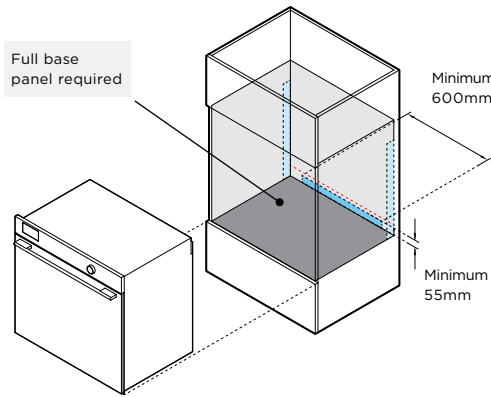
Clearances	mm
(A) Minimum clearance above product control panel/front panel to upper cabinetry front panel or appliance	2
(B) Minimum clearance between adjacent front panel or appliance	2

The models shown in this Planning Guide may not be available in all markets and are subject to change at any time. Product specifications may vary from those shown. This Planning Guide should not be used as installation guidance for any product. Further information is required to safely and correctly install the products featured here. Specific installation guidance will be available with the product on delivery and on our website fisherpaykel.com

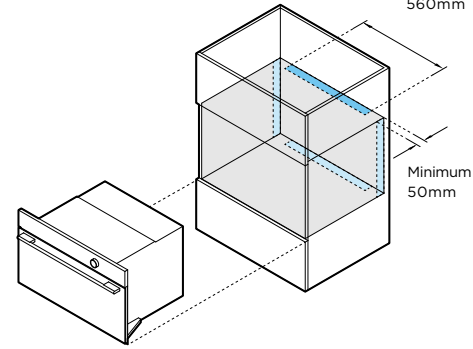
Do not vent directly into another appliance's cavity



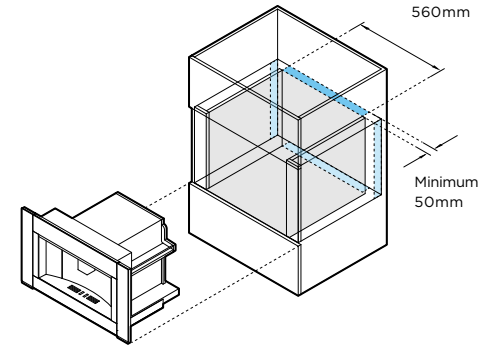
Full base panel required



Minimum 560mm



Minimum 560mm



Options for total minimum ventilation area

VENTILATION

Ventilation is required to ensure proper performance of certain products.

Possible Venting Locations:

- Space behind the cabinet
- Upper cavity (not a product cavity)
- Toe kick cavity
- Adjacent cabinetry (not a product cavity)

Cabinet with back panel or installed against a wall:

Select one of the venting locations listed above, providing the required minimum ventilation area.

Cabinet without back panel:

If the cabinet is manufactured without a back panel and is not positioned directly against a wall, the open back will provide sufficient ventilation.

Do not vent directly into another appliance's cavity.

PYROLYTIC OVEN AND PYROLYTIC STEAM ASSIST OVEN

OB76SCPUDX3, OB76SCPSUDX3

VENTILATION PLACEMENT

Total minimum ventilation area	330cm ² or 55mm x 600mm
Cavity venting options*	sides or back

*If positioned at the back, it should be located no more than 80mm above the bottom of the chassis datum.

Note: Full base panel required for product to operate correctly. Venting can not be through the base panel.

COMPACT COMBI-MICROWAVE

OM76NCUDX3

VENTILATION PLACEMENT

Total minimum ventilation area	280cm ² or 50mm x 560mm
Cavity venting options	base, sides or top

BUILT-IN COFFEE MAKER

EB60CSX3

VENTILATION PLACEMENT

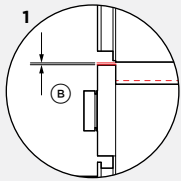
Total minimum ventilation area	280cm ² or 50mm x 560mm
Cavity venting options	base, sides or top

The models shown in this Planning Guide may not be available in all markets and are subject to change at any time. Product specifications may vary from those shown. This Planning Guide should not be used as installation guidance for any product. Further information is required to safely and correctly install the products featured here. Specific installation guidance will be available with the product on delivery and on our website fisherpaykel.com

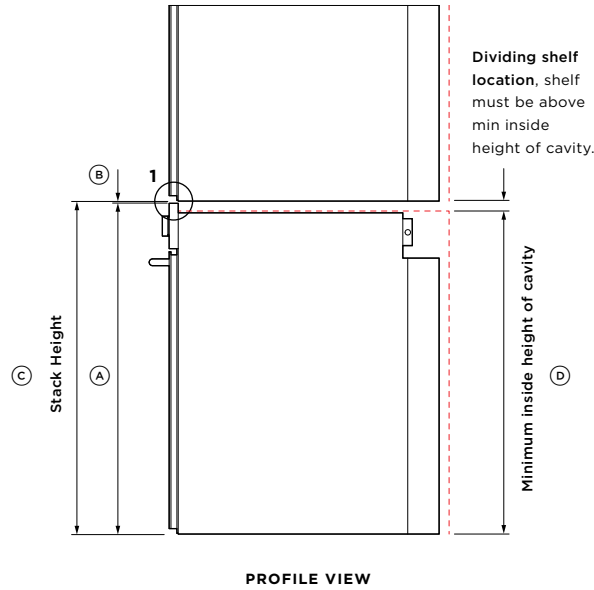
STACK HEIGHT

Stack height is overall product height with minimum clearance above appliance control panel or front panel.

$$\begin{array}{r}
 \text{A} \quad \text{Overall product height} \\
 + \\
 \text{B} \quad \text{Minimum clearance above appliance control panel or front panel to upper appliance} \\
 = \\
 \text{C} \quad \text{Stacked Height}
 \end{array}$$



PROFILE VIEW

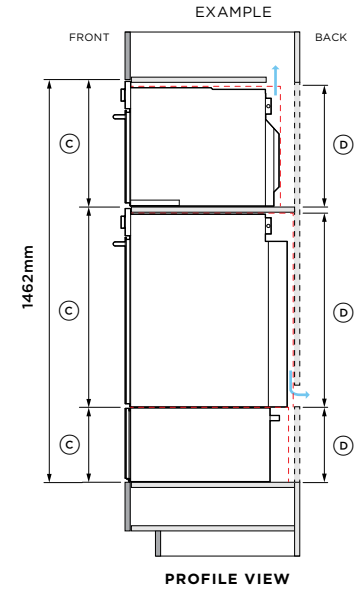


Ventilation air vent is required at rear of cabinetry for some products.

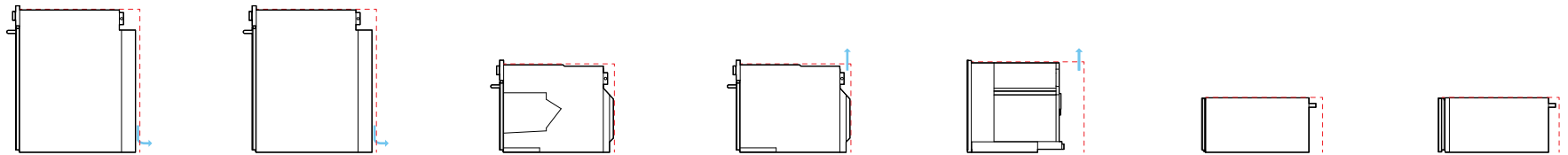
Dividing shelves are required to support stacked appliances and to achieve correct clearance.

Dividing shelves must be constructed from material that will support the weight of the appliances. Ensure the oven is not bearing any weight from cabinetry or products installed above.

Drawers can fully support a 76cm Fisher & Paykel oven, without adding a shelf in between.



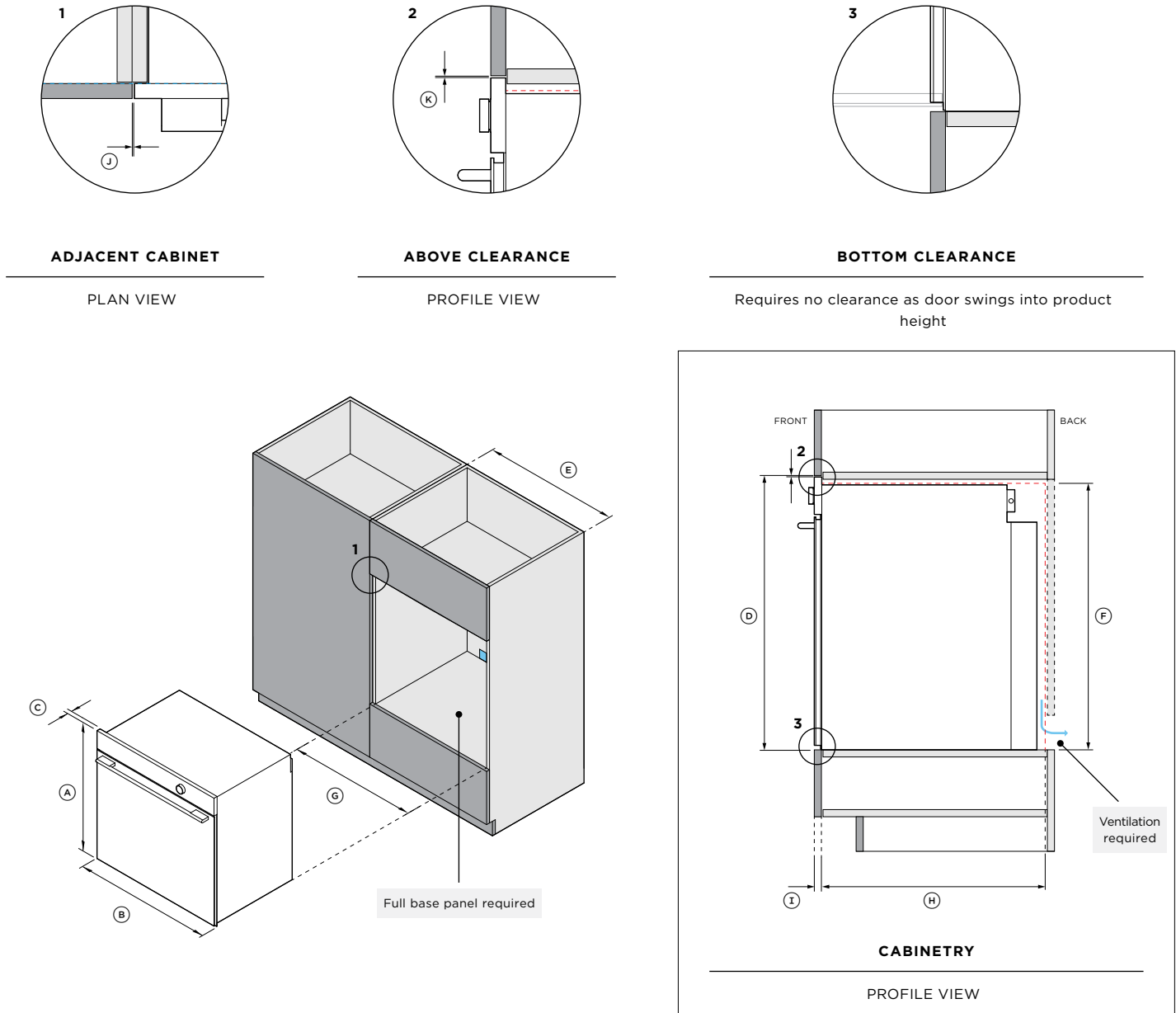
MINIMUM INSIDE HEIGHT OF CAVITY



	PYROLYTIC OVEN OB76SCPUDX3	PYROLYTIC STEAM ASSIST OVEN OB76SCPSUDX3	COMPACT COMBI-STEAM OVEN OS76NCUDX3	COMPACT COMBI-MICROWAVE OVEN OM76NCUDX3	BUILT-IN COFFEE MAKER WITH TRIM KIT EB60CSX3, TK7630NCX3	WARMING DRAWER WB76SCX3	INTEGRATED WARMING DRAWER WB76SDEI3
DIMENSIONS	mm	mm	mm	mm	mm	mm	mm
A Overall product height	729	729	458	458	458	271	271
B Minimum clearance above	2	2	2	2	2	-	-
C Stack height	731	731	460	460	460	271*	271*
D Minimum inside height of cavity	712	712	440	440	450	-	-

*Drawers can fully support 76cm Fisher & Paykel wall oven, without adding shelf in between. Note: Single installation of Drawers require minimum clearance above, head to individual product 'Cabinetry' section's of this Planning Guide for more details.

Model no:	
OB76SCPUDX3 76cm Series 9 Contemporary Pyrolytic Oven	
Product Dimensions	
mm	
(A) Overall height of product	729
(B) Overall width of product	758
(C) Thickness of control panel (excludes handle and dial)	20
Cabinetry Dimensions	
mm	
(D) Recommended cabinet height/stack height	731
(E) Recommended cabinet width	762
(F) Minimum inside height of cavity	712
(G) Minimum inside width of cavity	724
(H) Minimum inside depth of cavity*	597
(I) Thickness of cabinetry front panel	16-20
Rear ventilation height**	55
Rear ventilation width**	600
*Measured from front of chassis.	
**A minimum ventilation area of 330cm ² , equivalent to 55mm x 600mm, is required. For more information, refer to the 'Ventilation' section of this Planning Guide.	
Note: Cabinetry requires a full base panel.	
Cabinetry clearances	
mm	
(J) Minimum clearance between adjacent front panel or appliance	2
(K) Minimum clearance above product control panel to upper cabinetry front panel or appliance	2
Note: If installing a cooktop above the oven, ensure adequate clearance is provided for the cooktop as per the cooktop manufacturer's instructions.	



The models shown in this Planning Guide may not be available in all markets and are subject to change at any time. Product specifications may vary from those shown. This Planning Guide should not be used as installation guidance for any product. Further information is required to safely and correctly install the products featured here. Specific installation guidance will be available with the product on delivery and on our website fisherpaykel.com

Model no:
OB76SCPSUDX3 76cm Series 11 Contemporary Pyrolytic Steam Assist Oven

Product Dimensions	mm
(A) Overall height of product	729
(B) Overall width of product	758
(C) Thickness of control panel (excludes handle and dial)	20

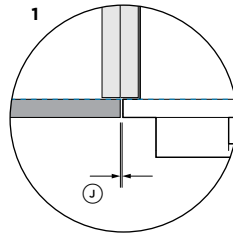
Cabinetry Dimensions	mm
(D) Recommended cabinet height/stack height	731
(E) Recommended cabinet width	762
(F) Minimum inside height of cavity	712
(G) Minimum inside width of cavity	724
(H) Minimum inside depth of cavity*	597
(I) Thickness of cabinetry front panel	16-20
Rear ventilation height**	55
Rear ventilation width**	600

*Measured from front of chassis.
**A minimum ventilation area of 330cm², equivalent to 55mm x 600mm, is required. For more information, refer to the 'Ventilation' section of this Planning Guide.

Note: Cabinetry requires a full base panel.

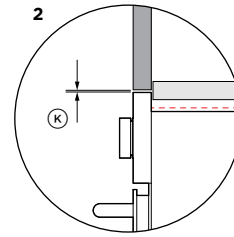
Cabinetry clearances	mm
(J) Minimum clearance between adjacent front panel or appliance	2
(K) Minimum clearance above product control panel to upper cabinetry front panel or appliance	2

Note: If installing a cooktop above the oven, ensure adequate clearance is provided for the cooktop as per the cooktop manufacturer's instructions.



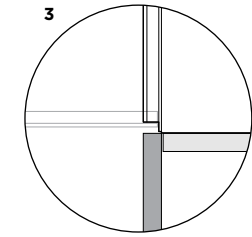
ADJACENT CABINET

PLAN VIEW



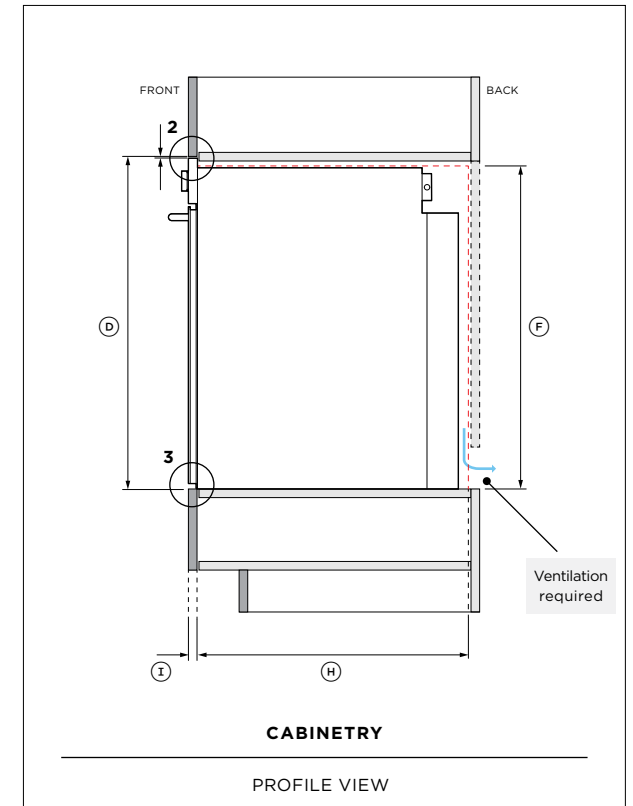
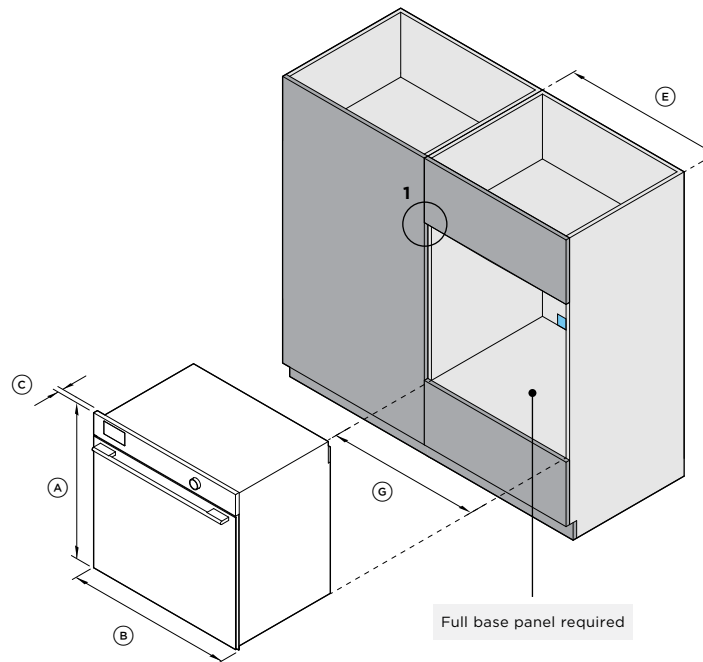
ABOVE CLEARANCE

PROFILE VIEW



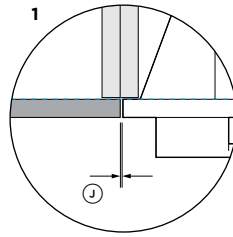
BOTTOM CLEARANCE

Requires no clearance as door swings into product height



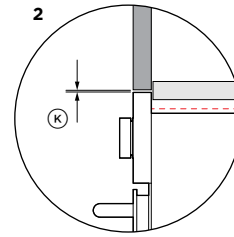
Model no:	
OS76NCUDX3	76cm Series 9 Contemporary Compact Combi-Steam Oven
Product Dimensions	
mm	
(A) Overall height of product	458
(B) Overall width of product	758
(C) Thickness of control panel (excludes handle and dial)	20
Cabinetry Dimensions	
mm	
(D) Recommended cabinet height/stack height	460
(E) Recommended cabinet width	762
(F) Minimum inside height of cavity	440
(G) Minimum inside width of cavity	724
(H) Minimum inside depth of cavity*	550
(I) Thickness of cabinetry front panel	16-20
*Measured from front of chassis.	
Cabinetry clearances	
mm	
(J) Minimum clearance between adjacent front panel or appliance	2
(K) Minimum clearance above product control panel to upper cabinetry front panel or appliance	2

Note: If installing a cooktop above the oven, ensure adequate clearance is provided for the cooktop as per the cooktop manufacturer's instructions.



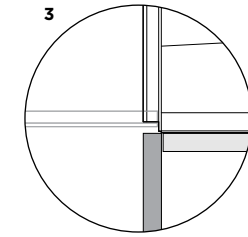
ADJACENT CABINET

PLAN VIEW



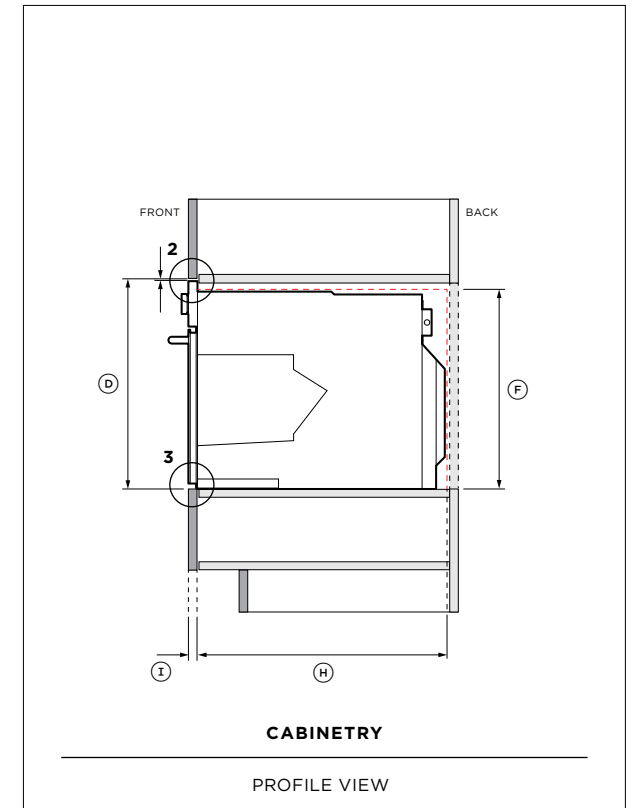
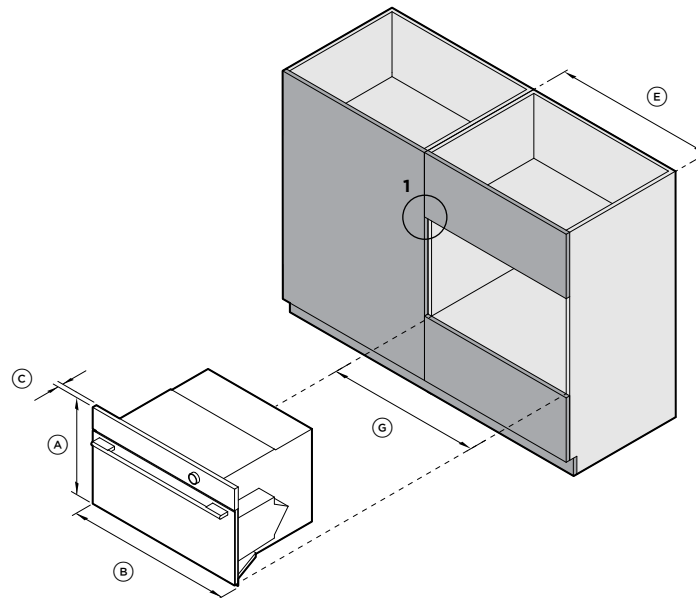
ABOVE CLEARANCE

PROFILE VIEW



BOTTOM CLEARANCE

Requires no clearance as door swings into product height



The models shown in this Planning Guide may not be available in all markets and are subject to change at any time. Product specifications may vary from those shown. This Planning Guide should not be used as installation guidance for any product. Further information is required to safely and correctly install the products featured here. Specific installation guidance will be available with the product on delivery and on our website fisherpaykel.com

Model no:
OM76NCUDX3 76cm Series 9 Contemporary Compact Combi-Microwave Oven

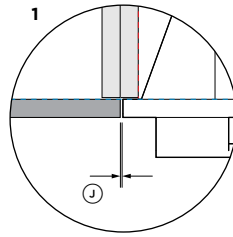
Product Dimensions	mm
(A) Overall height of product	458
(B) Overall width of product	758
(C) Thickness of control panel (excludes handle and dial)	20

Cabinetry Dimensions	mm
(D) Recommended cabinet height/stack height	460
(E) Recommended cabinet width	762
(F) Minimum inside height of cavity	440
(G) Minimum inside width of cavity	724
(H) Minimum inside depth of cavity*	550
(I) Thickness of cabinetry front panel	16-20
Rear ventilation height**	50
Rear ventilation width**	560

*Measured from front of chassis.
**A minimum ventilation area of 280cm², equivalent to 50mm x 560mm, is required. For more information, refer to the 'Ventilation' section of this Planning Guide.

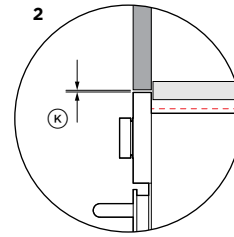
Cabinetry clearances	mm
(J) Minimum clearance between adjacent front panel or appliance	2
(K) Minimum clearance above product control panel to upper cabinetry front panel or appliance	2

Note: If installing a cooktop above the oven, ensure adequate clearance is provided for the cooktop as per the cooktop manufacturer's instructions.



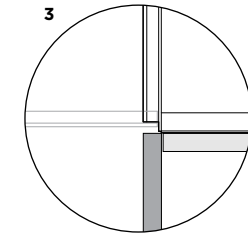
ADJACENT CABINET

PLAN VIEW



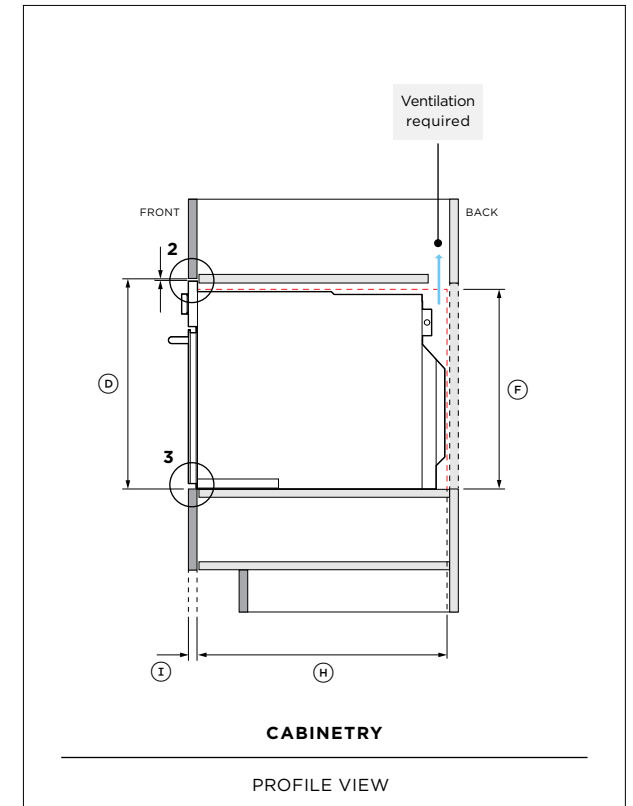
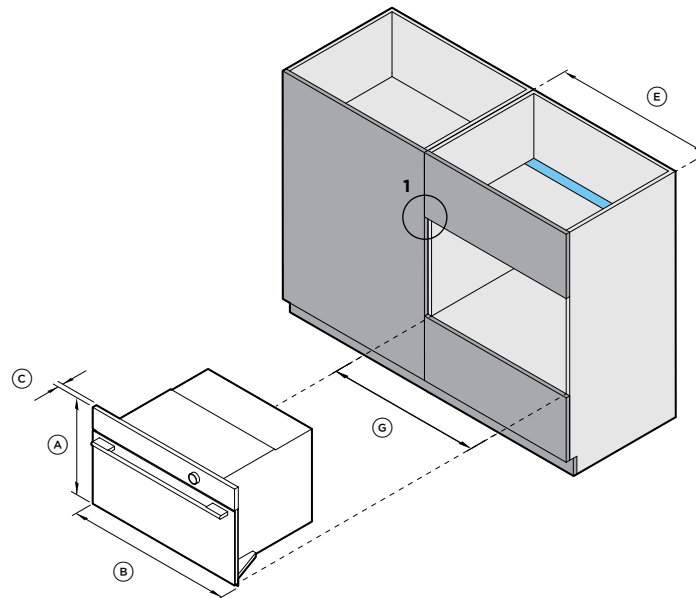
ABOVE CLEARANCE

PROFILE VIEW



BOTTOM CLEARANCE

Requires no clearance as door swings into product height



The models shown in this Planning Guide may not be available in all markets and are subject to change at any time. Product specifications may vary from those shown. This Planning Guide should not be used as installation guidance for any product. Further information is required to safely and correctly install the products featured here. Specific installation guidance will be available with the product on delivery and on our website fisherpaykel.com

Model no:

EB60CSX3 60cm Series 9 Contemporary Built-in Coffee Maker
 TK7630NCX3 76cm Series 9 Contemporary Trim Kit

Product Dimensions		mm
(A)	Overall height of product	458
(B)	Overall width of product	758
(C)	Thickness of control panel	20

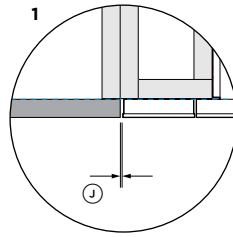
Cabinetry Dimensions		mm
(D)	Recommended cabinet height/stack height	460
(E)	Recommended cabinet width	762
(F)	Minimum inside height of cavity	450
(G)	Minimum inside width of cavity	560
(H)	Minimum inside depth of cavity*	545
(I)	Thickness of cabinetry front panel	16-20
	Rear ventilation height**	50
	Rear ventilation width**	560

*Measured from front of chassis.

**A minimum ventilation area of 280cm², equivalent to 50mm x 560mm, is required. For more information, refer to the 'Ventilation' section of this Planning Guide.

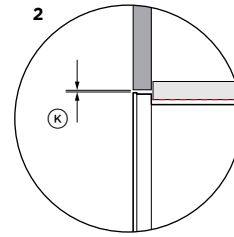
Cabinetry clearances		mm
(J)	Minimum clearance between adjacent front panel or appliance	2
(K)	Minimum clearance above product control panel to upper cabinetry front panel or appliance	2

Note: If installing a cooktop above the oven, ensure adequate clearance is provided for the cooktop as per the cooktop manufacturer's instructions.



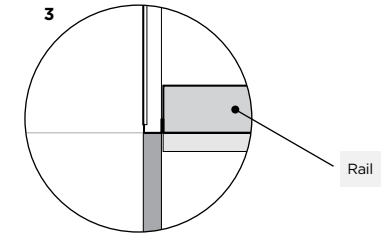
ADJACENT CABINET

PLAN VIEW



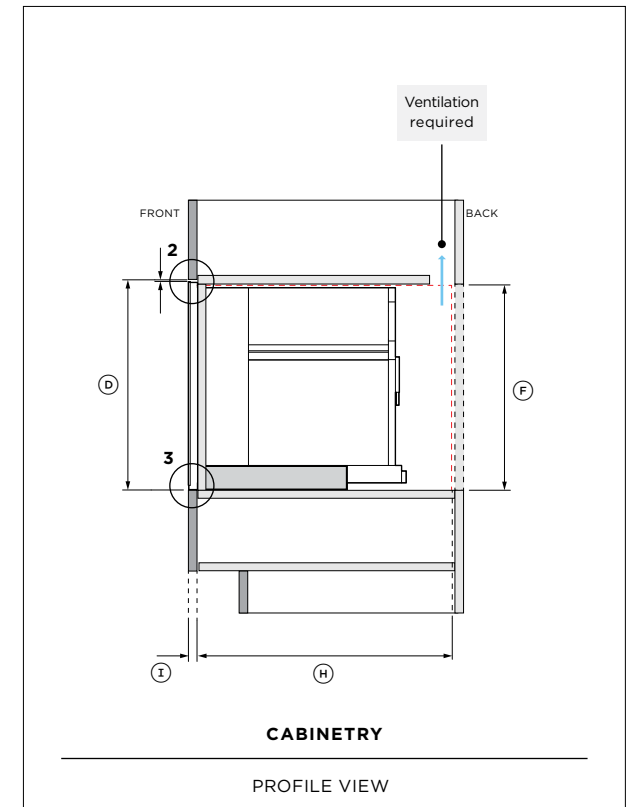
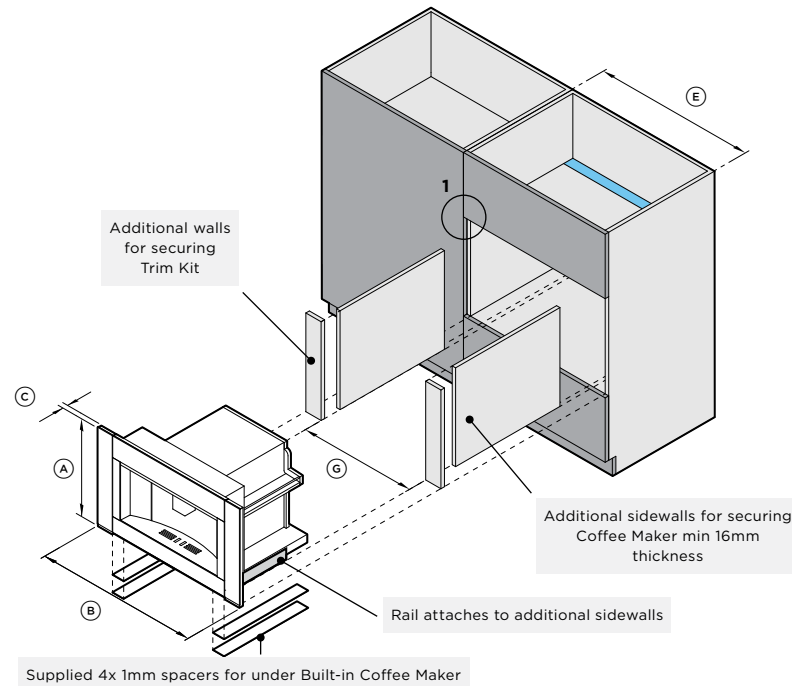
ABOVE CLEARANCE

PROFILE VIEW



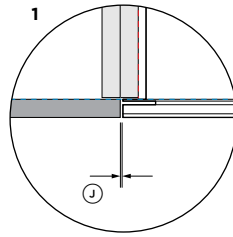
BOTTOM CLEARANCE

Requires no clearance



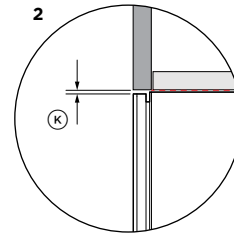
The models shown in this Planning Guide may not be available in all markets and are subject to change at any time. Product specifications may vary from those shown. This Planning Guide should not be used as installation guidance for any product. Further information is required to safely and correctly install the products featured here. Specific installation guidance will be available with the product on delivery and on our website fisherpaykel.com

Model no:	
WB76SCX3	76cm Series 9 Contemporary Warming Drawer
Product Dimensions	
	mm
(A) Overall height of product	271
(B) Overall width of product	758
(C) Thickness of front panel	20
Note: Drawers can fully support 76cm Fisher & Paykel ovens, without adding shelf in between.	
Cabinetry Dimensions	
	mm
(D) Recommended cabinet height - single install	273
(E) Recommended cabinet width	762
(F) Minimum inside height of cavity	273
(G) Minimum inside width of cavity	724
(H) Minimum inside depth of cavity*	580
(I) Thickness of cabinetry front panel	16-20
*Measured from front of chassis.	
Cabinetry clearances	
	mm
(J) Minimum clearance between adjacent front panel or appliance	2
(K) Minimum clearance above products front panel to upper cabinetry front panel or appliance*	4
*Achieve a smaller gap between product front panel to upper cabinetry front panel by dropping cabinetry front panel down.	
Note: If installing a cooktop above the oven, ensure adequate clearance is provided for the cooktop as per the cooktop manufacturer's instructions.	



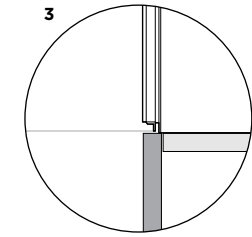
ADJACENT CABINET

PLAN VIEW



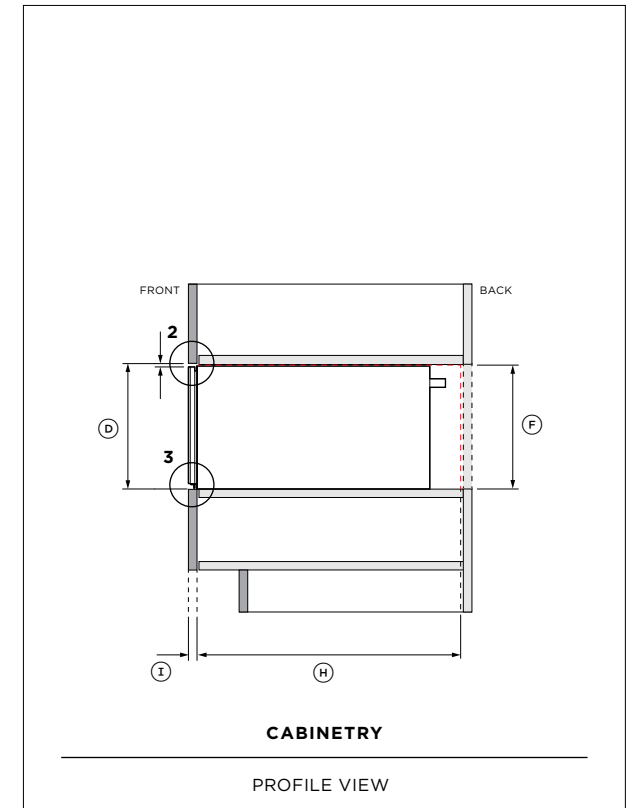
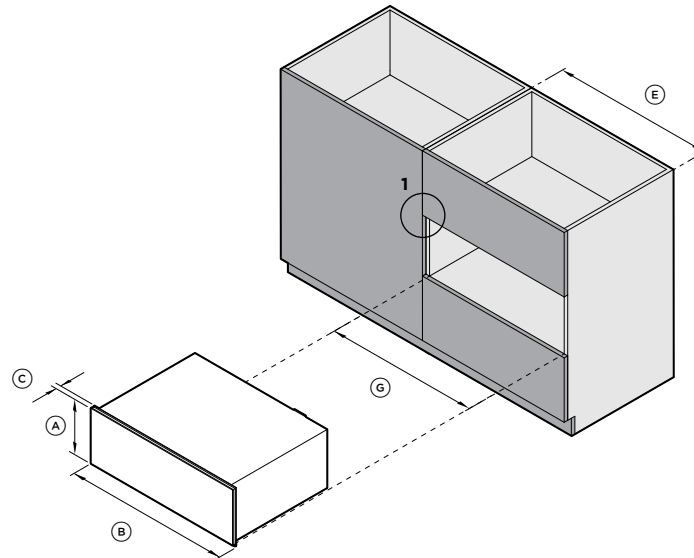
ABOVE CLEARANCE

PROFILE VIEW



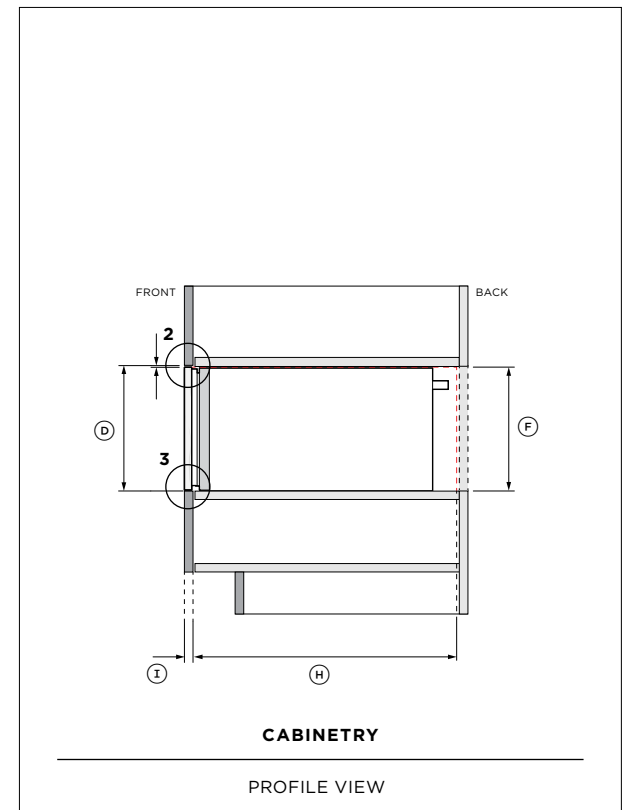
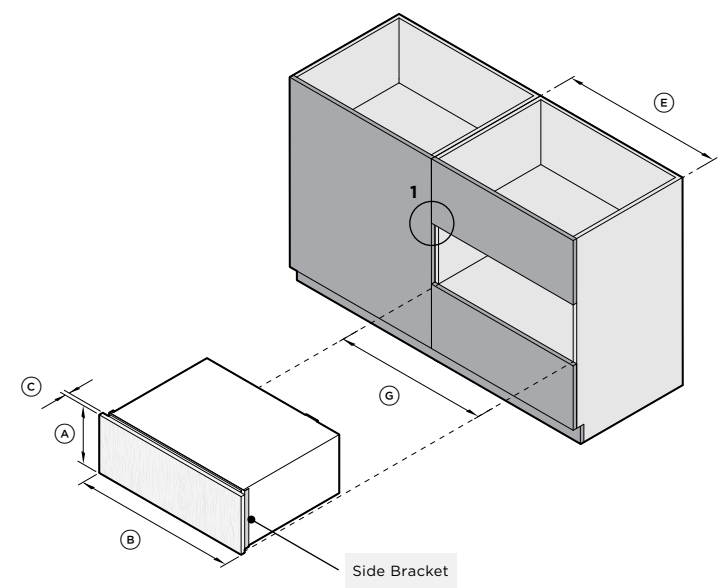
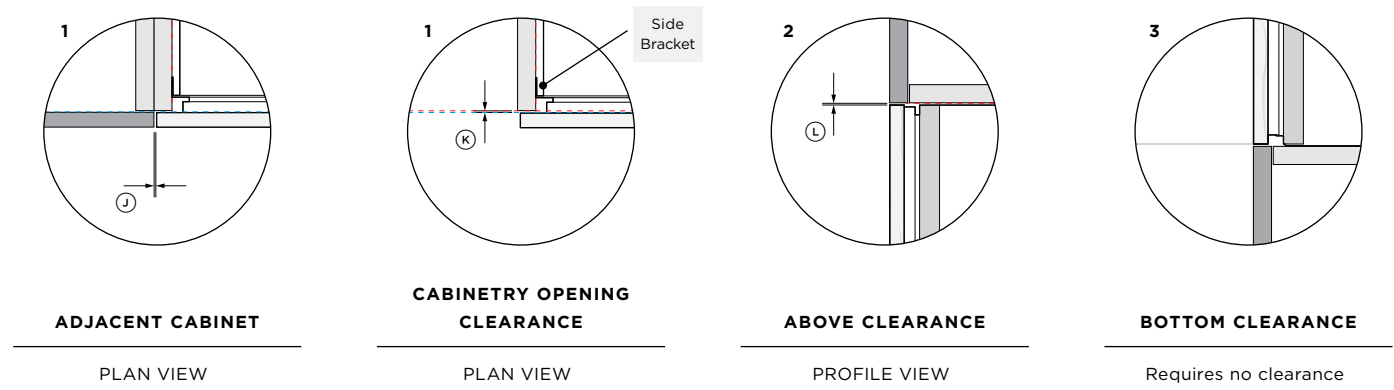
BOTTOM CLEARANCE

Requires no clearance



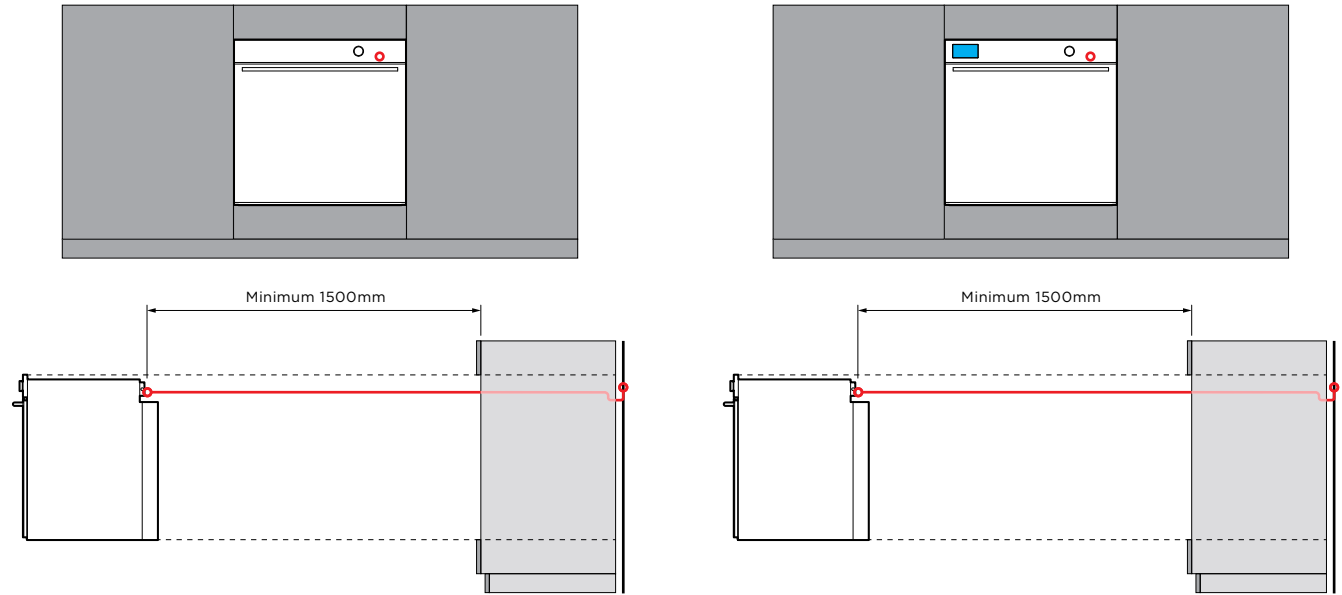
The models shown in this Planning Guide may not be available in all markets and are subject to change at any time. Product specifications may vary from those shown. This Planning Guide should not be used as installation guidance for any product. Further information is required to safely and correctly install the products featured here. Specific installation guidance will be available with the product on delivery and on our website fisherpaykel.com


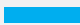
Model no:	
WB76SDEI3	76cm Series 9 Integrated Warming Drawer
Product Dimensions	
	mm
(A) Overall height of product	271
(B) Overall width of product	758
(C) Thickness of custom front panel	min 16
Note: Maximum custom front panel weight 5kg.	
Cabinetry Dimensions	
	mm
(D) Recommended cabinet height - single install	273
(E) Recommended cabinet width	762
(F) Minimum inside height of cavity	273
(G) Minimum inside width of cavity	724
(H) Minimum inside depth of cavity*	580
(I) Thickness of cabinetry front panel	16-20
*Measured from front of chassis.	
Cabinetry clearances	
	mm
(J) Minimum clearance between adjacent front panel or appliance	2
(K) Clearance behind custom front panel for push-to-open mechanism*	2
(L) Minimum clearance above product custom front panel to upper cabinetry front panel or appliance	2
*A clearance of 2mm between the cabinet and the custom front panel is required for the push-to-open mechanism (spacer included).	
Note: Drawers can fully support 76cm Fisher & Paykel ovens, without adding shelf in between.	



The models shown in this Planning Guide may not be available in all markets and are subject to change at any time. Product specifications may vary from those shown. This Planning Guide should not be used as installation guidance for any product. Further information is required to safely and correctly install the products featured here. Specific installation guidance will be available with the product on delivery and on our website fisherpaykel.com

SERVICES



POWER CABLE 
 WATER TANK 

CONNECTION

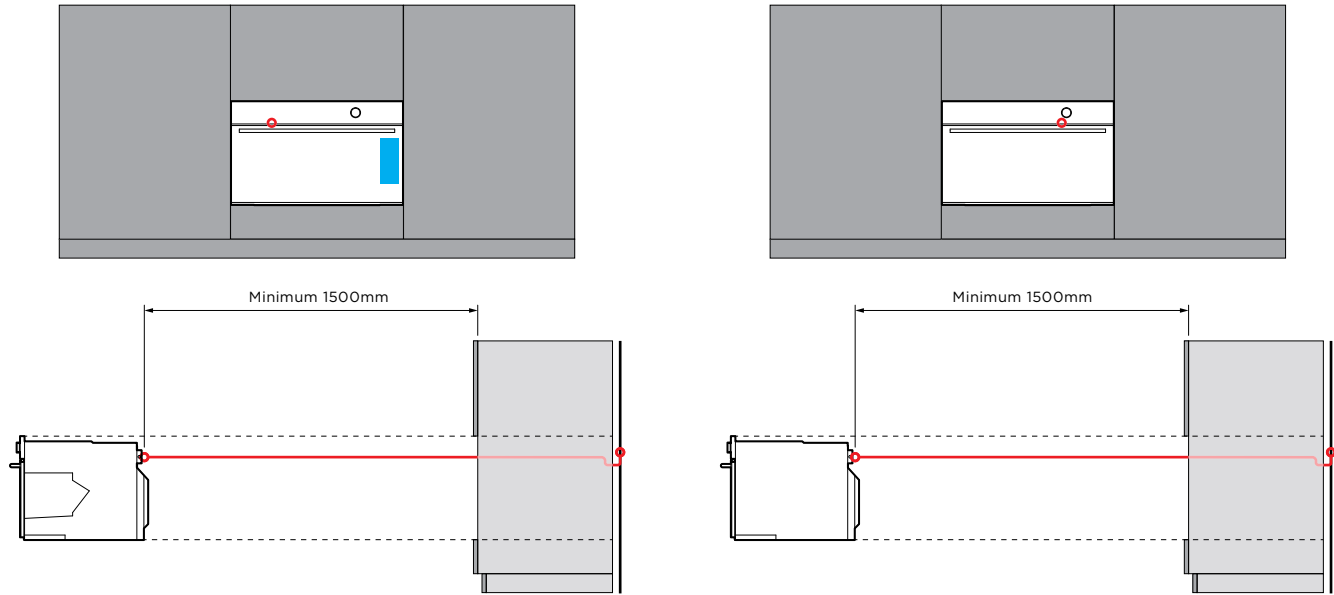
Connections may be located in an adjacent cabinet to either side of the appliance. Ensure power will remain accessible following install to allow access for any future product maintenance.

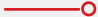

POWER CORD	
Power cord free length*	
Location	
Connection**	
*The electrician provides sufficient free length of power supply cable to reach from the bottom rear of the cavity to at least 1500mm in front of the bottom edge of the opening. **For more information, refer to the Installation Guide.	
ELECTRICAL	
Supply	
Service	
Note: Multiple product installation requires the design of power outlets according to local regulations.	
CAPACITY	
Total oven capacity	
Total water tank capacity	

PYROLYTIC OVEN OB76SCPUDX3	
Power cord free length*	Minimum 1500mm
Location	Upper right
Connection**	Hard wired
Supply	220-240 V, 50 Hz
Service	20 A
Note: Multiple product installation requires the design of power outlets according to local regulations.	
Total oven capacity	137L
Total water tank capacity	-

PYROLYTIC STEAM ASSIST OVEN OB76SCPSUDX3	
Power cord free length*	Minimum 1500mm
Location	Upper right
Connection**	Hard wired
Supply	220-240 V, 50 Hz
Service	20 A
Note: Multiple product installation requires the design of power outlets according to local regulations.	
Total oven capacity	137L
Total water tank capacity	0.67L

The models shown in this Planning Guide may not be available in all markets and are subject to change at any time. Product specifications may vary from those shown. This Planning Guide should not be used as installation guidance for any product. Further information is required to safely and correctly install the products featured here. Specific installation guidance will be available with the product on delivery and on our website fisherpaykel.com



POWER CABLE 
 WATER TANK 

CONNECTION

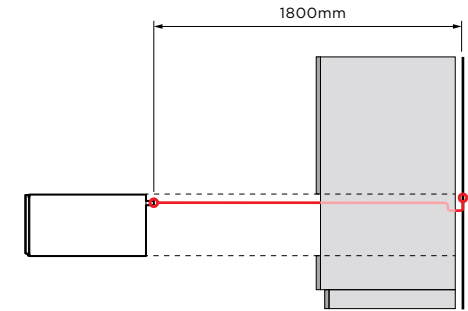
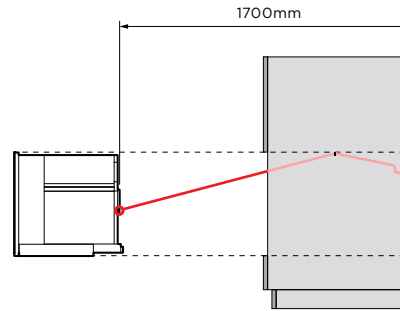
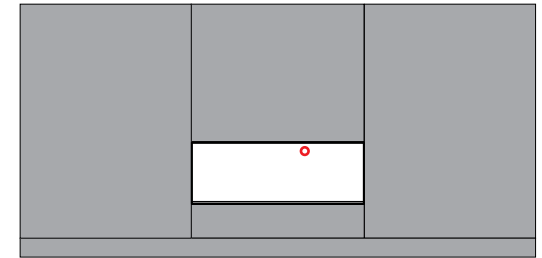
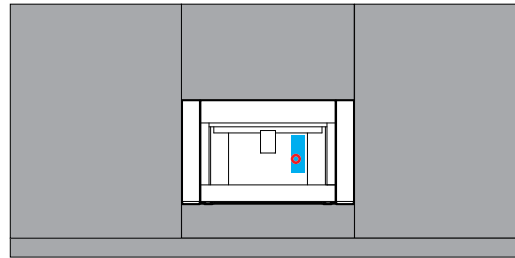
Connections may be located in an adjacent cabinet to either side of the appliance. Ensure power will remain accessible following install to allow access for any future product maintenance.

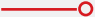

POWER CORD	
Power cord free length*	
Location	
Connection**	
*The electrician provides sufficient free length of power supply cable to reach from the bottom rear of the cavity to at least 1500mm in front of the bottom edge of the opening. **For more information, refer to the Installation Guide.	
ELECTRICAL	
Supply	
Service	
Note: Multiple product installation requires the design of power outlets according to local regulations.	
CAPACITY	
Total oven capacity	
Total water tank capacity	

COMPACT COMBI-STEAM OVEN OS76NCUDX3	
Minimum 1500mm	
Upper Left	
Hard wired	
220-240 V, 50 Hz	
20 A	
55L	
1.4L	

COMPACT COMBI-MICROWAVE OVEN OM76NCUDX3	
Minimum 1500mm	
Upper right	
Hard wired	
220-240 V, 50 Hz	
20 A	
49L	
-	

The models shown in this Planning Guide may not be available in all markets and are subject to change at any time. Product specifications may vary from those shown. This Planning Guide should not be used as installation guidance for any product. Further information is required to safely and correctly install the products featured here. Specific installation guidance will be available with the product on delivery and on our website fisherpaykel.com



POWER CABLE 
WATER TANK 

CONNECTION

Connections may be located in an adjacent cabinet to either side of the appliance. Ensure power will remain accessible following install to allow access for any future product maintenance.

POWER CORD	
Maximum power cord length*	
Location	
Connection**	
*Measured from power outlet, supplied with product. **For more information, refer to the Installation Guide.	
ELECTRICAL	
Supply	
Service	
Note: Multiple product installation requires the design of power outlets according to local regulations.	
CAPACITY	
Total water tank capacity	

BUILT-IN COFFEE MAKER WITH TRIM KIT	
EB60CSX3, TK7630NCX3	
Maximum power cord length*	1700mm
Location	Lower centered
Connection**	Plug with flex cord
*Measured from power outlet, supplied with product. **For more information, refer to the Installation Guide.	
Supply	220-240 V, 50 Hz
Service	10 A
Note: Multiple product installation requires the design of power outlets according to local regulations.	
Total water tank capacity	2.4L

WARMING DRAWER AND INTEGRATED WARMING DRAWER	
WB76SCX3, WB76SDEI3	
Maximum power cord length*	1800mm
Location	Upper right
Connection**	Plug with flex cord
*Measured from power outlet, supplied with product. **For more information, refer to the Installation Guide.	
Supply	220-240 V, 50 Hz
Service	10 A
Note: Multiple product installation requires the design of power outlets according to local regulations.	
Total water tank capacity	-

The models shown in this Planning Guide may not be available in all markets and are subject to change at any time. Product specifications may vary from those shown. This Planning Guide should not be used as installation guidance for any product. Further information is required to safely and correctly install the products featured here. Specific installation guidance will be available with the product on delivery and on our website fisherpaykel.com

