

# Gas Range, 24", 4 Burners

Series 5 | Contemporary

Stainless Steel

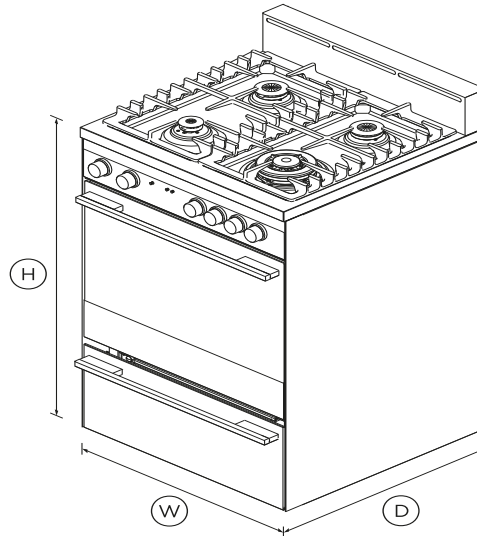


Perfect for compact kitchens, but with plenty of room to cook a large family roast and all the sides.

- Four burner gas cooktop, with wok burner
- Gas oven with 2.5 cu.ft total capacity and four oven functions including Defrost and Convection Bake

## DIMENSIONS

Height	35 7/16 - 36 7/32"
Width	23 7/8"
Depth	24 3/32"



## FEATURES & BENEFITS

### COOKING FLEXIBILITY

This freestanding gas range has four functions with pre-set temperatures, including Bake, Broil and Convection Bake allowing you to use a variety of cooking styles.

### SIZED TO SUIT

Designed for multi-shelf cooking, this freestanding range provides 2.5 cu ft of total capacity, enough room for a large family roast.

## PRECISE CONTROL

The consistent flame and heat distribution of the gas burners combined with highly responsive dials offer precise heat control. Perfect a slow simmer for sauces or an intense heat for searing steaks.

## EASY CLEANING

Cleaning is quick and simple. The cooktop is easy to clean as it is made from a single piece of stainless steel that contains spills. The oven door and its inner pane of glass can be removed for easy cleaning.

## SAFE AND SOUND

The double glazed door keeps the heat on the inside, protecting your hands and surrounding cabinetry. The gas cooktops flame failure safety device automatically turns off the gas if the flame is accidentally extinguished.

## COMPLEMENTARY DESIGN

With their black reflective glass and stainless steel finish, our freestanding cookers are designed to match the rest of Fisher & Paykel's kitchen appliance family.

## SPECIFICATIONS

### Accessories

Kick strip, stainless steel	KICKOR36X1
Step down wire shelf	•

### Burner ratings

Auxiliary burner (natural gas)	3500BTU
Semi-rapid burner (natural)	6000BTU
Triple ring wok burner (natural)	12000BTU

### Capacity

Shelf positions	3
-----------------	---

**Cleaning**

- Acid resistant graphite enamel •
- Removable oven door •
- Removable oven door inner •

**Controls**

- Automatic cooking/minute •
- Electronic clock •

**Oven features**

- Cooling Fan Warning Light •
- Electronic ignition •

**Oven functions**

- Bake •
- Broil •
- Convection bake •
- Defrost •
- Grill •

**Oven performance**

Broil **8500 BTU**

**Power requirements**

Amperage **0.1A**  
 Supply frequency **60Hz**

**Product dimensions**

Depth **24 3/32"**

Height **35 7/16 - 36 7/32"**

Width **23 7/8"**

**Rangetop features**

- Cast iron grates •
- LPG/Natural gas compatible •

**Rangetop Performance**

Number of burners **4**

**Safety**

- ADA compliant •
- Advanced cooling system •
- Anti-tilt bracket •
- Door and cavity cooling •
- Glazed door •
- Non-tip shelves •

SKU **81554**

The product dimensions and specifications in this page apply to the specific product and model. Under our policy of continuous improvement, these dimensions and specifications may change at any time. You should therefore check with Fisher & Paykel's Customer Care Centre to ensure this page correctly describes the model currently available. ? Fisher & Paykel Appliances Ltd 2020

**Other product downloads available at fisherpaykel.com**

- [↓](#) User Guide
- [↓](#) Service & Warranty
- [↓](#) Installation Guide
- [↓](#) Data Sheet Gas Range



**A PEACE OF MIND SALE**

**24 Hours 7 Days a Week Customer Support**

**T 1.888.936.7872 Wwww.fisherpaykel.com**