

FISHER & PAYKEL

SPECIFICATION GUIDE

WALL RANGEHOOD WITH EXTERNAL BLOWER



OVERVIEW

Designed to complement any kitchen design, these wall chimney rangehoods are made from quality stainless steel with an excellent finish. With three fan speeds, plus a boost function, powerful extraction quickly removes odours and steam. The external blower is installed outside the home to deliver near silent extraction without compromising performance.

MODELS

Wall Rangehood, 90cm, Box Chimney, with External Blower
HC90DCEXB3

SERIES & STYLE

Series 7
Contemporary Style

FEATURES

- ① Designed to fit Contemporary style kitchens
- ② External blower that can deliver near silent and effective extraction of odours and steam
- ③ Powerful 1200m³/hr maximum airflow
- ④ Energy efficient LED lighting creates a warm, even glow
- ⑤ Sleek black glass and stainless steel finish
- ⑥ Three fans speeds plus a boost function
- ⑦ Easy-to-use touch-control panel
- ⑧ Automatic alert works as a reminder to clean filters for optimal performance
- ⑨ Removable, easy-to-clean filters that effectively trap grease

EXTERNAL BLOWER & MOUNTING KIT (included)

External blower & mounting kit:

- Backdraft damper assembly
- Roof penetration pipe - 150mm internal diameter PVC
- Duct adapter 150 - 200mm
- 200mm Flexible ducting - 6m length

Roof seal is required for correct installation (not included)

ACCESSORIES

- ① Aluminium filters (792577)
- ② Chimney extension (791774)
- ③ Light bulbs (792556)

FISHER & PAYKEL

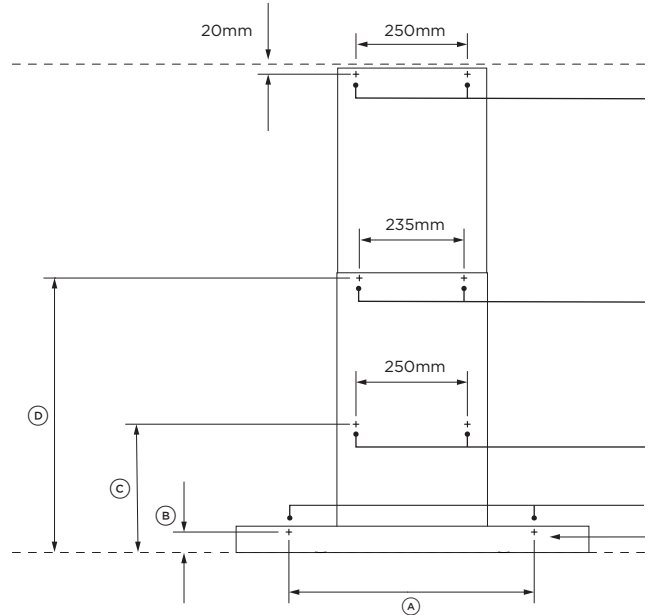
SPECIFICATION GUIDE

WALL RANGEHOOD, 90CM WITH EXTERNAL BLOWER

SPECIFICATIONS

Model No.	HC90DCEXB3 (1200m ³ /hour Airflow)
Dimensions	H 595mm x W 898 x D 500mm
Diameter of vent connection	200mm
Weight	13.4kg
Install option	Roof mount external blower, external duct
Minimum distance above cooktops	Consult the cooktop installation guide for details of the required installation height of the rangehood
Electrical	
Supply	230VAC, 50Hz
Outlet	3 pin plug
Light source	
Type	LED bulbs
Temperature	3000K

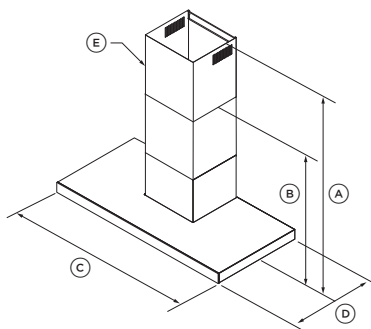
ATTACHMENT DIMENSIONS



mm

(A)	Lower rangehood attachment point width	580
(B)	Lower rangehood attachment point height	36
(C)	Upper rangehood attachment point height	286
(D)	Chimney bracket attachment point height	559

PRODUCT DIMENSIONS



ISO VIEW

mm

(A)	Maximum overall height of rangehood	1035
(B)	Minimum overall height of rangehood	595
(C)	Overall width of rangehood	898
(D)	Overall depth of rangehood	500
(E)	Diameter of ducting outlet	200

FISHER & PAYKEL

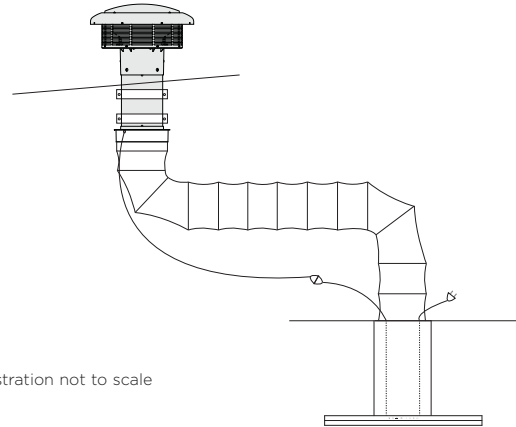
SPECIFICATION GUIDE

EXTERNAL BLOWER

SPECIFICATIONS

Model No.	HB1200E for use with HC60DCEXB3 and HC90DCEXB3 rangehood models
Dimensions	H 655mm x Ø 400mm
Diameter of vent connection	200mm
Weight	5.3kg
Install option	Only with compatible rangehood. Roof mount external blower, external duct
Distance from rangehood	4 - 6m
Electrical	
Supply	230VAC, 50Hz
Outlet	3 pin plug
Length of power cord	6000mm

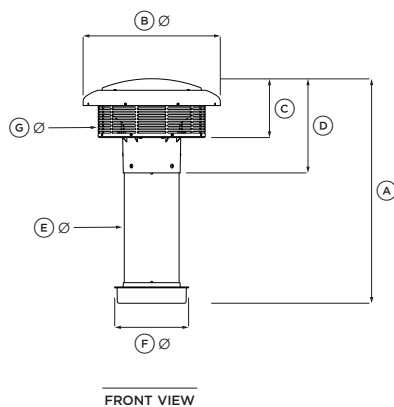
INSTALLATION REQUIREMENTS



For optimum performance of this blower:

- Mount the blower with 4 - 6m of ducting.
- The blower must be mounted 4 - 6m from the rangehood.
- Use only the supplied Fisher & Paykel flexible ducting. If additional ducting is required this can be purchased from Fisher & Paykel.
- Extend ducting and cut to required length.
- Bends in ducting should be smooth, gradual and have a radius of at least two times the duct diameter.
- Ducting from rangehood to blower has at least 2 bends.

PRODUCT DIMENSIONS



		mm
(A)	Overall height	755
(B)	Overall diameter	400
(C)	Height of the blower unit	174
(D)	Height of external blower and backdraft damper	275
(E)	Outer diameter of roof pipe	160
(F)	Diameter of ducting outlet	200
(G)	Diameter of grill	315