

DISHWASHER - DW60FC2 AND DW60UC2 MODELS

NZ AU

For detailed information on the features of your dishwasher



see your 'User guide'

For warranty information



see your 'Service and warranty' booklet

If you...

- have any questions or comments
- need a Fisher & Paykel authorized technician to service your product
- need replacement parts or accessories
- want to register your product



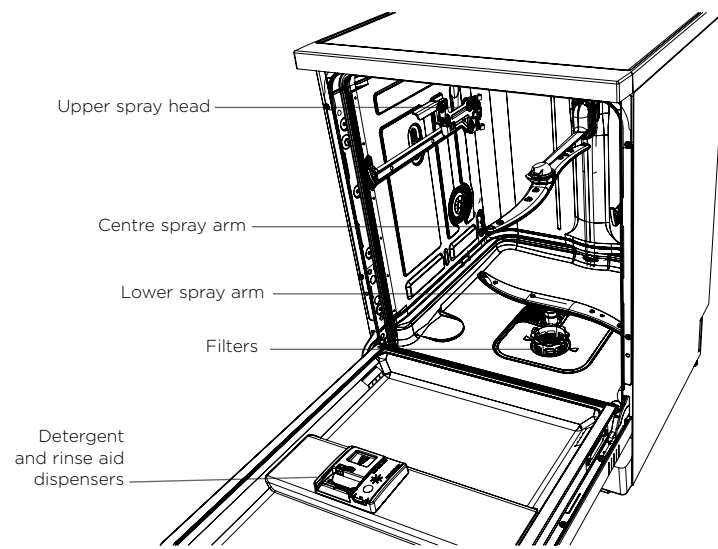
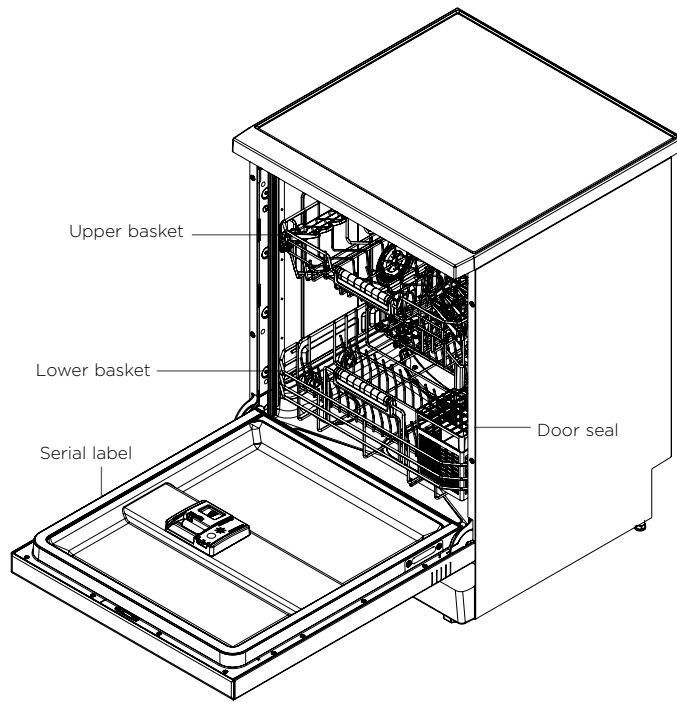
see your 'Service and warranty' booklet or contact us

NZ toll-free, 24/7 0800 372 273  
 AU toll-free, 24/7 1300 650 590

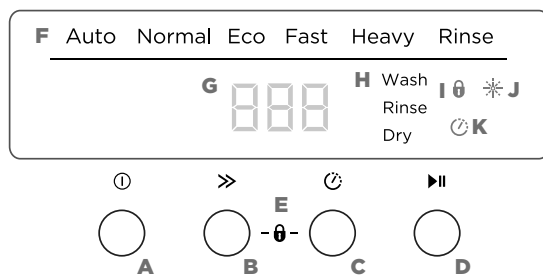
www.fisherpaykel.com

PRODUCT OVERVIEW

Make sure the installer has removed all packaging and completed the 'Final checklist' in the Installation instructions.



CONTROLS OVERVIEW



Controls Description

- A Off/On**  
Press ① to turn the dishwasher on or off.
- B Wash programme selector**  
Press >> to scroll through the wash programmes.
- C Delay start**  
Press ⌚ to enter delay start. (See 'Setting delay start')
- Start**
- D** Press ▶▶ to start the wash. To pause: Press ▶▶ again or open door.

- E Keylock**
  - Keylock disables all the buttons so that a wash cannot accidentally be started.
  - Keylock can be activated or canceled at any stage, including while a wash programme is running.

To activate:  
Press and hold >> and ⌚ together for a second until you hear a beep. The keylock indicator will come on and remain lit until keylock is canceled.

To cancel:  
Press and hold >> and ⌚ together for four seconds until you hear a beep. The keylock indicator will flash and then go out.

- F Wash program indicators**  
These show which programme is selected.

- G Display**  
This shows:
  - the time remaining (minutes)
  - the delay start time (hours)
  - Fault code numbers (see section 'If there is a fault code')

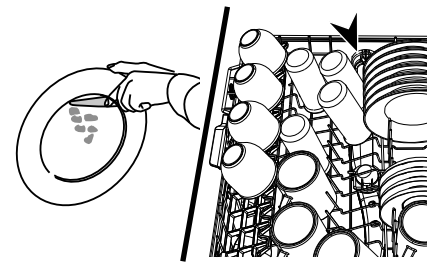
- H Wash progress indicators**  
Shows the stage of the wash cycle currently in progress.

- I Keylock indicator**  
If lit: keylock is activated.

- J Rinse aid indicator**  
If lit: Rinse aid dispenser requires filling.

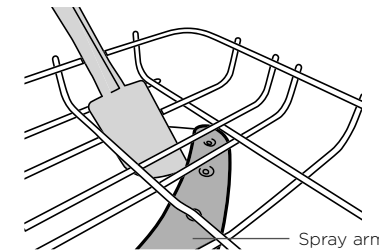
- K Delay start indicator**  
If lit: start is delayed.

Starting a wash

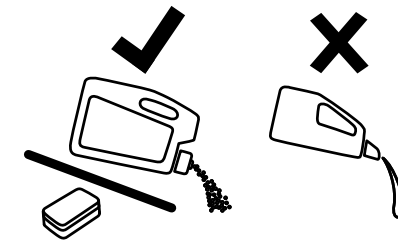


① Discard food scraps and load dishes carefully

- Scrape large food particles off (e.g. bones, fruit stones) and remove any foreign objects (e.g. toothpicks, strings, paper).
  - To help with wash performance, arrange dishes so they are evenly spaced and not nesting.
- For more detail, see user guide: 'Caring for your dinnerware' 'Loading'

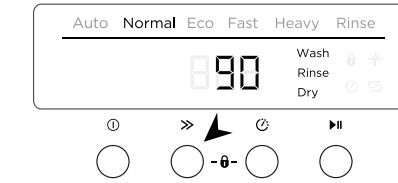


⑤ Check that nothing obstructs the spray arms, then close the door firmly



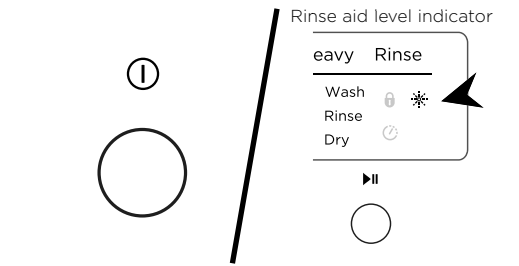
② Add detergent

- Fill the detergent dispenser with powdered detergent and close the dispenser door or place a dishwasher tablet in the cutlery basket.
- For more detail, see user guide: 'Water hardness and dishwashing' 'Wash programmes and detergent quantities' 'Adding detergent'



⑥ Select wash programme

- Press >> to scroll through the wash programmes.



③ Turn power on (also check water is turned on)

For more detail, see user guide: 'Controls and starting a wash'.

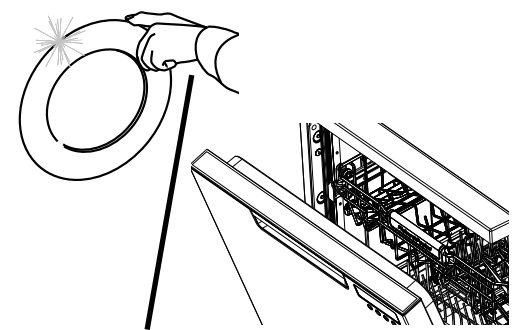
④ Check rinse aid level, refill if necessary

- If the rinse aid level is low, the rinse aid indicator on the display will light up.
  - Press the button to snap the dispenser cover open
  - Pour rinse aid into the circular opening (up to the MAX marking)
  - Wipe up any spills and click shut the cover.

For more detail, see user guide: 'Using rinse aid'

<b>Auto</b>	Senses the optimal wash programme for your dishes
<b>Normal (Default)</b>	Dishes with normal soils for optimum wash and dry performance
<b>Normal Eco</b>	Dishes with normal soils for optimum energy and water usage
<b>Fast</b>	A fast wash for lightly soiled dishes
<b>Heavy</b>	Heavily soiled pots, pans and dishes
<b>Rinse</b>	Prevents odours and soils from drying on dishes

After the wash has ended



- ⑧ The dishwasher will beep. The display will show 1. After 30 seconds the display will turn off.

- ⑨ **Open the door slightly and leave ajar to help drying. Once cooled, unload dishes carefully**

For more detail, see user guide: 'After the wash'

- Check condition of dishwasher, clean if necessary.

⑦ Start wash

- Press ▶▶ to start the wash programme **OR set Delay start**
  - Press ⌚ to enter delay start. Press ⌚ again to increase the time (in hours).
- For more detail, see user guide: 'Setting Delay start'

To cancel a wash once it has started

- Press ① to cancel the programme. --- will show in the display, then the wash progress indicators will go out and the display will turn off.

- If you wish, you can start a different programme. Note: you may need to refill the detergent dispenser.

To pause and restart a wash programme

- Press ▶▶ to pause the programme.
- The programme status (eg Wash) will flash while the dishwasher is paused. Open the door very slowly.

**IMPORTANT!**

**There is a risk of being sprayed with hot water. Do not fully open the door until the spray arms have stopped rotating.**

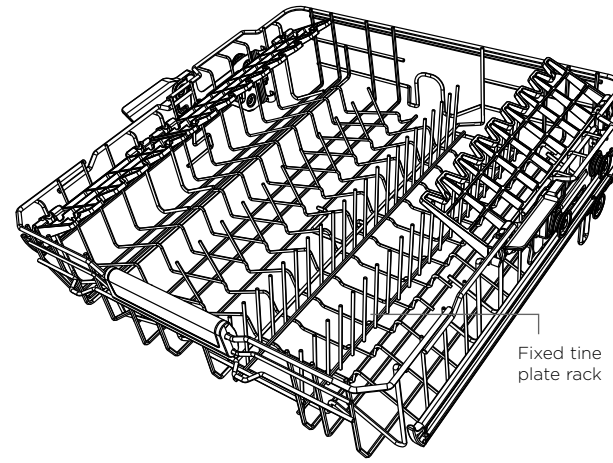
- Load, remove, or rearrange any dishes if needed.
- Press ▶▶ to restart the programme. If the dishwasher is not restarted within 7 minutes, it will then beep until the cycle is restarted.

## UPPER BASKET

- The upper basket is designed to hold items like glasses, cups, saucers, plates, small bowls and shallow pans.
- Place larger utensils on or under the foldaway cup racks in the upper basket. Ensure that knife blades are facing down and that light weight items are weighted down or placed on the cupracks.

### Fixed tine plate rack

- Use the fixed tine plate rack to support saucers, small plates and bowls.
- The tine spacing has been optimized for maximum wash performance of plates and bowls.
- The fixed tine plate rack is **not removable**.



Front right cup rack hidden for illustration

### Adjustable Foldaway Cup Racks

- Use the cup racks to support mugs, cups and glassware, and to secure large utensils and knives.
- Adjust the height to suit the items stored on or below the racks.
- Fold the racks away if you need to make space for taller items.

#### You can adjust these independently of each other to any height:

- 1 Fold up to unlock the rack.
  - 2 Adjust the height to suit by sliding up or down.
  - 3 Fold down to lock in position.
- Fold the racks away if you need the space.

### Adjusting the height of the Upper Basket

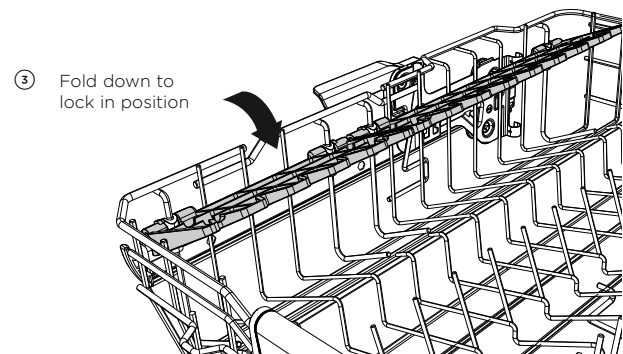
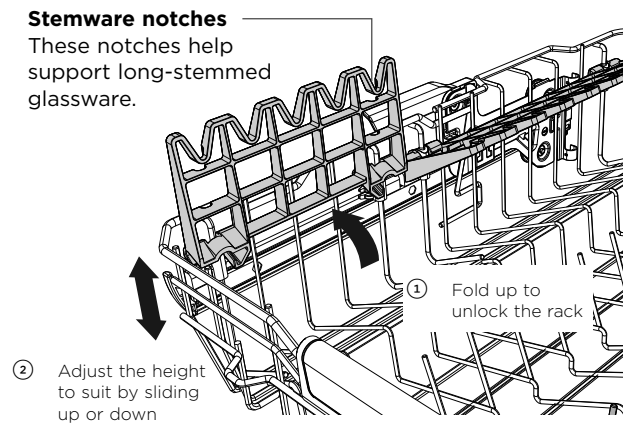
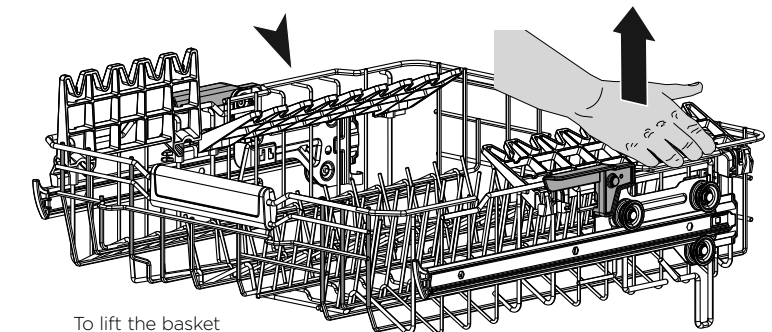
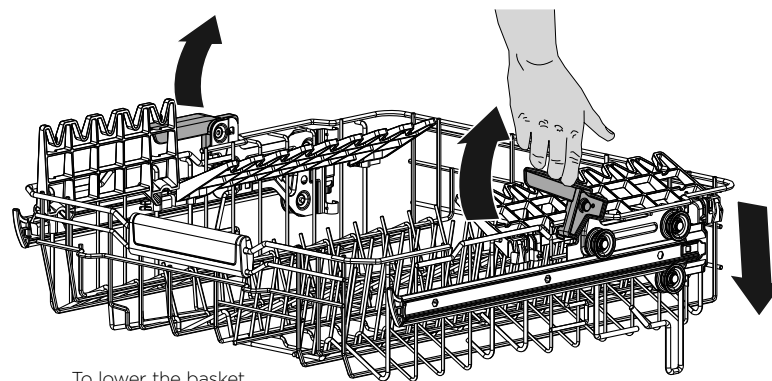
- Raise or lower the height of the upper basket to create more space for tall items in either basket (there are three positions to choose from).
- You can adjust the height even when it is fully loaded, as you do not have to remove it from the dishwasher.
- Make sure the basket is evenly adjusted on both sides.
- If you are removing the basket fully, make sure that the runners are aligned at the same height on both sides before re-inserting.

#### To lower the basket

- Pull the lever up on one side and, without releasing it, carefully let the basket drop down.
- Use the other hand to support the opposite side of the basket, so that it doesn't drop suddenly and damage loaded dishes.
- Repeat for the other side.

#### To lift the basket

- Hold it on one side and carefully pull upwards until it clicks into place. Repeat for the other side.
- Note: you do not need to lift the levers up when raising the height of the basket back up.

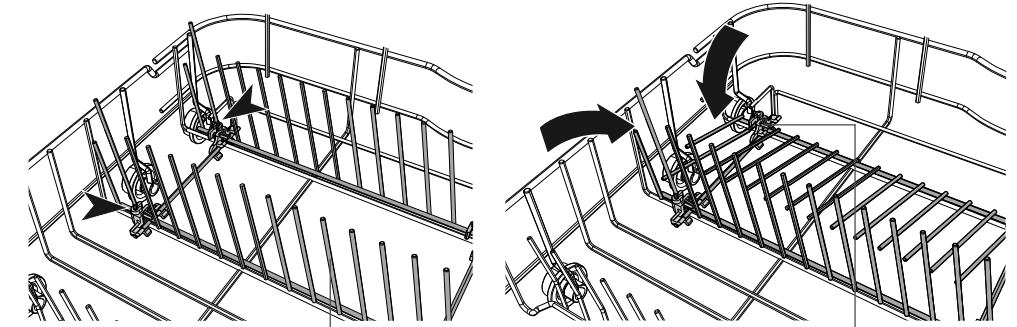


## LOWER BASKET

- Use the lower basket for your largest dishes: pots, pans, lids, serving dishes and bowls.
- Ensure dishware items do not block the spray arm above from rotating.
- Place larger plates between the longer tines to maximise stability.
- If you need more height for tall items, you can raise the upper basket. See instructions opposite.

### Folding tine rack

- These tines can be folded down if you need the space for pots or other large items.
- Release by pushing the small clips at the rear and fold the tine sections down towards each other.



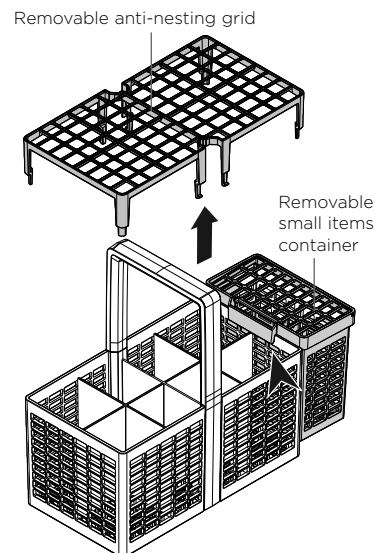
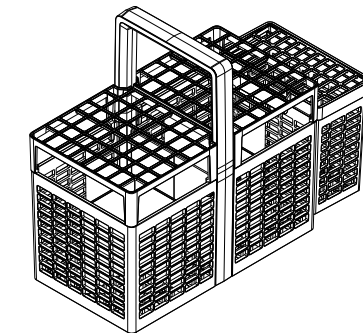
Folding tine racks

Release by pushing the small clips at the rear and fold the tine sections down towards each other

## CUTLERY BASKET

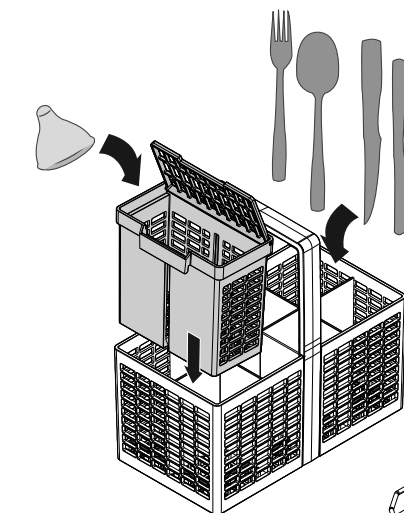
### Removable anti-nesting grid

- The anti-nesting grid clips onto the top of the cutlery basket.
- Use the grid to separate cutlery items and stop them nesting together.



### Loading

- To reduce the risk of injury, we recommend loading knives and sharp utensils with handles facing up.
- Mix spoons, knives and forks within each section to stop cutlery nesting together and to ensure the water circulates freely. Alternatively, use the clip-on anti-nesting grids to keep cutlery items apart.
- Keep stainless steel from touching silver cutlery to avoid staining.



### Removable small items container

- Small, light items like baby bottle teats are best placed into the small items container to prevent them from being displaced during the wash.
- You can extend your cutlery basket by clipping the container on its side.
- To optimise the cutlery space within the basket, the small items container can be placed elsewhere in the basket. If laid flat, make sure the solid plastic side is facing up.
- If you place a fully laden small items container under the cup racks, it is best to leave the rack space directly above the container empty: there may not be enough water reaching items that are placed there.

