

**76CM BUILT-IN OVENS AND COMPANIONS
PROFESSIONAL**

PLANNING GUIDE

SERIES 9

OB76DPPTX1 | OB76SPPTX1 | OS76NPTX1 | OM76NPTX1 | EB76PSX1 | WB76SPEX1

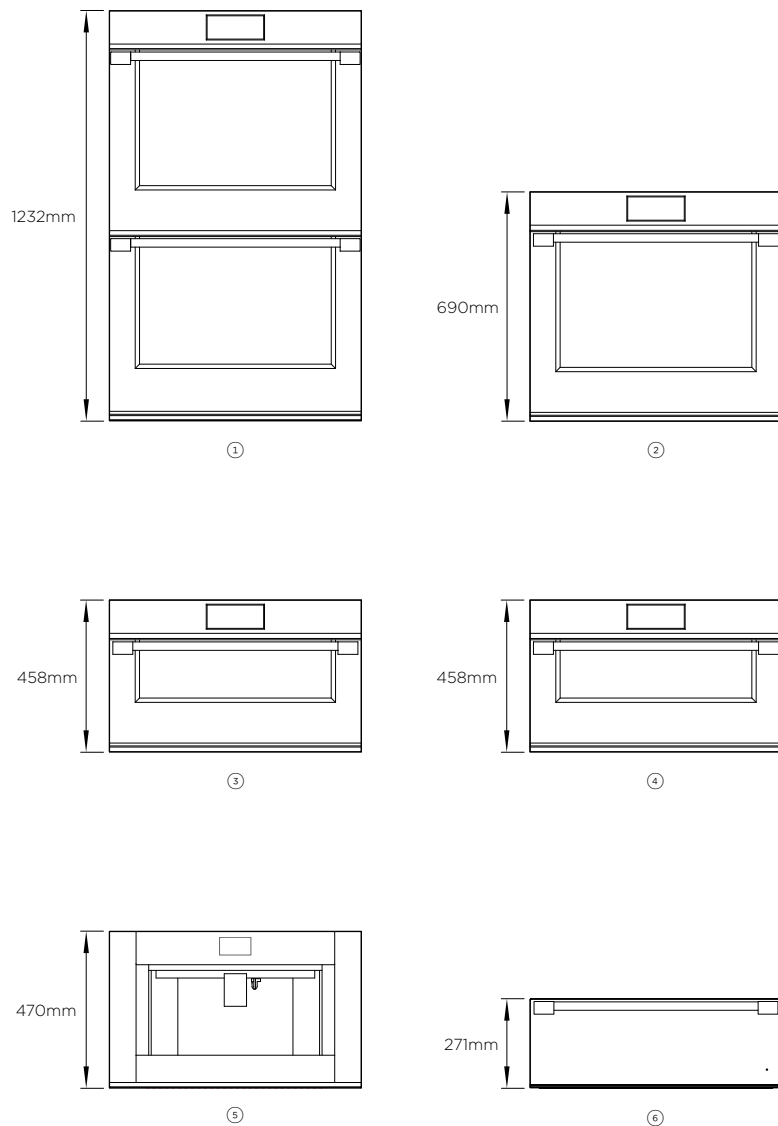
FISHER & PAYKEL

This comprehensive Planning Guide provides you with the framework and tools to achieve your desired design outcome with Fisher & Paykel appliances. In this guide, you will find a range of conceptual, detailed, and dimensional product information to bring your ideas to life and create spaces that truly reflect your vision.

CONCEPT DESIGN	PAGE	DEVELOPED AND DETAILED DESIGN	PAGE	DEVELOPED AND DETAILED DESIGN	PAGE
Design Choices	4				
Specification Guides Oven		Planning Guide information for Developed and Detailed Design available in Q3 2024			
Built-In Double Oven	6				
Built-In Oven	8				
Specification Guides Steam & Microwave Ovens					
Combination Steam Oven	10				
Combination Microwave Oven	11				
Specification Guides Coffee Maker					
Built-In Coffee Maker	13				
Specification Guides Drawers					
Warming Drawer	15				

NOTE: The models shown in this guide may not be available in all markets and are subject to change at any time.

DESIGN CHOICES



PRODUCT OVERVIEW

① **OB76DPPTX1**
Built-In Double Oven, 5" Touchscreen

② **OB76SPPTX1**
Built-In Oven, 5" Touchscreen

③ **OS76NPTX1** (AVAILABLE Q3, 2024)
Combination Steam Oven, 5" Touchscreen

④ **OM76NPTX1** (AVAILABLE Q3, 2024)
Combination Microwave Oven, 5" Touchscreen

⑤ **EB76PSX1**
Built-in Coffee Maker, 4.3" Touchscreen

⑥ **WB76SPEX1**
Warming Drawer

CONSIDERATION

Different configurations possible, consider product heights for side-by-side installation.

The models shown in this Planning Guide may not be available in all markets and are subject to change at any time. Product specifications may vary from those shown. This Planning Guide should not be used as installation guidance for any product. Further information is required to safely and correctly install the products featured here. Specific installation guidance will be available on our website fisherpaykel.com

SPECIFICATION GUIDE

SERIES 9



OVERVIEW

Complete your Professional-style kitchen with this 76cm Double Oven. It matches perfectly with any of our Professional kitchen appliances to deliver the feel of a commercial kitchen in the home. Intuitive controls and the performance to deliver perfect results make this double oven beautiful to use.

PRODUCTS

OB76DPPTX1

Double Oven, 76cm, 17 Function, 115L + 115L, Touchscreen, Stainless Steel

SERIES & STYLE

Series 9
Professional

FEATURES

- ① Designed to fit flush with cabinetry
- ② Designed to match the rest of Fisher & Paykel's Professional style family of appliances
- ③ Generous 115L per oven, 230L total capacity
- ④ High-resolution, user-friendly 5" touch display
- ⑤ Guided cooking and recipes
- ⑥ Perfect results from a variety of oven functions
- ⑦ Even heat distribution throughout with AeroTech™ technology
- ⑧ Self-cleaning
- ⑨ CoolTouch door
- ⑩ Wi-Fi/Connected capability through the SmartHQ™ app

ACCESSORIES

- ① Full-extension sliding shelves*
- ② Self-cleaning-proof side racks*
- ③ Roasting dish, tray and rack*
- ④ Wired Temperature Sensor*

*Included with product

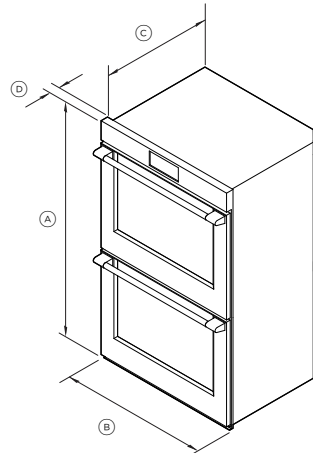


The models shown in this Planning Guide may not be available in all markets and are subject to change at any time. Product specifications may vary from those shown. This Planning Guide should not be used as installation guidance for any product. Further information is required to safely and correctly install the products featured here. Specific installation guidance will be available on our website fisherpaykel.com

SPECIFICATIONS

Model No.	OB76DPPTX1
Dimensions	H 1232mm W 757mm D 609mm
Total Oven Capacity	115L per oven
Weight	
Packaged	184kg
Electrical	
Supply	220-240 V, 50 Hz
Service	40 A

PRODUCT DIMENSIONS

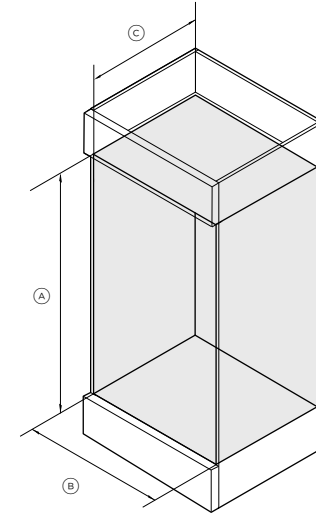


ISO VIEW

	mm
Ⓐ Overall height	1232
Ⓑ Overall width	757
Ⓒ Depth of chassis	569
Ⓓ Thickness of oven front and control panel (excl. handle and dials)	40
Depth of upper door when fully open (measured from front of control panel)	550
Depth of lower door when fully open (measured from front of control panel)	530

Note: If installing with other professional products, consider trim front thickness.

CAVITY DIMENSIONS: STANDARD INSTALLATION



ISO VIEW

	mm
Ⓐ Minimum inside height of cavity	1224
Ⓑ Minimum inside width of cavity	724
Ⓒ Minimum inside depth of cavity	
- Proud installation	575
- Flush installation	615



OVERVIEW

Complete your Professional-style kitchen with this 76cm Oven. It matches perfectly with any of our Professional kitchen appliances to deliver the feel of a commercial kitchen in the home. With intuitive controls and the performance to deliver perfect results, this oven is beautiful to use.

PRODUCTS

OB76SPPTX1

Built-In Oven, 76cm, 17 Function, 115L, Touchscreen, Stainless Steel

SERIES & STYLE

Series 9
Professional

FEATURES

- ① Designed to match the rest of Fisher & Paykel's Professional style family of appliances
- ② Generous 115L total capacity
- ③ Intuitive, large 5" touchscreen display with illuminated dial
- ④ Guided cooking and recipes
- ⑤ Perfect results from a variety of oven functions
- ⑥ Even heat distribution throughout with AeroTech™ technology
- ⑦ Self-cleaning
- ⑧ CoolTouch door
- ⑨ Wi-Fi/Connected capability through the SmartHQ™ app

ACCESSORIES

- ① Full-extension sliding shelves*
- ② Self-cleaning-proof side racks*
- ③ Roasting dish, tray and rack*
- ④ Wired Temperature Sensor*

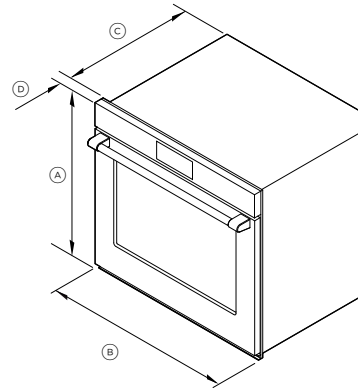
*Included with product

The models shown in this Planning Guide may not be available in all markets and are subject to change at any time. Product specifications may vary from those shown. This Planning Guide should not be used as installation guidance for any product. Further information is required to safely and correctly install the products featured here. Specific installation guidance will be available on our website fisherpaykel.com

SPECIFICATIONS

Model No.	OB76SPPTX1
Dimensions	H 690mm W 757mm D 609mm
Total Oven Capacity	15L
Weight	
Packaged	110kg
Electrical	
Supply	220-240 V, 50 Hz
Service	20 A

PRODUCT DIMENSIONS

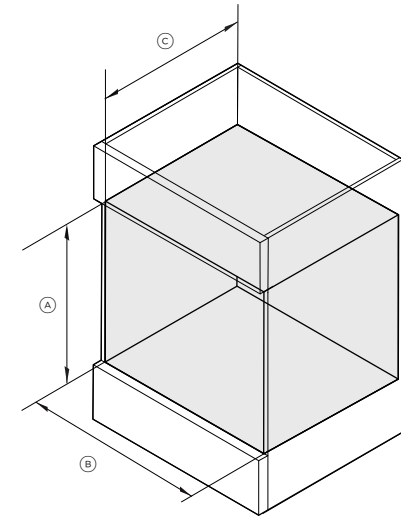


ISO VIEW

	mm
(A) Overall height	690
(B) Overall width	757
(C) Depth of chassis	569
(D) Thickness of oven front and control panel (excl. handle and dials)	40
Depth of door when fully open (measured from front of control panel)	550

Note: If installing with other professional products, consider trim front thickness.

CAVITY DIMENSIONS: STANDARD INSTALLATION



ISO VIEW

	mm
(A) Minimum inside height of cavity	681
(B) Minimum inside width of cavity	724
(C) Minimum inside depth of cavity	
- Proud installation	575
- Flush installation	615

The models shown in this Planning Guide may not be available in all markets and are subject to change at any time. Product specifications may vary from those shown. This Planning Guide should not be used as installation guidance for any product. Further information is required to safely and correctly install the products featured here. Specific installation guidance will be available on our website fisherpaykel.com



OVERVIEW

With striking Professional styling, the Combination Steam Oven fits seamlessly into any kitchen. As a companion product, this Steam Oven is designed to install easily and fit perfectly with other companion products. It features 23 functions, including steam-only, convection-only, or a combination of both. Reduce the need for oils and fats with six standalone steam functions, perfect for creating flavourful and healthy restaurant-quality meals at home. Beautiful to use, the large 5" touchscreen interface has simple and intuitive guided cooking, helping to ensure perfect results.

PRODUCTS

OS76NPTX1

Combination Steam Oven, 76cm, 23 Function

SERIES & STYLE

Series 9
Professional

FEATURES

- ① Professional style for a bold statement
- ② Generous 55L total capacity with six shelf positions
- ③ Intuitive, large 5" touchscreen display
- ④ 26 oven functions including six steam-only functions
- ⑤ Moisture control and even heat distribution thanks to ActiveVent and AeroTech™ technology
- ⑥ Guided cooking, with the option to access additional functionality via the SmartHQ™ app
- ⑦ Water tank capacity of 1.5L
- ⑧ Wi-Fi/Connected capability through the SmartHQ™ app
- ⑨ Wireless Temperature Sensor precisely monitors cooking in real time
- ⑩ Soft open and close door

ACCESSORIES

- ① Full-extension sliding shelves*
- ② Step down wire shelf*
- ③ Roasting dish, tray and rack*
- ④ Wireless Temperature Sensor - WTSC1
- ⑤ Descale solution, 2 sachets - Part 580925

*Included with product

The models shown in this Planning Guide may not be available in all markets and are subject to change at any time. Product specifications may vary from those shown. This Planning Guide should not be used as installation guidance for any product. Further information is required to safely and correctly install the products featured here. Specific installation guidance will be available on our website fisherpaykel.com



OVERVIEW

With striking Professional styling, the Combination Microwave Oven fits seamlessly into any kitchen. As a companion product, this Microwave Oven is designed to install easily and fit perfectly with other companion products such as the Combination Steam Oven, or Vacuum Seal Drawer. A flexible appliance that pairs the speed of microwave cooking with oven technology, which can crisp and brown as it cooks. Featuring 22 cooking functions on an intuitive touch display for easy programming of desired cooking mode and duration.

PRODUCTS

OM76NPTX1

Combination Microwave Oven, 76cm, 22 Function

SERIES & STYLE

Series 9
Professional

FEATURES

- ① Professional style for a bold statement
- ② With 49L total capacity
- ③ Intuitive, large 5" touchscreen display
- ④ With 22 functions: four microwave, 14 oven and four combination
- ⑤ A Wired Temperature Sensor precisely monitors cooking in real time
- ⑥ Guided cooking, with the option to access additional functionality via the SmartHQ™ app
- ⑦ Wi-Fi/Connected capability through the SmartHQ™ app
- ⑧ Soft open and close door

ACCESSORIES

- ① Chromed shelf runners*
- ② Glass tray*
- ③ Wire shelf*
- ④ Wired Temperature Sensor*

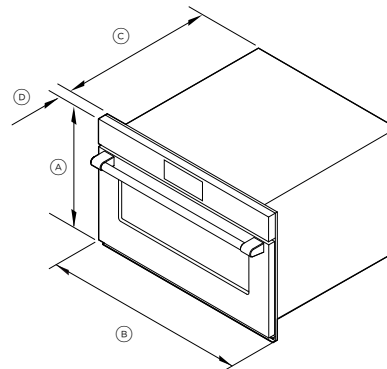
*Included with product

The models shown in this Planning Guide may not be available in all markets and are subject to change at any time. Product specifications may vary from those shown. This Planning Guide should not be used as installation guidance for any product. Further information is required to safely and correctly install the products featured here. Specific installation guidance will be available on our website fisherpaykel.com

SPECIFICATIONS

Model No.	OS76NPTX1, Combination Steam Oven OM76NPTX1, Combination Microwave Oven
Dimensions	H 458mm W 757mm D 575mm
Total Oven Capacity	
OS76NPTX1	55L
OM76NPTX1	49L
Weight	
Packaged	55kg
Unpackaged	46kg
Electrical	
Supply	220-240 V, 50 Hz
Service	20 A

PRODUCT DIMENSIONS

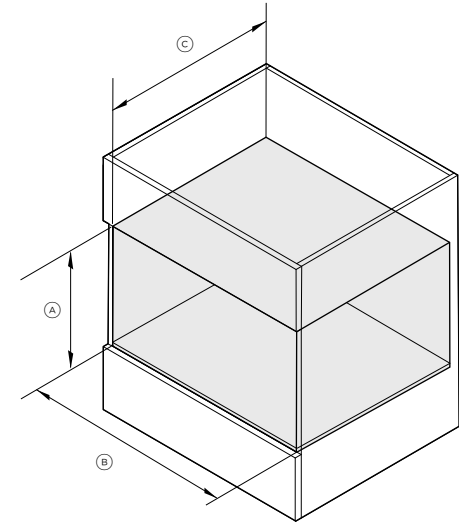


ISO VIEW

	mm
(A) Overall height	458
(B) Overall width	757
(C) Depth of chassis	545
(D) Thickness of oven front and control panel (excl. handle and dials)	30
Depth of door when fully open (measured from front of control panel)	320

Note: If installing with other professional products, consider trim front thickness.

CAVITY DIMENSIONS: STANDARD INSTALLATION



ISO VIEW

	mm
(A) Minimum inside height of cavity*	446
(B) Minimum inside width of cavity	724
(C) Minimum inside depth of cavity	
- Proud installation	550
- Flush installation	580

*6mm panel spacer is required in the base of the cavity

Note: Combination Microwave Oven requires ventilation at the rear of the cavity.



OVERVIEW

Designed to complement our Professional style oven and warming drawer, this built-in coffee maker seamlessly integrates into any kitchen design with a stylish stainless steel finish. Beautiful to use, it has an intuitive touch display with 13 different beverage options to suit individual taste and selection - from Espresso to Latte. Pair with other companion products to create a kitchen suite for every need.

PRODUCTS

EB76PSX1

Built-in Coffee Maker, 76cm, 4.3" Touchscreen, Stainless Steel

Note: The models shown in this guide may not be available in all markets and are subject to change at any time.

SERIES & STYLE

Series 9
Professional



FEATURES

- ① Part of our suite of companion products, designed to match aesthetically for flexible configurations
- ② Pairs perfectly with the Professional style 76cm Oven and Warming Drawer
- ③ Intuitive touch display for ease of use
- ④ 13 beverage options to suit individual taste and selection - from Americano to Latte
- ⑤ Favourite coffee can be memorised and set to start at the same time each day
- ⑥ Stainless steel conical burr grinder with 13 grind coarseness positions
- ⑦ Self-cleaning function, with a removable drip tray and waste container
- ⑧ 2.5L water tank capacity
- ⑨ 15 bar pump pressure
- ⑩ Adjustable coffee strength, temperature and coffee cup sizes

ACCESSORIES

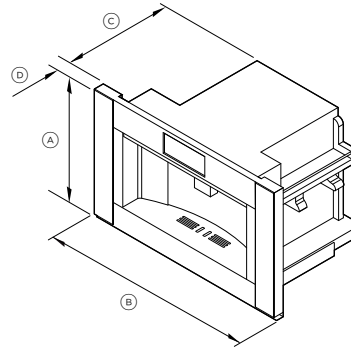
- ① Thermal milk jug*
- ② Extractable steam outlet*
- ③ Coffee spoon*
- ④ Descaling agent and water filter*

*Included with product

SPECIFICATIONS

Model No.	EB30PSX1
Dimensions	H 470mm W 757mm D 485mm
Weight	
Packaged	30kg
Electrical	
Supply	220-240 V, 50 Hz
Service	10 A

PRODUCT DIMENSIONS

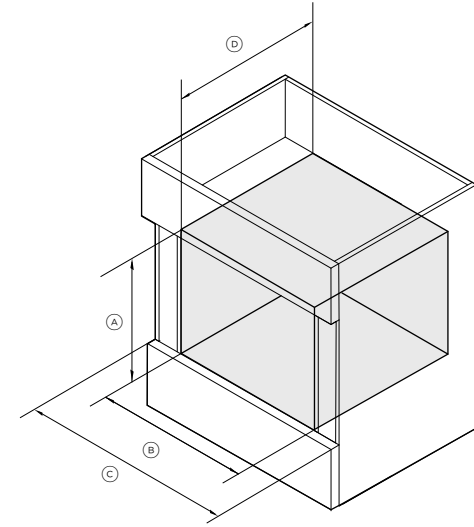


ISO VIEW

	mm
(A) Overall height	470
(B) Overall width	757
(C) Depth of chassis	445
(D) Thickness of front and control panel	40

Note: If installing with other professional products, consider trim front thickness.

CAVITY DIMENSIONS: STANDARD INSTALLATION



ISO VIEW

	mm
(A) Height of cavity**	467
(B) Minimum inside width of cavity*	560
(C) Width needed to include trim	762
(D) Minimum inside depth of cavity with trim	
- Proud installation	560
- Flush installation	600

*Cabinetry requires additional vertical sidewalls to secure the product

**A 16mm spacer must be installed in the base of the cavity, see installation guide for details

Note: Ventilation required at the rear of the cavity.



OVERVIEW

Designed to complement our Professional style kitchen appliances, this warming drawer has a brushed stainless steel handle, and is soft-close for a coherent, considered look. Beautiful to use, with capacitive touch controls and six tailored functions for warming, proofing, dehydrating and slow cook. Pair with other companion products to create a kitchen suite for every need.

PRODUCTS

WB76SPEX1
Warming Drawer, 76cm, Stainless Steel

SERIES & STYLE

Series 9
Professional

FEATURES

- ① Styled to perfectly match our Professional kitchen appliances
- ② Seamless pairing with other companion products in brushed stainless steel
- ③ Soft-close drawer
- ④ Easy-to-use capacitive touch controls
- ⑤ Automatic timing and switch-off functionality
- ⑥ Easy-to-clean, smooth-glass base
- ⑦ Room for 16 standard-sized place settings
- ⑧ Versatile with six tailored programmes for warming, proofing, dehydrating and slow cook

ACCESSORIES

- ① Accessory rack for optimising space*

*Included with product

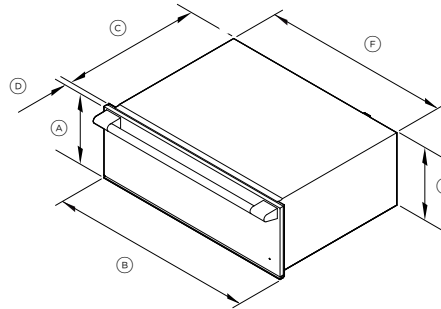


The models shown in this Planning Guide may not be available in all markets and are subject to change at any time. Product specifications may vary from those shown. This Planning Guide should not be used as installation guidance for any product. Further information is required to safely and correctly install the products featured here. Specific installation guidance will be available on our website fisherpaykel.com

SPECIFICATIONS

Model No.	WB76SPEX1
Dimensions	H 271mm W 760mm D 567mm
Weight	
Packaged	37kg
Electrical	
Supply	220-240 V, 50 Hz
Service	10 A
Connection	Flex cord
Power cord length	1800mm

PRODUCT DIMENSIONS



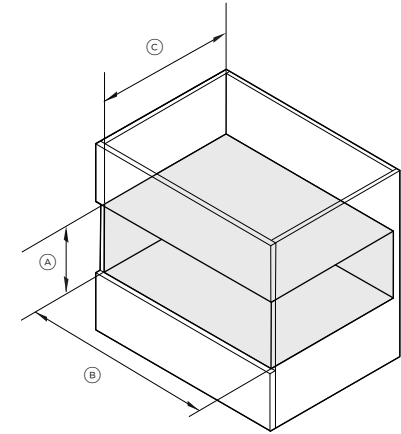
ISO VIEW

	mm
(A) Overall height	271
(B) Overall width	760
(C) Depth of chassis*	547
(D) Thickness of front panel	20
(E) Height of chassis	271
(F) Width of chassis	707

*Including power plug

Note: If installing with other professional products, consider trim front thickness.

CAVITY DIMENSIONS: STANDARD INSTALLATION



ISO VIEW

	mm
(A) Minimum inside height	273
(B) Minimum inside width	724
(C) Minimum inside depth of cavity	
- Proud installation	560
- Flush installation	580

Note: The drawer can fully support 76cm Fisher & Paykel wall oven, without adding shelf in between.

