

FISHER & PAYKEL

PRELIMINARY SPECIFICATION GUIDE

COMPACT STEAM OVEN, 60CM



OVERVIEW

With timeless Minimal styling, the compact Combination Steam Oven is designed to fit seamlessly into any kitchen. It features 18 functions, including steam-only, convection-only, or a combination of both. Reduce the need for oils and fats with five standalone steam functions, perfect for creating flavourful and healthy restaurant-quality meals at home. Beautiful to use, the intuitive interface and dial offer simple guided cooking, helping to ensure perfect results.

MODELS

Combination Steam Oven, 60cm, 18 Function

55L, Touchscreen, Dial

OS60NMLG1 (Grey), OS60NMLB1 (Black)

SERIES & STYLE

Series 7

Minimal

ACCESSORIES

- 1 Large perforated dish
- 2 Large unperforated dish
- 3 Baking tray
- 4 Roasting dish
- 5 Step down wire shelf

FEATURES

- 1 Minimal style, designed to fit flush with cabinetry
- 2 55L total capacity
- 3 Intuitive 2.4" screen with illuminated dial
- 4 18 oven functions, including five steam-only functions
- 5 Wired Temperature Sensor precisely monitors cooking in real time
- 6 Guided cooking, with the option to access additional functionality via the SmartHQ™ app*
- 7 Moisture control and even heat distribution thanks to ActiveVent and AeroTech™ technology
- 8 Motorised control panel reveals large 1.5L water tank
- 9 Soft open and close door
- 10 Wi-Fi/Connected capability*

*Selected markets and models

- 6 Wired Temperature Sensor on selected models*
- 7 Descale solution (2 sachets)
- 8 Telescopic runners
- 9 Flat wire shelf

*Selected markets and models

FISHER & PAYKEL

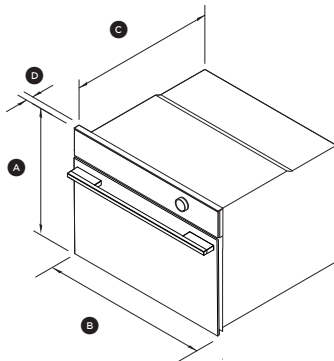
PRELIMINARY SPECIFICATION GUIDE

COMPACT STEAM OVEN, 60CM

SPECIFICATIONS

Model No.	OS60NMLG1, OS60NMLB1
Dimensions	H 458mm W 596mm D 560mm
Total capacity	55L
Weight	40kg (unpackaged) 52kg (packaged)
Electrical	
Supply	220-240VAC, 50Hz
Service	15A circuit

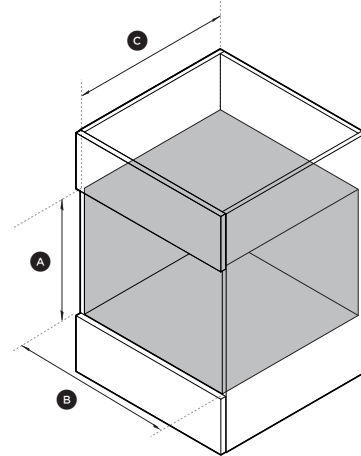
PRODUCT DIMENSIONS



ISO VIEW

	mm
Ⓐ Overall height	458
Ⓑ Overall width	596
Ⓒ Depth of chassis	545
Ⓓ Depth from front frame (excludes dial and handle)	20
Depth of oven door when fully open (measured from front of control panel)	320

CAVITY DIMENSIONS



ISO VIEW

	mm
Ⓐ Minimum inside height	440
Ⓑ Minimum inside width	560
Ⓒ Minimum inside depth	550