

# Built-In Combination Microwave Oven, 60cm

Series 9 | Contemporary

Stainless Steel

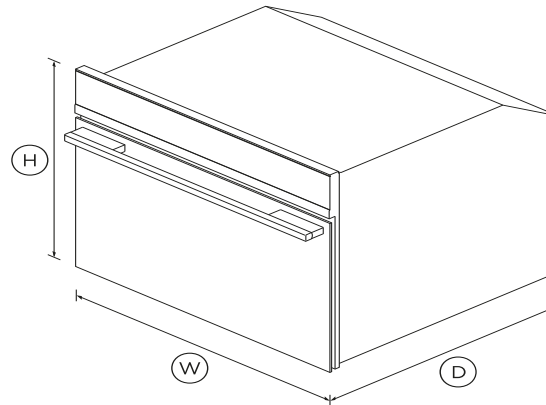


The speed of microwave cooking with the versatility of convection oven technology in a companion model, for perfect pairing.

- 37L total capacity
- 10 different auto cooking modes including Defrost , plus convection cooking or Grill
- Part of our suite of companion products, designed to match aesthetically for flexible configurations.

## DIMENSIONS

Height	458mm
Width	596mm
Depth	562mm



## FEATURES & BENEFITS

### SIZED TO SUIT

A compact 60cm width means this Microwave Oven can be placed almost anywhere - all companion products can be installed at a convenient height to suit your kitchen design and preference.

### COOKING FLEXIBILITY

Choice of nine cooking modes including Fan Forced and Grill, giving you the best of microwave and convection oven technology.

### EASY TO USE

An easy-to-use, intuitive display gives you all the information you need, including a cooking guide with nine pre-selected food cooking recipes.

### COMPLEMENTARY DESIGN

Finished in black reflective glass with a polished metal trim, this Microwave Oven is designed to match the other companion products and the rest of Fisher & Paykel's kitchen family.

### SAFE & SOUND

The CoolTouch door is safe to touch from the outside, protecting your hands and the surrounding cabinetry.

### EASY CLEANING

This Microwave Oven has formed side racks and a stainless steel interior that are easy to clean.

## SPECIFICATIONS

### Accessories

Baking pan	1
Contemporary round handle	Optional round handle
Glass turntable	1
Optional 76cm trim kit	Part 81883
Optional round handle	Part 81671
Wire shelf	1

### Capacity

Shelf positions	3
Total gross	37L

### Cleaning

Easy clean stainless steel	•
Easy to clean formed side	•

**Consumption**

Energy rating	<b>A+</b>
Microwave energy	<b>1.65kWh</b>

**Controls**

Audio feedback	•
Automatic cooking/minute	•
Celsius/Fahrenheit	•
Electronic capacitive touch	•
High resolution touch display	•
Intuitive touchscreen display	•
Multi-language interface	•
Precise electronic temperature	•
Recipe and food based	•

**Functions**

Defrost by time	•
Defrost by weight	•
Fan forced	•
Fan grill	•
Grill	•
Microwave + grill	•
Microwave + ring	•
Microwave cooking	•
Number of functions	<b>9</b>
Ring + grill	•

**Performance**

Fan Element Power	<b>1500W</b>
-------------------	--------------

Grill power	<b>1500W</b>
Microwave power	<b>900W</b>
Microwave power levels	<b>6</b>

**Power requirements**

Amperage	<b>15A</b>
Supply frequency	<b>60Hz</b>
Supply voltage	<b>220V</b>

**Product dimensions**

Depth	<b>562mm</b>
Height	<b>458mm</b>
Width	<b>596mm</b>

**Safety**

Control panel key lock	•
CoolTouch door	•

**Warranty**

Parts and labour	<b>5 years</b>
------------------	----------------

SKU	<b>82302</b>
-----	--------------

The product dimensions and specifications in this page apply to the specific product and model. Under our policy of continuous improvement, these dimensions and specifications may change at any time. You should therefore check with Fisher & Paykel's Customer Care Centre to ensure this page correctly describes the model currently available. ? Fisher & Paykel Appliances Ltd 2020

**Other product downloads available at fisherpaykel.com**

- [↓](#) Service & Warranty
- [↓](#) User Guide
- [↓](#) Installation Guide
- [↓](#) Installation Guide - Cavity Trim Kit
- [↓](#) Data Sheet Combination Microwave Oven

**A PEACE OF MIND SALE****24 Hours 7 Days a Week Customer Support****T 08000 886 605 Wwww.fisherpaykel.com**