

FISHER & PAYKEL

PRELIMINARY SPECIFICATION GUIDE

STEAM OVEN, 60CM



OVERVIEW

Experience the precise control, repeatability and certainty of steam with our flagship Combination Steam Oven. Harnessing all the advantages of AeroTech™ technology, the oven features 23 functions, including steam-only, convection-only, or a combination of both. A Wireless Temperature Sensor* precisely monitors food in real time, while the intuitive interface and dial offer simple guided cooking, helping to ensure perfect results.

*Selected markets and models

MODELS

Combination Steam Oven, 60cm, 23 Function

85L, Self-cleaning, Stainless steel, Touchscreen, Dial
OS60SDLX1

SERIES & STYLE

Series 11
Contemporary

ACCESSORIES

- ① Roasting dish
- ② Grill rack
- ③ Step down wire shelf
- ④ Full extension sliding shelves
- ⑤ Large perforated pan

FEATURES

- ① Contemporary style, designed to fit flush with cabinetry
- ② Generous 85L total capacity with six shelf positions
- ③ Intuitive 2.4" screen with illuminated dial
- ④ 23 oven functions including six steam-only functions
- ⑤ Moisture control and even heat distribution thanks to ActiveVent and AeroTech™ technology
- ⑥ Guided cooking, with the option to access additional functionality via the SmartHQ™ app*
- ⑦ Wireless Temperature Sensor precisely monitors cooking in real time*
- ⑧ Water tank capacity of 1.5L
- ⑨ Wi-Fi/Connected capability*

*Selected markets and models

- ⑤ Small perforated dish
- ⑦ Large unperforated dish
- ⑧ Baking tray
- ⑨ Wireless Temperature Sensor*
- ⑩ Grill grid

*Selected markets and models

FISHER & PAYKEL

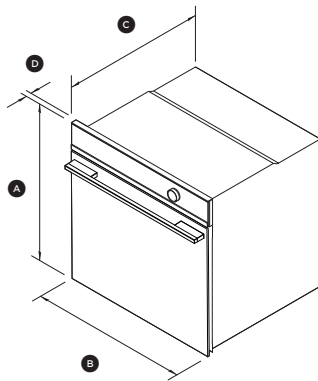
PRELIMINARY SPECIFICATION GUIDE

STEAM OVEN, 60CM

SPECIFICATIONS

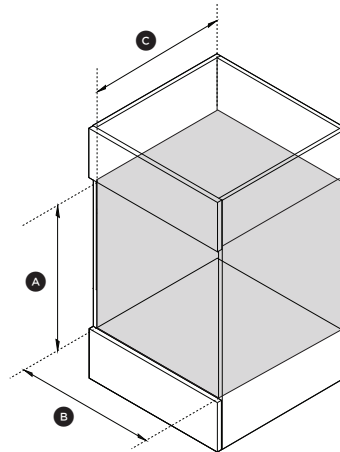
Model No.	OS60SDLX1
Dimensions	H 598mm W 596mm D 565mm
Total capacity	85L
Weight	50kg (unpackaged) 65kg (packaged)
Electrical	
Supply	220-240VAC, 50Hz
Service	15A circuit

PRODUCT DIMENSIONS



ISO VIEW

CAVITY DIMENSIONS



ISO VIEW

	mm
Ⓐ Overall height	598
Ⓑ Overall width	596
Ⓒ Depth of chassis	545
Ⓓ Depth from front frame (excludes dial and handle)	20
Depth of oven door when fully open (measured from front of control panel)	460

	mm
Ⓐ Minimum inside height	580
Ⓑ Minimum inside width	560
Ⓒ Minimum inside depth	550