

Induction Range, 30", 4 Zones with SmartZone, Self-cleaning

Series 9 | Professional

Stainless Steel

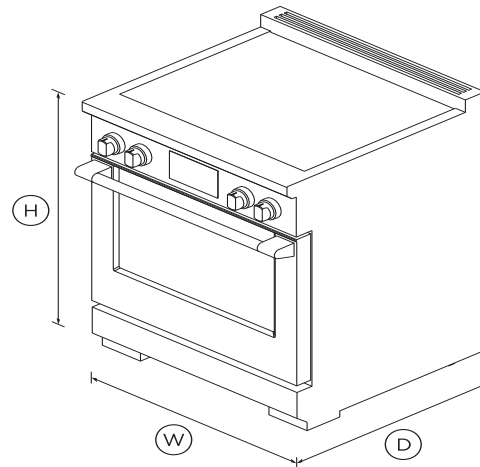


With intuitive touchscreen, induction cooktop and a convection oven with 15 functions, cooking on this refined range is a joy.

- Guided cooking using your touchscreen makes it simple to cook by food, function or recipe.
- Ability to pair two of the four induction cook zones to create a large SmartZone
- 4 cu ft total oven capacity
- Beautiful LED halo-illuminated dials provide information at a glance

DIMENSIONS

Height	35 ³ / ₄ - 36 ³ / ₄ "
Width	29 ⁷ / ₈ "
Depth	29 ¹ / ₈ "



FEATURES & BENEFITS

Cook with confidence

Our touchscreen interface provides an intuitive guided cooking experience that helps deliver perfect results, whether you've been cooking all your life or just starting out. Cook with a favorite method, a hero ingredient, or a go-to cooking function or recipe. The screen tilts for improved ergonomics and optimal visibility while cooking.

Generous capacity

Featuring a generous total capacity of 4 cu ft, with enough room

to fit a 26 lb turkey, or to cook several dishes at once.

Cooking flexibility

No matter what you're cooking, you've got the right heat to get perfect results. Each of the 15 oven functions have been extensively researched and carefully designed to cater to a broad range of dishes and cooking styles. The handy food probe helps you monitor your progress.

Cooktop power

Instant and immediate control from the highest to the gentlest heat. The finely tuned cooktop controls let you sear, stir fry or simmer to perfection. Since most of the heat generated by the cooktop is transferred into cookware, induction offers an energy-efficient cooking option.

Design quality

This range has craftsmanship in every detail, with real stainless steel, high-quality glass, and beautifully weighted, halo illuminated dials. Each cavity features incandescent lights and full extension telescopic racks. From the robust legs to the powerful cooktop, this Range is built to last.

Easy to clean

The oven features a self-cleaning function and self-clean proof side racks, which don't need to be removed when using this function. The durable induction cooktop surface only needs a quick wipe after use to keep it clean.

SPECIFICATIONS

Accessories

Square handle option AH-R30

Cleaning

Pyrolytic self-clean •

Controls

High resolution display •

Oven features

Broil pan •
 Concealed element •
 Electronic oven control •
 Full extension telescopic 2
 Internal light •
 Pyrolytic self-clean •
 True convection •

Oven functions

Pyrolytic self-clean •

Oven performance

Main Oven Shelf Positions 5
 Main Oven Usable Capacity 3.3cu ft

Power requirements

Supply frequency 60Hz
 Supply voltage 120 - 240

Product dimensions

Depth 29 1/8"
 Height 35 3/4"-36 3/4"
 Width 29 7/8"

Rangetop features

Gentle heat 3 settings (111°F, 158°F, 201°F)
 Heat settings 9

Induction cooking technology •
 PowerBoost •
 PowerBoost all zones up to 3700W
 SmartZone •
 Zone bridging •

Rangetop Performance

Left front zone rating 1400W
 Left rear zone rating 2600W
 PowerBoost all zones up to 3700W
 Right front zone rating 2100W
 Right rear zone rating 2100W

Safety

Pan detection system •
 Safety time out •
 Surface hot indicators •

Warranty

Parts and labor Limited 2 Years Parts & Labor

SKU 81893

The product dimensions and specifications in this page apply to the specific product and model. Under our policy of continuous improvement, these dimensions and specifications may change at any time. You should therefore check with Fisher & Paykel's Customer Care Centre to ensure this page correctly describes the model currently available. © Fisher & Paykel Appliances Ltd 2019.

Other product downloads available at fisherpaykel.com

- [↓](#) User Guide
- [↓](#) Guide D'Utilisation
- [↓](#) Service & Warranty Booklet
- [↓](#) Installation Guide
- [↓](#) Guide D'Installation



A PEACE OF MIND SALE

24 Hours 7 Days a Week Customer Support

T 1300 650 590 W www.fisherpaykel.com