

60cm Series 9 Minimal Handleless Compact Combi-Microwave Oven

Minimal



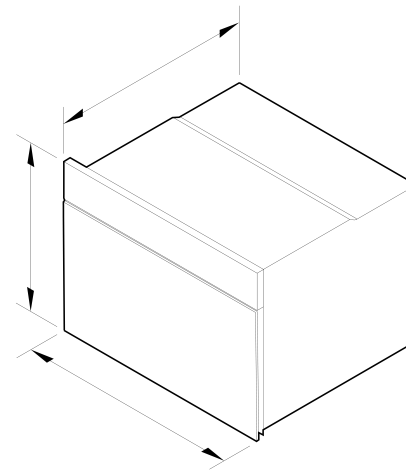
Combine microwave speed with convection versatility in a compact model. Its sleek handleless design ensures a perfect pairing with your kitchen aesthetic.

- Handleless oven design ensures smooth, uninterrupted lines in your kitchen cabinetry for a cohesive look
- Combi microwave versatility for quick, even heating across a variety of dishes, ensuring perfect interior cooking with crisp exteriors
- Generous 49L capacity, with four shelf positions

- A Wired Temperature Sensor precisely monitors cooking in real time

DIMENSIONS

Height	458 mm
Width	596 mm
Depth	565 mm



FEATURES & BENEFITS

Handleless Design

Effortlessly open and close your oven with a gentle press of a button, ensuring convenience and smooth operation in the kitchen. Moving away from traditional oven doors, this model is an ideal match for kitchens with a continuous, handle-free design, ensuring a seamless flow across the cabinetry.

Cooking Flexibility

Select from 22 functions: four dedicated to microwave-only, 14 designed for traditional oven cooking, and four combination functions that harness the best of both microwave and convection oven technology.

Cook With Confidence

The 5" screen provides an intuitive guided cooking experience that helps to deliver perfect results, whether you've been cooking all your life or are just starting out.

Sized To Suit

The compact height of this microwave oven allows for versatile placement. All our companion products can be installed at a convenient height to suit your kitchen design and preference.

Safe And Sound

The CoolTouch door is safe to touch from the outside, protecting your hands and the surrounding cabinetry.

Complementary Design

With a sleek black glass finish, this Minimal style oven blends seamlessly, enhancing your kitchen design without dominating it. It's understated and elegant, whether on its own or as part of a matching appliance set.

SPECIFICATIONS

Accessories (included)

Chromed shelf runners	•
Glass tray	1
Grill rack	1 set
Step down wire shelf	1
Wire shelf	1
Wired temperature sensor	1

Capacity	
Shelf positions	4
Total capacity	49 L
Usable capacity	38 L

- Soft close doors
- Temperature sensor
- Touch control glass interface
- True convection oven

- ActiveVent™ system
- Grill power **3000 W**
- Microwave power **900 W**

Cleaning	
Acid resistant graphite enamel	•
Drying cycle	•
Easy to clean interior	•
Removable side ladders	•

- | | |
|------------------------------|---|
| Functions | |
| Air fry | • |
| Bake | • |
| Defrost | • |
| Dehydrate | • |
| Fan bake | • |
| Fan forced | • |
| Fan forced + microwave | • |
| Fan grill | • |
| Fan grill + Micro (2 levels) | • |
| Grill | • |
| Grill + Micro (2 levels) | • |
| Microwave cooking | • |
| Pastry Bake | • |
| Pizza bake | • |
| Popcorn | • |
| Quick start | • |
| Rapid proof | • |
| Roast | • |
| Roast + Micro (2 levels) | • |
| Slow cook | • |
| Vent bake | • |
| Warm | • |

Power requirements	
Amperage	16 A
Supply frequency	50 Hz
Supply voltage	220-240 V

Controls	
Adjustable audio and display settings	•
Audio feedback	•
Automatic cooking/minute timer	•
Automatic pre-set temperatures	•
Celsius/Fahrenheit temperature	•
Certified Sabbath mode	•
Delay start	•
Electronic capacitive touch controls	•
Electronic clock	•
Electronic oven control	•
Guided cooking by food type and recipes	•
Halogen lights	•
Handle-free design	•
Intuitive touchscreen display	•
Microwave timer	•
Multi-language display	true
Smart appliance	•

Product dimensions	
Depth	565 mm
Height	458 mm
Width	596 mm

SKU **82646**

The product dimensions and specifications in this page apply to the specific product and model. Under our policy of continuous improvement, these dimensions and specifications may change at any time. You should therefore check with Fisher & Paykel's Customer Care Centre to ensure this page correctly describes the model currently available. © Fisher & Paykel Appliances Ltd 2020

Other product downloads available at fisherpaykel.com

- [↓](#) DWG
- [↓](#) DXF
- [↓](#) Installation Guide (English)
- [↓](#) Planning Guide - Handleless Ovens and Companions (English)

Performance

- [↓](#) Revit
- [↓](#) Rhino
- [↓](#) SketchUp
- [↓](#) User Guide (English)

Where applicable:

All appliances use energy, and energy usage typically generates carbon emissions. **Fisher & Paykel Appliances' In-use Energy Carbon Emissions Estimate** indicates carbon emissions from a product's in-use energy. This is calculated either annually or per cycle, using the product's market-specific energy label energy consumption data multiplied by the carbon emissions factor for energy in your country or region.

Our In-use Energy Carbon Emissions Estimate is designed to assist customers in making informed purchasing decisions when comparing different Fisher & Paykel products. For example, a heat pump dryer typically has a lower In-use Energy Carbon Emissions Estimate than a vented dryer.



A PEACE OF MIND SALE
24 Hours 7 Days a Week Customer Support
T 0800 372 273 W www.fisherpaykel.com