

Combination Microwave Oven, 60cm, 19 Function

Series 7 | Contemporary

Stainless Steel

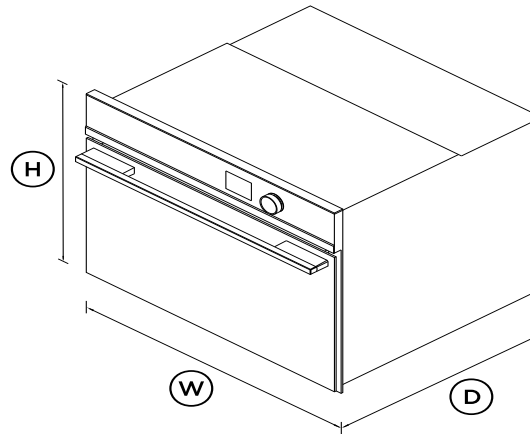


The speed of microwave cooking with the versatility of convection oven technology in a compact companion model.

- Compact size, and generous 49L capacity with four shelf positions
- Intuitive, 2.4" display with illuminated dial
- Wi-Fi enabled and works with the SmartHQ™ app for remote control and notifications

DIMENSIONS

Height	458mm
Width	596mm
Depth	565mm



FEATURES & BENEFITS

Cooking Flexibility

Choose from 19 cooking modes including Fan Forced and Grill. With both microwave and convection oven technology in the same oven, you have more flexibility for your culinary creations.

Sized to suit

A compact 60cm width means this microwave oven can be placed almost anywhere – all companion products can be installed at a convenient height to suit your kitchen design and preference.

Easy to use

The intuitive display shows you all the information you need, allowing you to easily program in your desired cooking mode and duration.

Complementary design

Finished in a stylish stainless steel, our Contemporary style companion products help you achieve a coherent kitchen aesthetic that suits your design style.

Easy Cleaning

This Combination Microwave Oven has formed side racks and a stainless steel interior for easy cleaning.

Safe And Sound

The CoolTouch door is safe to touch from the outside, protecting your hands and the surrounding cabinetry.

SPECIFICATIONS

Accessories

Chromed shelf runners	•
Glass tray	1
Grill rack	1 set
Step down wire shelf	1
Wire shelf	1

Capacity

Shelf positions	4
Total capacity	49L
Usable capacity	38L

Controls

Adjustable audio and display	•
Audio feedback	•

- Automatic cooking/minute
- Automatic pre-set
- Celsius/Fahrenheit
- Delay start
- Electronic clock
- Electronic oven control
- Halogen lights
- Microwave timer
- Multi-language display **UK English, US English,**
- Sabbath mode with Mehadrin
- Soft close doors
- Turned stainless steel dials
- Wi-Fi connectivity

- Popcorn
- Quick start
- Roast
- Roast + Micro (3 levels)
- Slow cook
- Vent bake

- Balanced oven door
- Control panel key lock
- CoolTouch door
- Non-tip shelves
- Safety thermostat

Performance

- ActiveVent™ system
- AeroTech™ technology
- Automatic rapid pre-heat
- Automatic sensor cooking
- Grill power **3000W**
- Microwave power **900W**
- Microwave power levels **6**
- Temperature range **35 - 230°**
- Whisper quiet cooking

Power requirements

- Amperage **16A**
- Supply frequency **50Hz**
- Supply voltage **220-240V**

Product dimensions

- Depth **565mm**
- Height **458mm**
- Width **596mm**

Safety

- ADA compliant

Functions

- Air fry
- Bake
- Defrost
- Fan bake
- Fan forced
- Fan forced + Micro (3 levels)
- Fan grill
- Fan grill + Micro (3 levels)
- Grill
- Grill + Micro (3 levels)
- Microwave + grill
- Microwave cooking
- Number of functions **19**
- Pastry Bake
- Pizza bake

Warranty

Parts and labour **2 years**

SKU **82703**

The product dimensions and specifications in this page apply to the specific product and model. Under our policy of continuous improvement, these dimensions and specifications may change at any time. You should therefore check with Fisher & Paykel's Customer Care Centre to ensure this page correctly describes the model currently available. Fisher & Paykel Appliances Ltd 2020

Where applicable:

All appliances use energy, and energy usage typically generates carbon emissions. **Fisher & Paykel Appliances' In-use Energy Carbon Emissions Estimate** indicates carbon emissions from a product's in-use energy. This is calculated either annually or per cycle, using the product's market-specific energy label energy consumption data multiplied by the carbon emissions factor for energy in your country or region.

Our In-use Energy Carbon Emissions Estimate is designed to assist customers in making informed purchasing decisions when comparing different Fisher & Paykel products. For example, a heat pump dryer typically has a lower In-use Energy Carbon Emissions Estimate than a vented dryer.



A PEACE OF MIND SALE

24 Hours 7 Days a Week Customer Support

T 1300 650 590 W www.fisherpaykel.com