

10kg Series 5 Contemporary Heat Pump Dryer, Woolmark Black

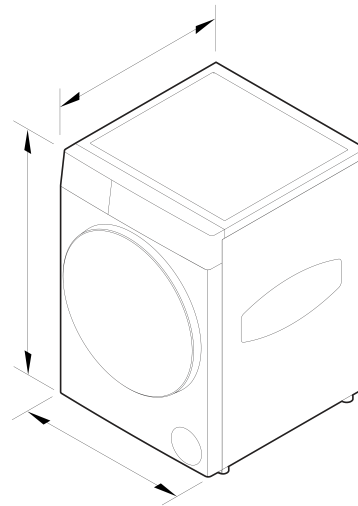


A Heat Pump Dryer with all the essentials, in a clean and considered design. Simple controls that stay discreet when not in use and added flexibility bring ease and convenience to everyday life.

- Gentle care for 6 fibre types, including Mixed loads and Down
- Wide temperature range for ideal drying conditions
- Woolmark Black certified for machine-washable woollens
- Connect SmartHQ™ for notifications, guides and extra functions

DIMENSIONS

Height	850 mm
Width	602 mm
Depth	682 mm



FEATURES & BENEFITS

ESSENTIAL CARE FOR EVERYDAY

Fisher & Paykel Series 5 Dryers deliver fabric care you know and trust, now made smarter with a display that stays discreet when not in use. Gentle Heat Pump technology dries at lower temperatures to protect fibres and reduce energy use. Each fibre's molecular structure affects how moisture evaporates, so Fibre-Led cycles including Down, Elastane, and Woolmark Black certified Wool are fine-tuned to the ideal temperature and duration, helping preserve softness, shape and extend the life of your garments.

HEAT PUMP TECHNOLOGY

Heat Pump technology combines advanced temperature control and moisture sensing for gentle, energy-efficient drying. Now with a temperature range four times greater than our previous technology, cycles are finely tuned to the natural moisture of different fibres, drying them to their ideal state while balancing care and efficiency. By calibrating temperature and duration to each fibre, it prevents over-drying of synthetics like Elastane, preserving stretch and shape, while maintaining the softness and structure of natural fibres.

STEAM REFRESH

Gently refresh Elastane garments, like fitted T-shirts or activewear, with Steam Refresh. Steam encourages the fibres' internal structure to relax, helping the garment regain its shape after wear or stretching. Out of the dryer, your garment is dry, refreshed and ready to wear.

ANTI-TANGLE TECHNOLOGY

TangleProtect keeps garments moving freely throughout the cycle, with alternating drum motion that prevents twisting and clumping for even drying. For delicate Down fibres, the full-reversing drum gently fluffs and separates the filling for even drying, preventing damage and helping jackets and duvets retain their loft and shape.

GENTLE DRYING FOR WOOL

Machine-washable Wool garments can be safely dried without shrinking or stretching with Woolmark Black certified cycles. Wool's protein fibres are delicate when wet, and heat can easily alter their natural structure. Finely controlled temperature and airflow preserve softness, shape, and fit, so sweaters emerge perfectly cared for and ready to wear.

TAILORED ITEM TYPES

We recognise that Sheets and Towels have unique needs. Dedicated Item Types dry Sheets evenly without tangling and keep Towels soft, warm and fully dry. By drying to the perfect level, Cotton Towels and Sheets maintain their natural strength and soft texture.

DESIGNED TO MATCH

Our most perfect pair yet, reimagined for modern living. Designed to complement one another in both form and function, our Front Loader Washers and Heat Pump Dryers feature refined materials, large doors and complementary cycles that work in harmony to care for every fibre. An angled interface that stays discreet when not in use, and a newly positioned lint filter on the dryer creates a seamless fabric care experience that's elevated beyond the utility space.

SPECIFICATIONS

Accessories (included)

- Drying rack

Capacity

Total capacity **10 kg**

Connected Features

- Alerts and notifications
- Cyber security updates until **12 / 09 / 2029**
- Education and onboarding
- Monitoring
- Remote operation
- Software updates

Consumption

Energy rating **9 star**
Energy usage **142kWh/year**

Controls

Beeps on/off function •
Interface type **LED touch display**

Features

Child/Keylock •
Clean condenser filter reminder •
Clean door lint filter reminder •
Crease Free •
Drain Hose •
Drum light •
Easy access lint filter •
Easy clean condenser filter •
End of cycle signal •
Favourite cycle **Multiple**
Front and back levelling feet •
No external venting •
Removable water tank •
Reversible door •
Smart appliance •
Stainless steel drum •
Water tank full indicator •
Woolmark certified **Woolmark Black**

Performance

Auto sensing •
Compressor type **Fixed speed**
Delay start •
Dryness settings **4**
Heat pump technology •
Refrigerant type **R290**
Reverse tumbling **Full reverse tumbling**
TangleProtect •
Time dry •

Product dimensions

Depth **682 mm**
Height **850 mm**
Width **602 mm**

SKU **93306**

The product dimensions and specifications in this page apply to the specific product and model. Under our policy of continuous improvement, these dimensions and specifications may change at any time. You should therefore check with Fisher & Paykel's Customer Care Centre to ensure this page correctly describes the model currently available. © Fisher & Paykel Appliances Ltd 2020

Other product downloads available at fisherpaykel.com

- [↓](#) Energy Label
- [↓](#) Installation Guide - Dryer (English)

- ↓ Installation Guide - Side by Side (English)
- ↓ Installation Guide - Stacked (English)
- ↓ Planning Guide (English)
- ↓ Revit
- ↓ Introducing Fabric Care Solutions (English)
- ↓ User Guide (English)

Where applicable:

All appliances use energy, and energy usage typically generates carbon emissions. **Fisher & Paykel Appliances' In-use Energy Carbon Emissions Estimate** indicates carbon emissions from a product's in-use energy. This is calculated either annually or per cycle, using the product's market-specific energy label energy consumption data multiplied by the carbon emissions factor for energy in your country or region.

Our In-use Energy Carbon Emissions Estimate is designed to assist customers in making informed purchasing decisions when comparing different Fisher & Paykel products. For example, a heat pump dryer typically has a lower In-use Energy Carbon Emissions Estimate than a vented dryer.



A PEACE OF MIND SALE
24 Hours 7 Days a Week Customer Support
T 1300 650 590 W www.fisherpaykel.com