

# Dual Fuel Range, 48", 8 Burners

Series 9 | Professional

Stainless Steel | Natural gas

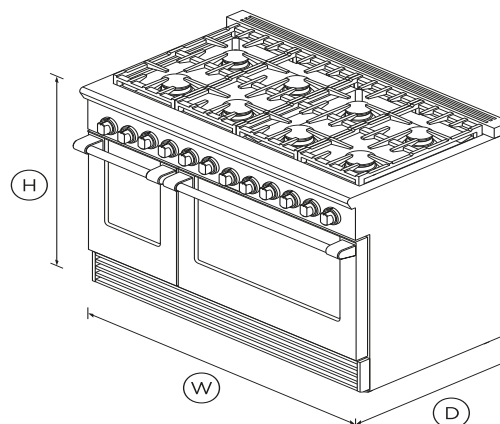


A striking addition to your kitchen, with eight high powered gas burners and two ovens with a combined capacity of 6.9 cu ft.

- Top burner heat of 23,500 BTU, for seriously fast boiling
- 6.9 cu ft total oven capacity across two oven cavities
- Non-tip full-extension shelves in main cavity for safe removal of hot dishes

## DIMENSIONS

Height	35 3/4 - 36 3/4"
Width	47 7/8"
Depth	29 1/8"



## FEATURES & BENEFITS

### Cooktop power

Sealed Dual Flow Burners™ deliver cooktop power up to 23,500 BTU (NG models) for seriously fast boiling right down to a precise 140°F full surface simmer with the gentlest of flames.

### Total control

Precise control across high and low settings is delivered through the halo-illuminated cooktop dials. The ovens have true convection and electronic oven control for precise and consistent temperatures.

### Consistent broiling

The Dual Fuel Range broiler provides an even heat that covers a very large surface area — perfect for browning a fully loaded oven tray.

### Easy to clean

The Dual Fuel Range oven has a self-cleaning function and removable side racks. The cooktop has sealed burners and an encapsulated cooking surface with a commercial-style stainless steel finish.

### Instant visibility

Control dials have halo-illumination glowing white – heating up; orange – temperature reached; red – self-cleaning mode. The oven is illuminated by two powerful incandescent lights.

### Cooking flexibility

The cooktop is designed for easy access to any burner with grates you can smoothly slide pots across. The oven is large enough to hold full size baking sheets.

## SPECIFICATIONS

### Accessories

Square handle option	AH-R48
----------------------	--------

### Capacity

Capacity total (AHAM)	4.8cu ft
Capacity usable (AHAM)	3.8cu ft
Shelf positions	5
Shelf positions	5

### Cleaning

Dishwasher proof trivets	•
Pyrolytic self-clean	•

---

<b>Controls</b>	
Electric circuit	<b>4 wire</b>
Metal illuminated dials	•

---

<b>Gas Requirements</b>	
Fitting and pipe	<b>½ NPT, min. 5/8" flex line</b>

---

<b>Installation Dimensions</b>	
Height (excluding vent trim)	<b>35 3/4 - 36 3/4"</b>

---

<b>Oven features</b>	
Full extension telescopic	•
True convection	•

---

<b>Oven functions</b>	
True convection	•

---

<b>Oven performance</b>	
Bake	•
Bake	<b>4600 BTU</b>
Bake power	<b>4600</b>
Broil	<b>3600W</b>
Main oven - True convection	<b>2500W</b>

---

<b>Power requirements</b>	
Rated current	<b>50A</b>
Supply frequency	<b>60Hz</b>

---

**Product dimensions**

Depth	<b>29 1/8"</b>
Height	<b>35 3/4 - 36 3/4"</b>
Width	<b>47 7/8"</b>

---

**Rangetop features**

Sealed Dual Flow Burners™	<b>8</b>
Sealed range top	•
Vent trim included	•

---

**Rangetop Performance**

Power back centre	<b>18500 BTU</b>
Power back centre (2)	<b>18500 BTU</b>
Power back left	<b>18500 BTU</b>
Power back right	<b>18500 BTU</b>
Power front centre (2)	<b>18500 BTU</b>
Power front right	<b>23500 BTU</b>

---

**Safety**

Full extension telescopic	•
---------------------------	---

---

**Secondary oven features**

Broil	•
Concealed element	•
Electronic oven control	•
Internal light	•

---

**Secondary oven functions**

Bake	•
Number of secondary oven	<b>3</b>
Proof	•

---

SKU	<b>71366</b>
-----	--------------

---

TEST The product dimensions and specifications in this page apply to the specific product and model. Under our policy of continuous improvement, these dimensions and specifications may change at any time. You should therefore check with Fisher & Paykel's Customer Care Centre to ensure this page correctly describes the model currently available. ? Fisher & Paykel Appliances Ltd 2020

---

Other product downloads available at [fisherpaykel.com](http://fisherpaykel.com)

- [↓](#) User Guide
- [↓](#) Guide D'Utilisation
- [↓](#) Installation Guide
- [↓](#) Guide D'Installation
- [↓](#) Data Sheet Dual Fuel Range
- [↓](#) Planning Guide Dual Fuel Range



**A PEACE OF MIND SALE**

24 Hours 7 Days a Week Customer Support

T 1.888.936.7872 **W** [www.fisherpaykel.com](http://www.fisherpaykel.com)