

FISHER & PAYKEL

DOUBLE DISHDRAWER™ DISHWASHER

CONTEMPORARY

DD60DAW9, DD60DAX9, DD60DCW9, DD60DCX9, DD60DDFB9, DD60DDFX9
DD60DDFHX9, DD60DDFHB9, DD60DCHX9

INSTALLATION GUIDE

NZ AU UK IE

⚠ WARNING!

Electric Shock Hazard

Failure to follow this advice may result in electrical shock or death.

- Before installing the DishDrawer, remove the house fuse or open the circuit breaker.
- This appliance must be earthed. In the event of a malfunction or breakdown, earthing will reduce the risk of electric shock by providing a path of least resistance for electric current. This appliance is equipped with a cord having an equipment-earthing conductor and an earthing plug.
- The plug must be plugged into an appropriate outlet that is installed and earthed in accordance with all local codes and ordinances.
- **WARNING** - Improper connection of the equipment-earthing conductor can result in a risk of electric shock. Check with a qualified electrician or service representative if you are in doubt as to whether the appliance is properly earthed.
- Do not modify the power supply plug provided with the appliance - if it will not fit the outlet, have a proper outlet installed by a qualified electrician. Do not use an extension cord, adapter plug or multiple outlet box.



⚠ WARNING!

Cut Hazard

Failure to use caution could result in injury.

- Take care - panel edges are sharp.



⚠ WARNING!

Tip Hazard

Failure to follow this advice may result in injury or product damage.

- Take care when removing product from packaging.
- If drawers are pulled open while product is not secured to cabinetry, product may tip.



WARNING!

To reduce the risk of fire, injury to persons or damage when using the appliance, follow the important safety instructions listed below. Read all the guidance before using the appliance.

Servicing

- Do not repair or replace any part of the appliance unless specifically recommended in this guide. All other servicing should be undertaken by a Fisher & Paykel trained and supported service technician or qualified person.

Installation

- Installation of this DishDrawer requires basic mechanical and electrical skills.
- Installation must comply with your local building and electricity regulations.
- Remove all packaging materials supplied with the dishwasher.
- Be sure to leave these Instructions with the Customer.
- At the completion of the installation, the Installer must perform the Final Checklist.
- This dishwasher is manufactured for indoor use only.
- Ensure all water connections are turned OFF. It is the responsibility of the plumber and electrician to ensure that each installation complies with all Codes and Regulations.
- The DishDrawer **MUST** be installed to allow for future removal from the enclosure if service is required.
- The switched power outlet must be outside the dishwasher cavity, so that it is accessible after installation.
- Care should be taken when the appliance is installed or removed to reduce the likelihood of damage to the power supply cord and hoses.
- If the DishDrawer is relocated from one installation site to another it must be kept upright to avoid damage from water spillage.
- Ensure only supplied hoses are used for connection. Old hoses should not be reused.
- Failure to install correctly could invalidate any warranty or liability claims.
- If the product is installed in a motor vehicle, boat or similar mobile facility, you must bring the vehicle, boat or mobile facility containing the product to the service shop at your expense or pay the service technician's travel to the location of the product.

SAVE THESE INSTRUCTIONS

The models shown in this installation guide may not be available in all markets and are subject to change at any time. For current details about model and specification availability in your country, please go to our website www.fisherpaykel.com or contact your local Fisher & Paykel dealer.

TOOLS AND COMPONENTS

PARTS SUPPLIED

- Keep all packing materials until the unit has been inspected.
- Inspect the product to ensure there is no shipping damage. If any damage is detected contact the dealer or retailer you bought the product from to report the damage.
- Fisher & Paykel is not responsible for shipping damage.

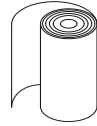
Supplied



Side mounting bracket kits (2)*



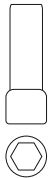
Top mounting bracket kit (1)*



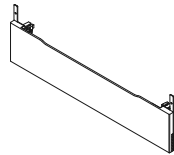
Moisture protection tape (1)



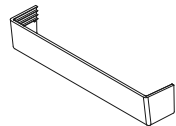
16mm Phillips screws (9)



Hexagonal socket kit (1)



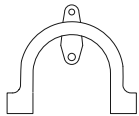
Pre-finished toe kick kit (1)****



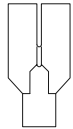
Pre-finished toe kick kit (1)***



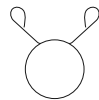
Rubber washer (1)**



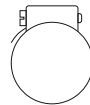
Drain hose support (1)



Drain hose joiner (1)



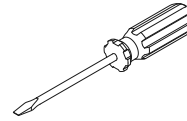
Wire clips (2)



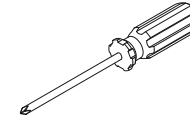
Clamp (1)

TOOLS REQUIRED

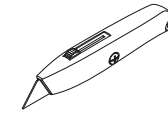
Not supplied



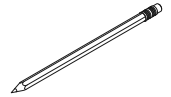
Flat-blade screwdriver



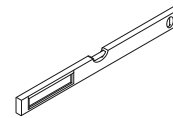
Cross-head screwdriver



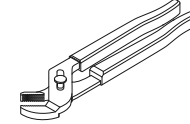
Box cutter



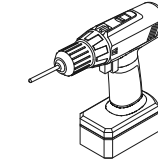
Pencil



Level



Pliers



Powered driver

INSTALL VIDEO

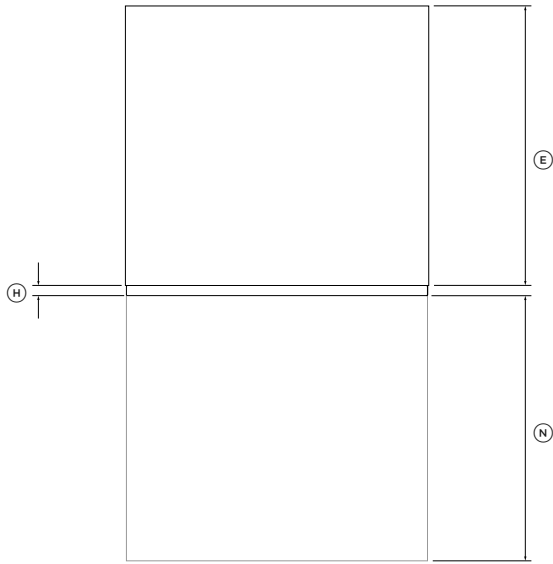
This video provides an overview of what is needed to install a DishDrawer™ Dishwasher. It is intended as an overview only of the installation process and is not intended to be used as a standalone guide on how to install a DishDrawer™ Dishwasher yourself. Installation should be undertaken by a Fisher & Paykel trained and supported service technician or qualified person.



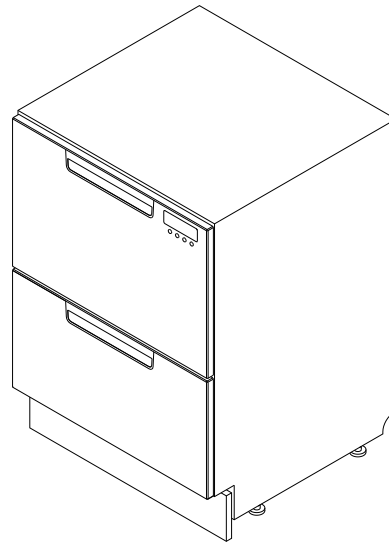
To access installation videos

Scan the QR code with your smartphone or watch online at:
fisherpaykel.com/dishdrawer-install

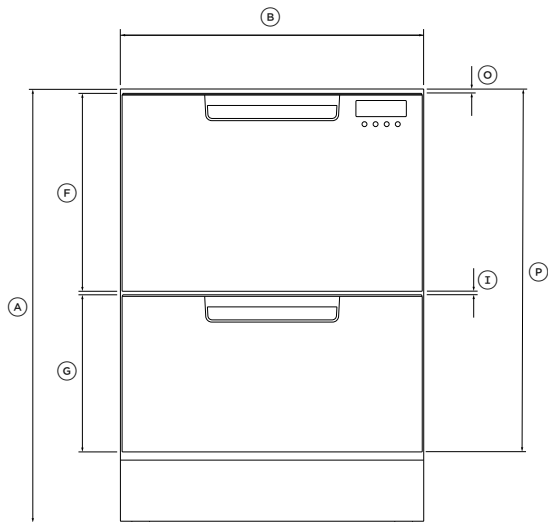
PRODUCT DIMENSIONS - DD60DC MODELS



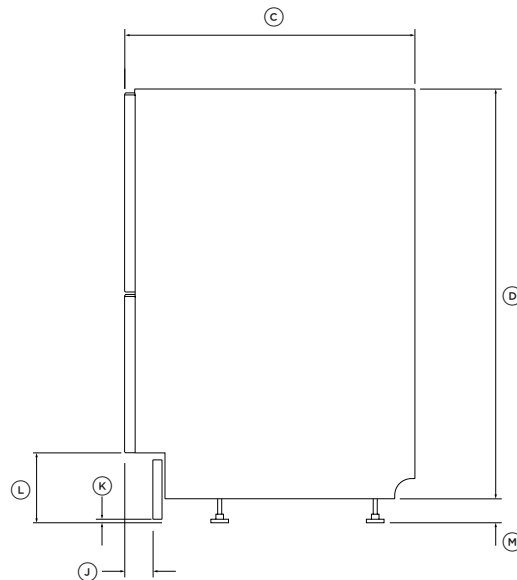
PLAN



ISOMETRIC



FRONT



PROFILE

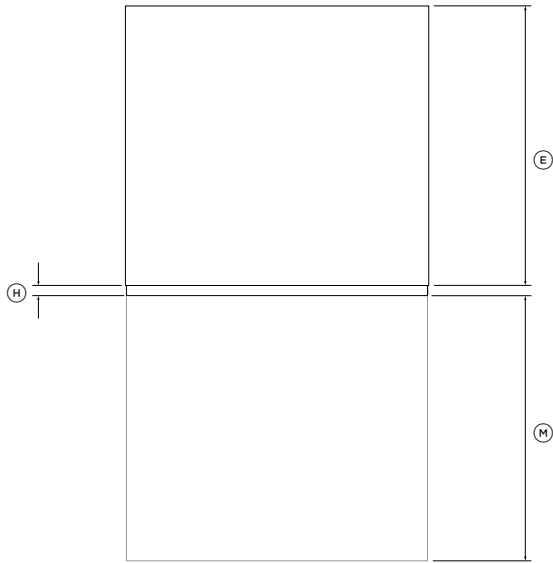
PRODUCT DIMENSIONS	DD60DC MM
Ⓐ Overall height*	820-880
Ⓑ Overall width	599
Ⓒ Overall depth	573
Ⓓ Height of chassis	811
Ⓔ Depth of chassis	553
Ⓕ Height of upper door panel	393
Ⓖ Height of lower door panel	312
Ⓗ Depth of door panel	20
Ⓘ Ventilation gap between door panels	7
Ⓙ Depth of toe kick recess**	38-54
Ⓚ Minimum clearance between toe kick panel and floor	12
Ⓛ Height from base of door to floor*	100-160
Ⓜ Height of feet*	9-69
Ⓝ Max. drawer extension from drawer front	547
Ⓞ Height from top of drawer panel to top of chassis	8
Ⓟ Height from top of chassis to bottom of lower drawer panel	720

*depending on adjustment of levelling feet

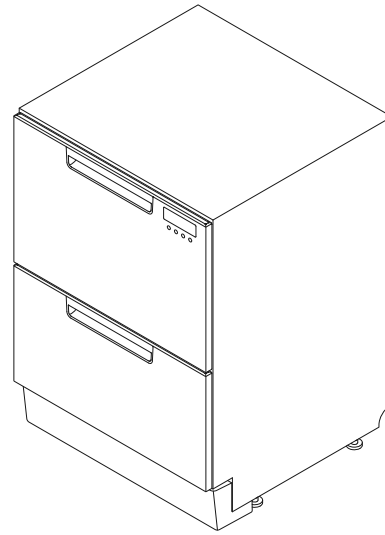
**adjustable

Actual product dimensions may vary by ± 2 mm

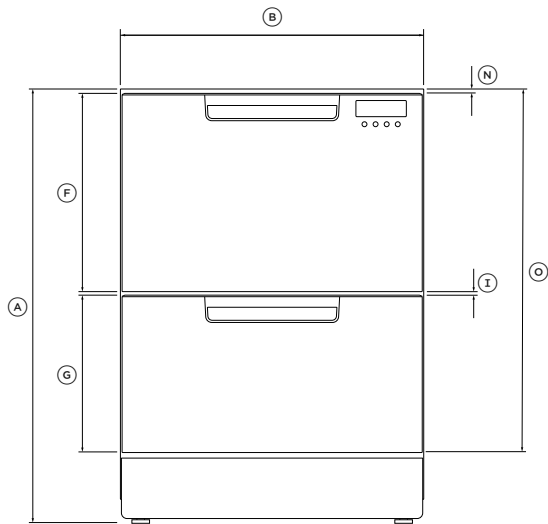
PRODUCT DIMENSIONS - DD60DA MODELS



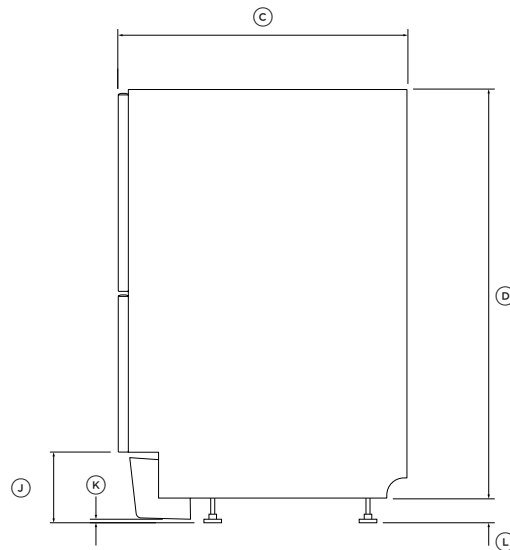
PLAN



ISOMETRIC



FRONT



PROFILE

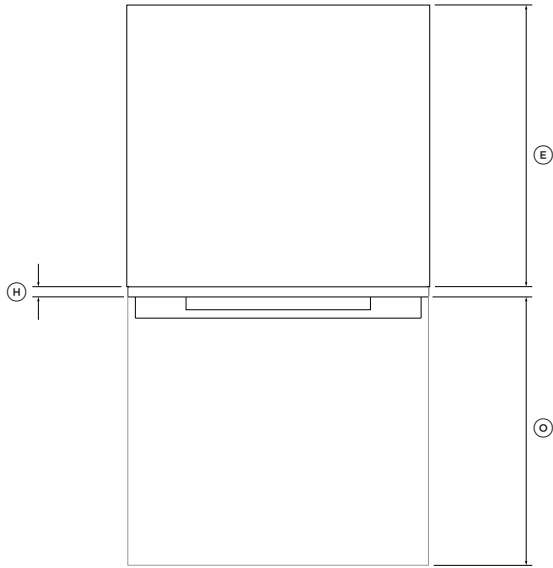
PRODUCT DIMENSIONS	DD60DA
	MM
Ⓐ Overall height*	820-880
Ⓑ Overall width	599
Ⓒ Overall depth	573
Ⓓ Height of chassis	811
Ⓔ Depth of chassis	553
Ⓕ Height of upper door panel	393
Ⓖ Height of lower door panel	312
Ⓗ Depth of door panel	20
Ⓘ Ventilation gap between door panels	7
Ⓙ Height from base of door to floor*	100-160
Ⓚ Minimum clearance between toe kick panel and floor	12
Ⓛ Height of feet*	9-69
Ⓜ Max. drawer extension from drawer front	547
Ⓝ Height from top of drawer panel to top of chassis	8
Ⓞ Height from top of chassis to bottom of lower drawer panel	720

*depending on adjustment of levelling feet

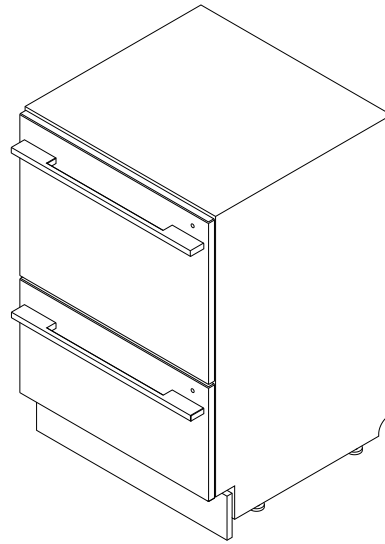
**adjustable

Actual product dimensions may vary by ± 2mm

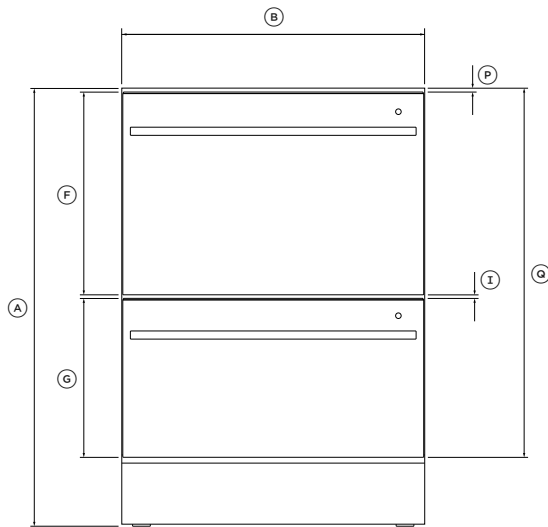
PRODUCT DIMENSIONS - DD60DD MODELS



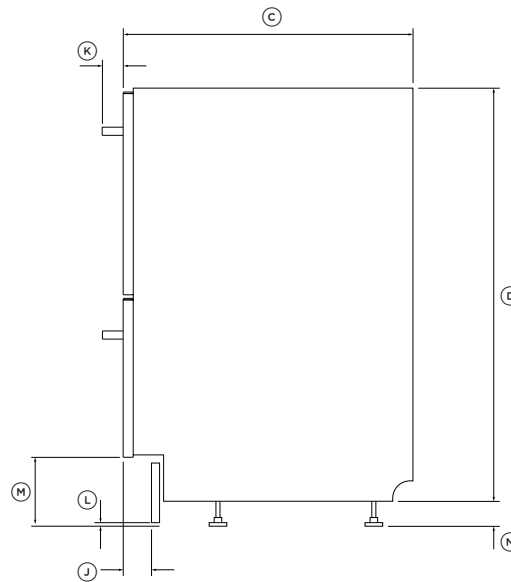
PLAN



ISOMETRIC



FRONT



PROFILE

PRODUCT DIMENSIONS	DD60DD
	MM
(A) Overall height*	820-880
(B) Overall width	599
(C) Overall depth	573
(D) Height of chassis	811
(E) Depth of chassis	553
(F) Height of upper door panel	398
(G) Height of lower door panel	312
(H) Depth of door panel	20
(I) Ventilation gap between door panels	8
(J) Depth of toe kick recess**	38-54
(K) Depth of handle	41
(L) Minimum clearance between toe kick panel and floor	12
(M) Height from base of door to floor*	100-160
(N) Height of feet*	9-69
(O) Max. drawer extension from drawer front	527
(P) Height from top of drawer panel to top of chassis	2
(Q) Height from top of chassis to bottom of lower drawer panel	720

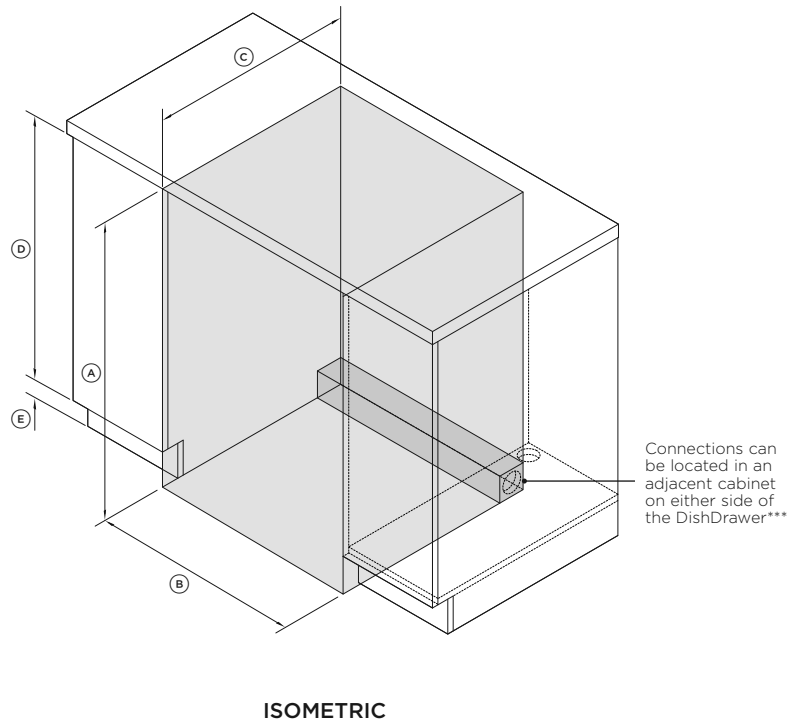
*depending on adjustment of levelling feet

**adjustable

Actual product dimensions may vary by ± 2 mm

CABINERY

DIMENSIONS



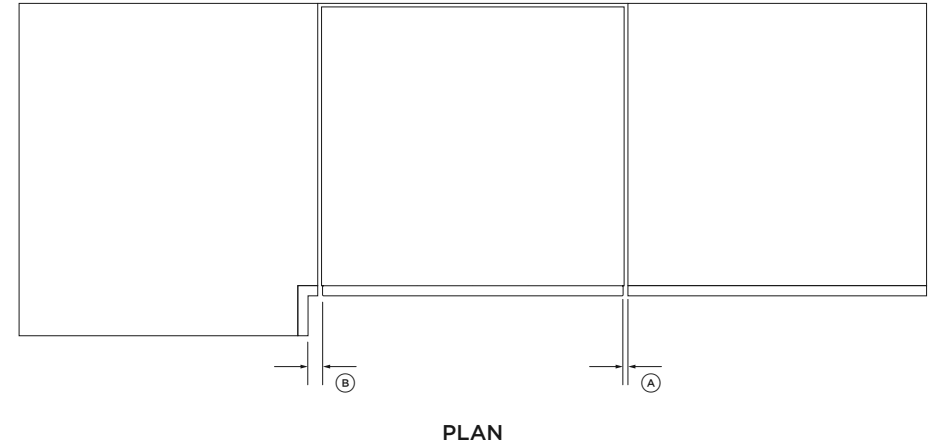
CABINERY DIMENSIONS	MM
Ⓐ Minimum inside height*	820
Ⓑ Inside width	600-610
Ⓒ Minimum inside depth**	579
Ⓓ Recommended height of adjacent cabinetry	720
Ⓔ Height of toe kick area***	100-160

*depending on adjustment of levelling feet

**including 19mm door panels on adjacent cabinetry

***For more information on service requirements, refer to 'Plumbing & electrical considerations' and 'Cabinetry preparation'.

CLEARANCES



CABINERY CLEARANCES	MM
Ⓐ Minimum clearance to adjacent cupboard door	2
Ⓑ Minimum clearance to corner cupboard	13

PLUMBING & ELECTRICAL CONSIDERATIONS

Hose and cord lengths

- Your services can be installed to **either** the left-hand or right-hand side of the product in an adjacent cabinet. Refer to 'Cabinetry preparation' for service access requirements.
- If the drain hoses supplied are not long enough to reach your services, you may purchase a Fisher & Paykel drain hose extension kit which will extend the drain hoses by 3.6m (part number 525798).

Water connection

- Recommended water temperature: Cold (maximum 60°C)
- 3/4" BSP (GB20) to suit flat washer
- Ensure water connection complies with local plumbing regulations.

Water pressure

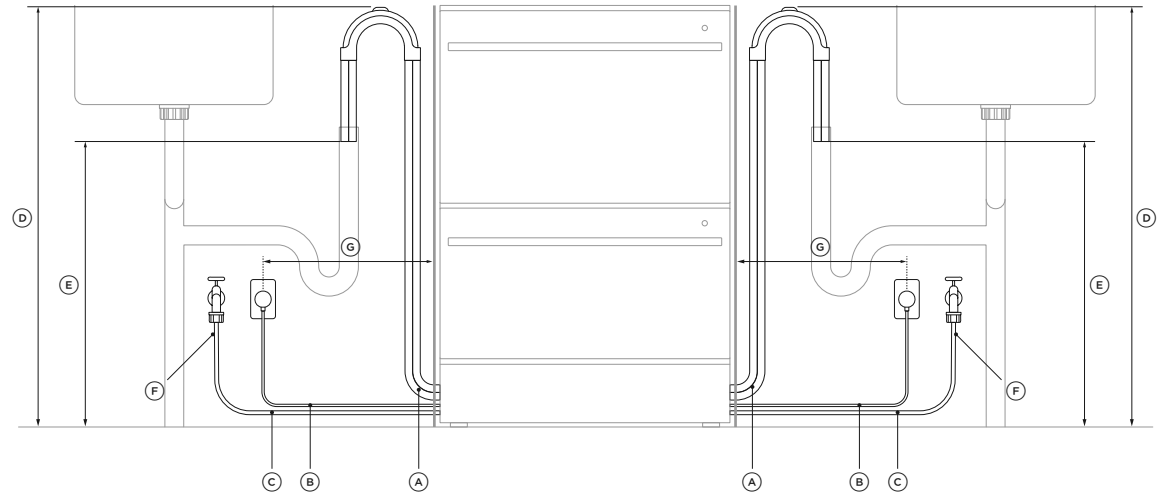
- Water softener models: max. 1 MPa (145 psi), min. 0.1 MPa (14.5 psi)
- Non-water softener models: max. 1 MPa (145 psi), min. 0.03 MPa (4.3 psi)

Electrical requirements

- 220 - 240VAC min 9.5A

Kosher requirements

- Drains will need to be separated to satisfy kosher requirements.
- We recommend confirming the acceptability with your local rabbi in respect to kosher installations.



SERVICE DIMENSION	LEFT SIDE*	RIGHT SIDE*
	MM	MM
Ⓐ Length of drain hoses	2000	1800
Ⓑ Length of power cord**	1650	1650
Ⓒ Length of inlet hose	1650	1250
Ⓓ Distance from floor to top of hose support	750-883	750-883
Ⓔ Minimum distance from floor to end of drain hoses***	500	500
Ⓕ Minimum inlet hose radius	200	200
Ⓖ Maximum distance from cabinetry centre of electrical outlet	450	450

*dimensions taken from the chassis edge where applicable

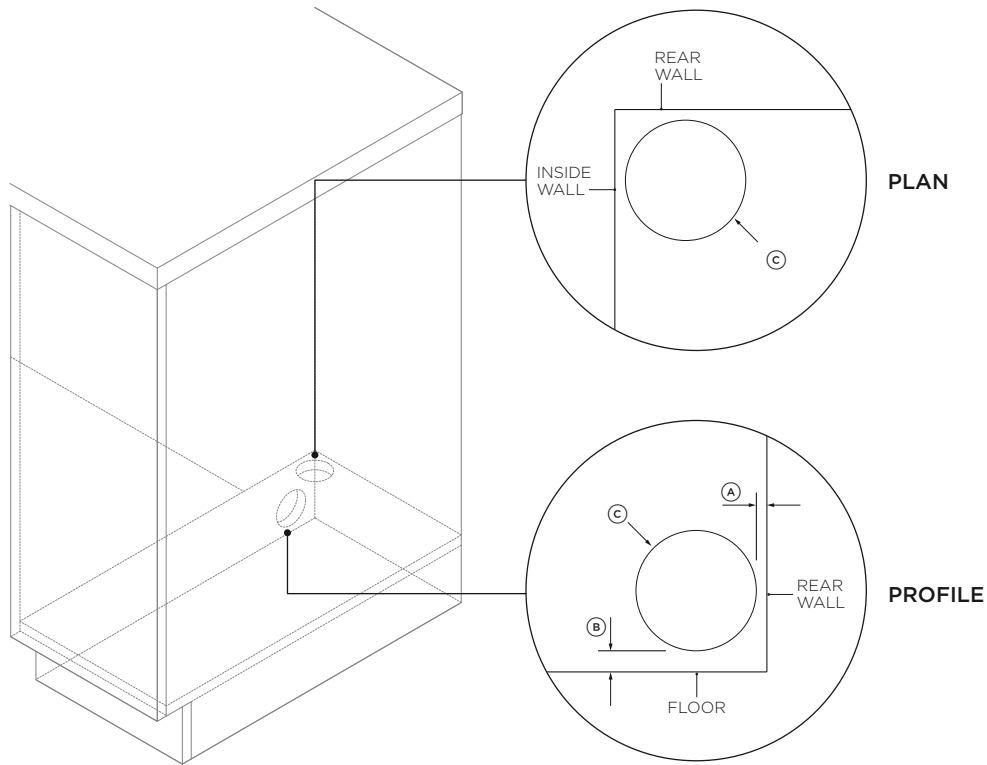
**excluding plug

***standpipe install illustrated. Distance is the same for all plumbing installs.

CABINETY PREPARATION

SERVICE ACCESS

- We recommend locating the service holes on either side of the DishDrawer as shown below.
- If the holes are created through wood, ensure the edges are smooth and rounded
- If the holes are created through metal, ensure an edge protector is fitted.

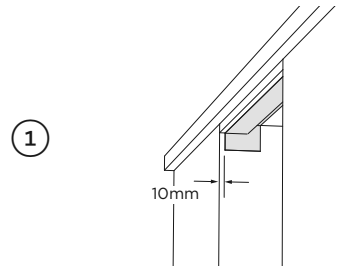


SERVICE HOLE DIMENSIONS

MM

(A) Maximum distance between rear of cavity and service hole	5
(B) Maximum distance between floor and service hole	10
(C) Minimum diameter of service hole	57

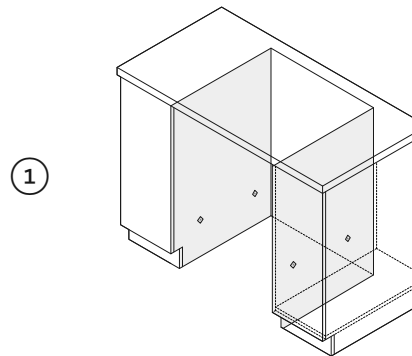
MOISTURE PROTECTION



Align the supplied moisture protection tape to the cabinetry as illustrated

Ensure this area is free of debris before carefully applying the tape to the surface.

SIDE PARTITION



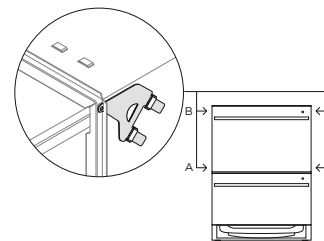
If securing via the drawer removal method, ensure the marked locations provide adequate support.

If there are no side partitions, construct timber bracing to secure the fixings to.

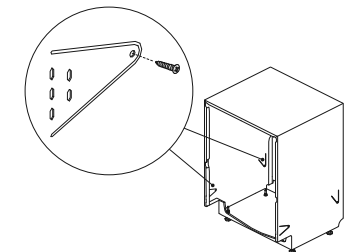
SELECT CABINETY SECURING METHOD

METHOD A Secure to cabinetry via brackets

Recommended method*

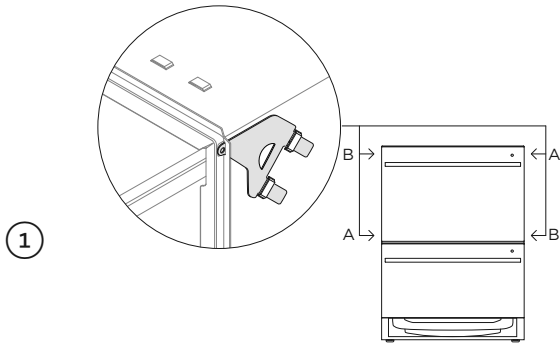


METHOD B Secure via drawer removal



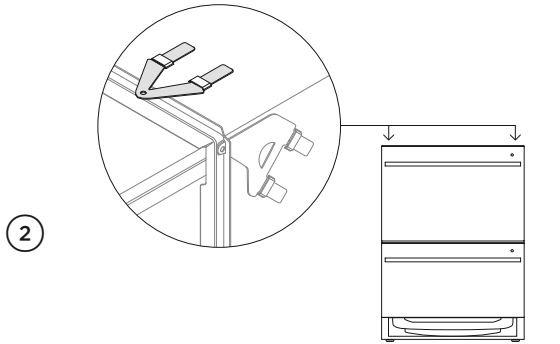
*Frameless cabinetry only

SECURE TO CABINETRY VIA BRACKETS (METHOD A)



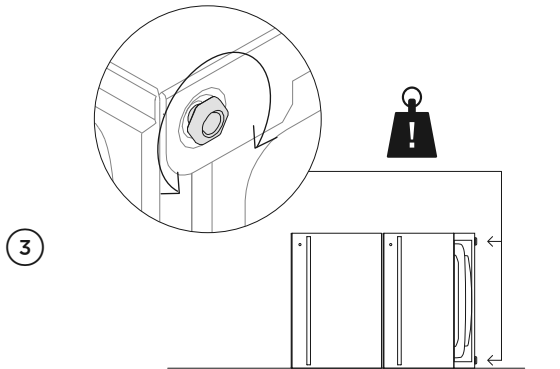
Secure all four side brackets to the DishDrawer™ Dishwasher, aligning bracket A with slot A and bracket B with slot B.

Ensure the ends of the brackets are not pushed into the chassis.



Optionally, fit the two top brackets for additional stability. Ensure the brackets are oriented correctly with the raised locking barbs facing upwards.

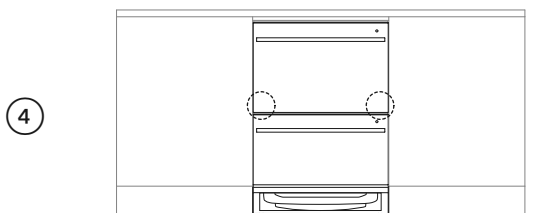
Ensure the ends of the brackets are not pushed into the chassis.



Level the DishDrawer™ Dishwasher by carefully tipping it onto protected surface.

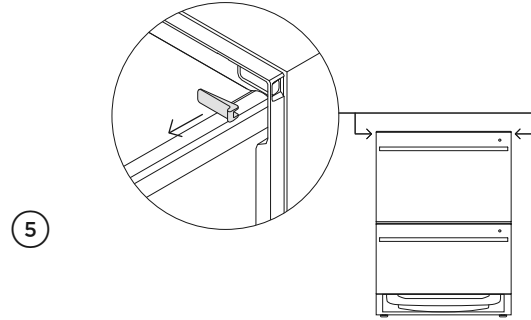
Rotate each leg anticlockwise to increase the height, and clockwise to decrease. Stand upright when complete.

Minor adjustments can be made by lightly tilting the product and rotating each leg as desired.

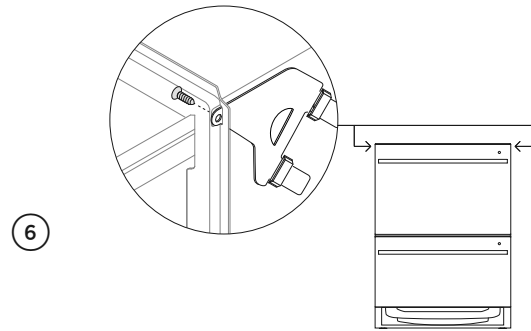


Push the product into the cavity, pulling the hoses through as you push to avoid crushing or twisting them and taking care not to bend the legs.

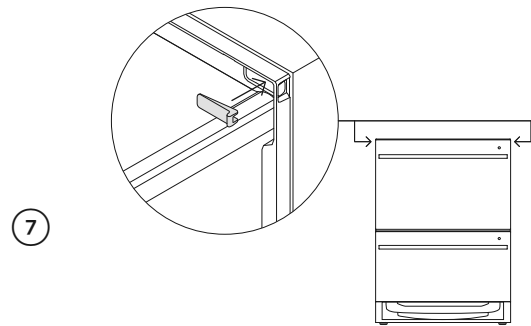
Push the product in the positions illustrated to avoid denting the door.



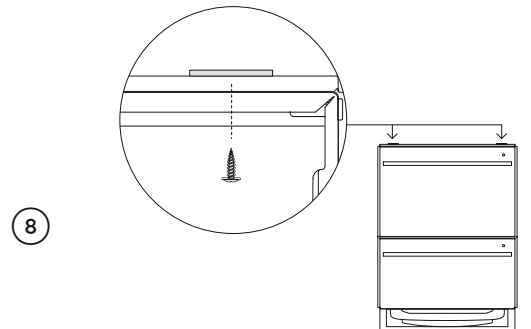
Partially open one of the drawers and remove the first screw cover from the trim moulding.



Secure to cabinetry via the brackets. Pre-drilling a pilot hole may be required depending on the cabinetry material.



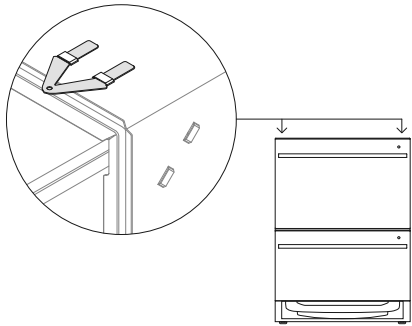
Replace the trim cover and repeat for the remaining brackets.



If fitted, secure the two top brackets to the cabinetry.

SECURE TO CABINETRY VIA DRAWER REMOVAL (METHOD B)

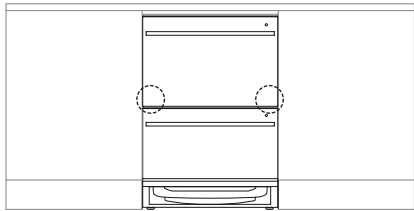
①



Optionally, fit the two top brackets.
Ensure the ends of the brackets are not pushed into the chassis.

Loosen each foot by 1/2 a turn by lightly tilting the product and rotating each leg anticlockwise.

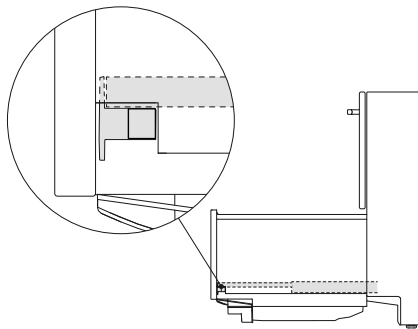
②



Push the product into the cavity, pulling the hoses through as you push to avoid crushing or twisting them and taking care not to bend the legs.

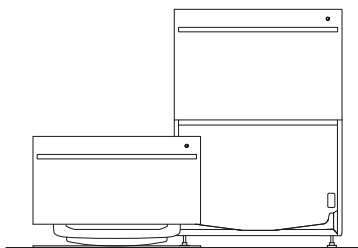
Push the product in the positions illustrated to avoid denting the door.

③



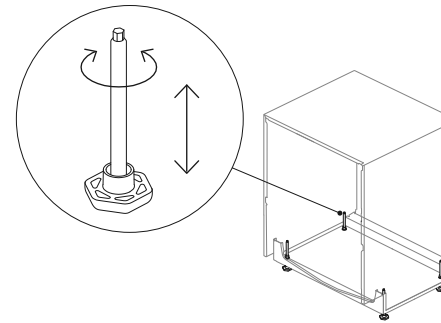
Open the lower drawer and press both locking tabs back to release.

④



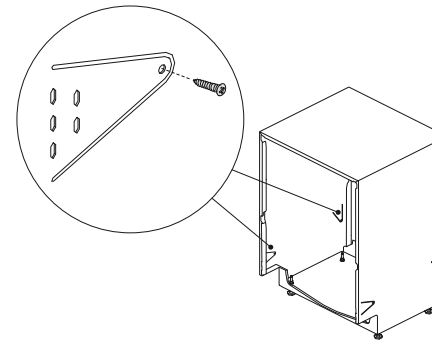
Lift the drawer off the runners and set aside on a protected surface. Push runners back in.
 Take care not to pull drawer out too far to prevent any strain on the hoses.

⑤



Using your hand or the supplied hex socket and a screwdriver, level the DishDrawer™ Dishwasher as required. Rotate clockwise to increase the height of each leg and anticlockwise to lower. It can help to reduce the loading on the feet to assist the adjustment process.

⑥

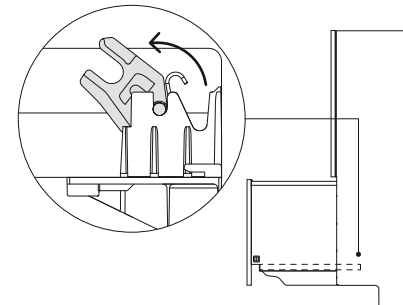


Secure to cabinetry via all four fixing locations in the chassis.

Ensure sound insulation is replaced correctly.

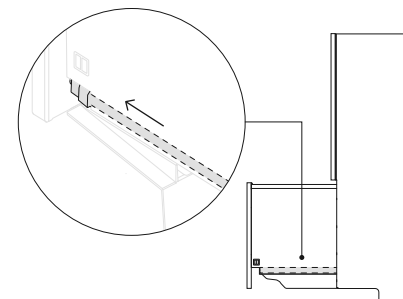
If fitted, secure the two top brackets to the cabinetry.

⑦



Before refitting the drawers, ensure the hoses are not twisted and all latches are facing forward.

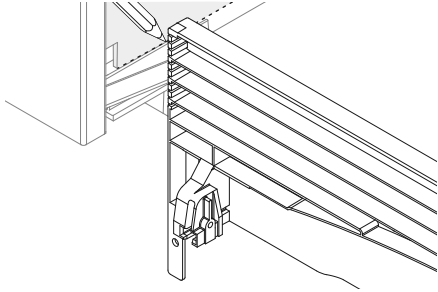
⑧



Refit the drawer to the runners and clip into place via both locking tabs.

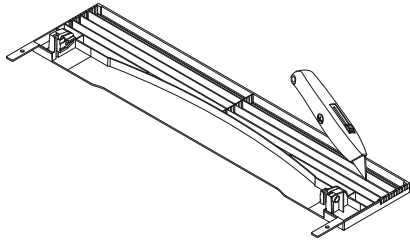
INSTALL TOE KICK - DD60DC & DD60DD MODELS

1



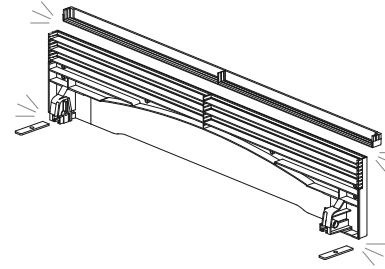
Measure toe kick height. Where the toe kick meets the bottom of the tub is the recommended cut-off point.

2



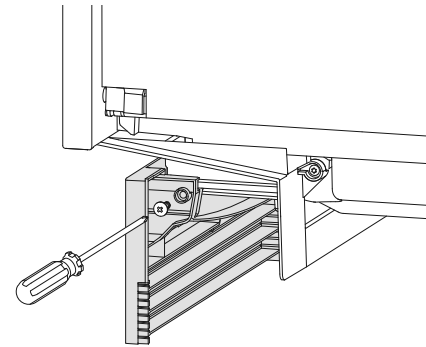
Carefully score toe kick at desired height

3



Snap excess + smooth edges.
Snap both end tabs.

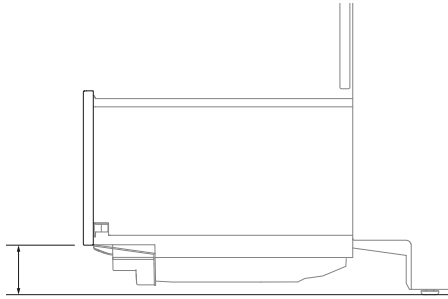
4



Slide toe kick onto the mounting rails and secure
Do not over tighten the screws.

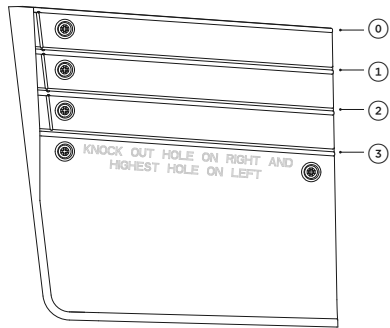
INSTALL TOE KICK - DD60DA MODELS

1



Measure the distance from the floor to the base of the lower door panel. Refer to the table below for the recommended cut location.

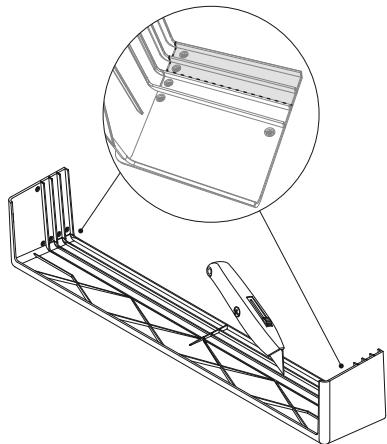
2



CUT	HEIGHT FROM FLOOR TO BASE OF DOOR (MM)
3	100 - 114
2	115 - 129
1	130 - 144
0	145 - 160

*recommendations are based on the required min. clearance of 12mm between the floor and toe kick.

3

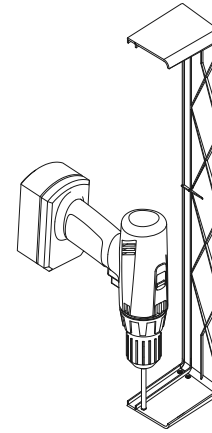


On a protected surface, carefully score down both corners to the desired cut-off point and snap to remove the excess.

Once the sides are removed, score down the middle of the toekick and snap to remove.

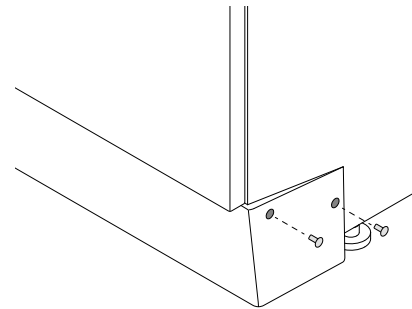
Smooth the edges using a file or knife as desired.

5



Punch or drill out the two mounting holes with a 5mm drill bit on each side of the toe kick as shown.

6



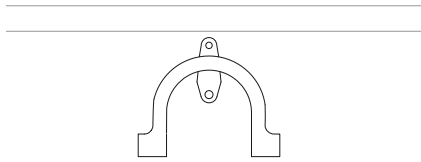
Secure toe kick to the Dishdrawer using the supplied pins.

If the toe kick touches the floor with a full load, more of the panel may need to be removed.

- 1 Remove the lower drawer. Refer to 'Secure to cabinetry via drawer removal (method B)' for considerations and guidance.
- 2 Remove the pins securing the toe kick to the DishDrawer using a pair of needle nose pliers to press the pin legs together and push back through the mounting holes.
- 3 Remove toe kick and cut off an additional section referring to the guidance on this page.
- 4 Refit the lower drawer. Refer to 'Secure to cabinetry via drawer removal (method B)' for considerations and guidance.
- 5 Refit the toe kick panel referring to the guidance on this page.

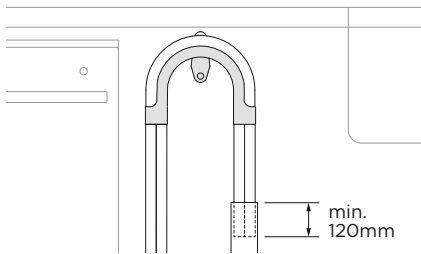
Ø38MM STANDPIPE INSTALLATION

1



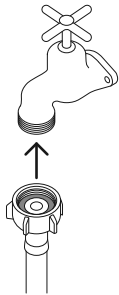
Install the drain hose support to the back wall, as close to the underside of the countertop as possible. Refer to 'Plumbing & electrical considerations' for minimum install heights.

2



Pull both hoses through the support guide and rest in standpipe. Ensure the drain hose does not extend into water retained in the trap; an air gap is required to prevent waste water from siphoning back into the tub.

3

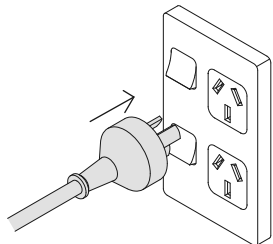


Ensure the supplied rubber washer is fitted to the coupling before connecting the inlet hose to tap. Hand-tighten into place.

Using a spanner or pliers, turn a further 180° to secure. Avoiding over-tightening.

Do not turn water supply on. The DishDrawer™ Dishwasher must be powered on for the flood protection feature to be enabled.

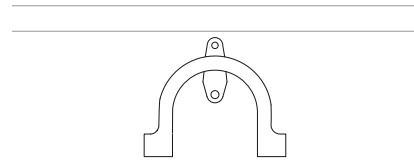
4



Plug product in.

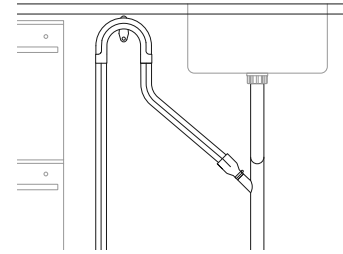
SINK TRAP/WASTE TEE INSTALLATION

1



Install the drain hose support to the back wall, as close to the underside of the countertop as possible. Refer to 'Plumbing & electrical considerations' for minimum install heights.

2

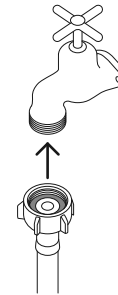


Pull both hoses through the drain hose support before threading the wire clips on to the hoses and fitting to the supplied hose joiner. Secure using the wire clips.

Ensure hose is routed straight to the joiner, removing excess drain hose if necessary. Do not shorten the inlet hose.

Unplug or drill out the waste tee before securing joiner to sink trap or waste tee.

3

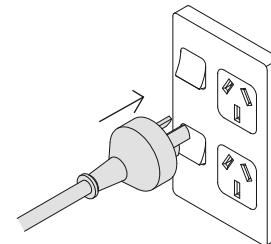


Ensure the supplied rubber washer is fitted to the coupling before connecting the inlet hose to tap. Hand-tighten into place.

Using a spanner or pliers, turn a further 180° to secure. Avoiding over-tightening.

Do not turn water supply on. The DishDrawer™ Dishwasher must be powered on for the flood protection feature to be enabled.

4



Plug product in.

INSTALLER CHECKLIST

TO BE COMPLETED BY THE INSTALLER

Installation

- Check all parts are installed correctly and are secure.
- Ensure all clearance gaps have been maintained.
- Ensure DishDrawer™ Dishwasher is securely fastened to the cabinetry and drawer opens and closes freely with no resistance.
- Ensure any packaging or tape securing the racks and spray arm is removed.
- Check the spray arm is in place, mounted correctly and rotate freely.

Plumbing

- Ensure any knock-outs or plugs in drain connection have been drilled out and drain connection has been made.
- The drain hose joiner must not support the weight of excess hose material. Keep drain hose as fully extended as possible to prevent sagging. Any excess length of drain hose should be kept on the dishwasher side of the highloop.
- Ensure inlet hose has supplied rubber washer fitted, and that it's tightened.
- If connecting the drain hose to the sink trap, ensure the highloop is a minimum 150mm higher than the drain hose joiner.
- Water softener models: adjust the water softener setting from the default setting to suit the water hardness of the area. Refer to your user guide.
- Ensure water supply is turned off until power is connected and turned on. The DishDrawer™ Dishwasher must be powered on for the flood protection feature to be enabled.

Electrical





- Ensure all electrical tests have been conducted in accordance with local regulations.

Test operation

- Turn on the power and water supplies, then open the drawer. You should hear a beep and see a program indicator light up on the control panel.
- Add three cups of water into the drawer.
- Navigate to **RINSE** and start the program.
- Repeat for the other drawer.
- After the Rinse cycle has finished, ensure the dishwasher has run and drained correctly.
- Check the water supply has been shut off correctly.
- Check drainage connections for leaks.
- If site is left without power after installation is complete, ensure water supply is turned off to prevent flooding.**

TROUBLESHOOTING

DD60DA and DD60DC models

DISPLAY	POSSIBLE CAUSE	WHAT TO DO
 <p>Fast Delicate Rinse</p>	A1: Water Supply fault.	<ol style="list-style-type: none"> ① Ensure the water supply is turned on. ② Press ► once to stop the beeping, then again to clear the fault. ③ Press ► to resume the wash program.
<p>RINSE + all modifiers</p>  <p>Fast Delicate Rinse</p>	A3: Drawer cannot drain. The drainage hose may be blocked or kinked, or the connection to drainage pipe may be blocked.	<ol style="list-style-type: none"> ① Ensure the drainage hose and connection to pipes are not blocked. ② Press ► once to stop the beeping, then again to clear the fault. ③ Press ► to resume the wash program.
<p>DELICATE, RINSE + all modifiers</p>  <p>Fast Delicate Rinse</p>	A6: The spray arm has loosened or come off its mounting, or water pressure is too low, or a combination of low water pressure and excessive foaming.	<ol style="list-style-type: none"> ① Open the drawer and check the spray arm. ② If the spray arm has loosened or come off its mounting, re-fit it. Check that it is firmly seated and turns freely. Refer to 'Maintenance' in your user guide. ③ Press ► once to stop the beeping, then again to clear the fault. ④ Press ► to resume the wash program.
<p>FAST, DELICATE + all modifiers</p>  <p>Fast Delicate Rinse</p>		

DD60DD models

DISPLAY	POSSIBLE CAUSE	WHAT TO DO
A1	Water supply fault.	<ol style="list-style-type: none"> ① Ensure the water supply is turned on. ② Press ① once to stop the beeping, then again to clear the fault. ③ Press ►II to resume the wash program.
A3	Drawer cannot drain. The drainage hose may be blocked or kinked, or the connection to drainage pipe may be blocked.	<ol style="list-style-type: none"> ① Ensure the drainage hose and connection to pipes are not blocked. ② Press ① once to stop the beeping, then again to clear the fault. ③ Press ►II to resume the wash program.
A6	The spray arm has loosened or come off its mounting, or water pressure is too low.	<ol style="list-style-type: none"> ① Open the drawer and check the spray arm. ② If the spray arm has loosened or come off its mounting, re-fit it. Check that it is firmly seated and turns freely. Refer to 'Maintenance'. ③ Press ① once to stop the beeping, then again to clear the fault. ④ Press ►II to resume the wash program.

No program indicator lights up when the drawer is opened

- Ensure power is connected and is switched on.
- **AUTO POWER-ON** may need to be activated. Refer to your user guide for details.

Drawer doesn't close properly

- Ensure nothing is obstructing the drawer from closing such as hoses or drawer latches.

Water appears around water supply and drain connections

- Check hoses, connections and existing plumbing for leaks.
- Check rubber washer and hose clamp are correctly fitted.

Product is tipping

- Ensure the product is secured to the cabinetry.

Front panels are misaligned to surrounding cabinetry

- Check the cabinetry is square. Check and relevel product. Unscrew the product from the cabinetry. Adjust the feet to level the product, then re-secure to the cabinetry.

If a problem occurs that is not listed, refer to your user guide for additional troubleshooting. If after checking these points, you still need assistance, please refer to the Service & Warranty book for warranty details or contact us through our website fisherpaykel.com

FISHERPAYKEL.COM

© Fisher & Paykel Appliances 2021. All rights reserved.

The models shown in this guide may not be available in all markets
and are subject to change at any time.

The product specifications in this guide apply to the specific products and
models described at the date of issue. Under our policy of continuous product
improvement, these specifications may change at any time.

For current details about model and specification availability in your country,
please go to our website or contact your local Fisher & Paykel dealer.

592321A 07.21