

Convection Speed Oven, 24", 22 Function

Series 9 | Contemporary

Stainless Steel

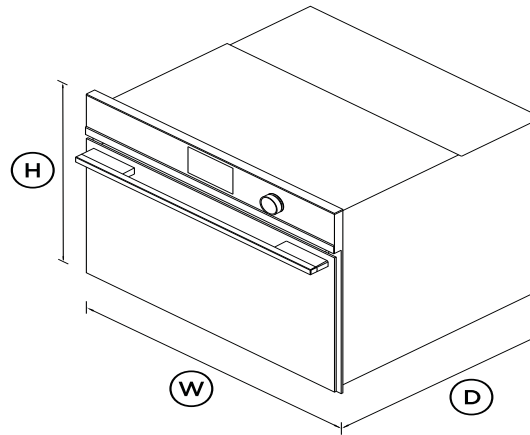


The speed of microwave cooking with the versatility of convection oven technology in a compact companion model, for perfect pairing.

- Generous 1.7 cu ft capacity, with four shelf positions
- A Wired Temperature Sensor precisely monitors cooking in real time
- Guided touchscreen cooking makes it simple to navigate cooking processes
- Wi-Fi enabled and works with the SmartHQ™ app for remote control and notifications

DIMENSIONS

Height	18"
Width	23 7/16"
Depth	22 1/4"



FEATURES & BENEFITS

Cooking flexibility

Choose from 22 functions, including four microwave-only functions, 14 traditional oven functions, and four combination functions, giving you the best microwave and convection oven technology.

Cook with confidence

The 5" screen provides an intuitive guided cooking experience that helps to deliver perfect results, whether you've been

cooking all your life or are just starting out.

Sized to suit

A compact 24" width means this microwave oven can be placed almost anywhere – all companion products can be installed at a convenient height to suit your kitchen design and preference.

Complementary design

Finished in stylish stainless steel with a polished metal trim, our Contemporary style ovens help you to create a coherent, distinctive aesthetic in your kitchen.

Multi-function flexibility

Each function has been tailored and tested to ensure perfect defrosting, heating and cooking.

Safe and sound

The CoolTouch door is safe to touch from the outside, protecting your hands and the surrounding cabinetry.

SPECIFICATIONS

Accessories

Chromed shelf runners	•
Glass tray	1
Step down wire shelf	1
Wire shelf	1
Wired temperature sensor	1

Accessories (sold separately)

Matching Trim Kit	TK7630NDX1
-------------------	------------

Capacity

Shelf positions	4
Total capacity	1.7cu ft
Usable capacity	1.3cu ft

Cleaning

- Acid resistant graphite enamel
- Removable oven door
- Removable shelf runners

Controls

- Adjustable audio and display
- Audio feedback
- Automatic cooking/minute
- Automatic pre-set
- Delay start
- Electronic clock
- Electronic oven control
- Food probe
- Guided cooking by food type
- Halogen lights
- Intuitive touchscreen display
- Multi-language display **UK English, US English,**
- Sabbath mode with Star K
- Soft close doors
- True convection oven
- Turned stainless steel dials
- Wi-Fi connectivity

Functions

- Aero Bake
- Aero Broil
- Air fry
- Bake

- Broil
- Defrost
- Dehydrate
- Fan forced + Micro (3 levels)
- Fan grill + Micro (3 levels)
- Grill + Micro (3 levels)
- Maxi Broil
- Number of functions **22**
- Pastry Bake
- Pizza bake
- Popcorn
- Quick start
- Rapid proof
- Roast
- Roast + Micro (3 levels)
- Slow cook
- True Aero
- Vent bake
- Warm

Performance

- ActiveVent™ system
- AeroTech™ technology
- Automatic rapid pre-heat
- Microwave by levels
- Microwave power **900W**
- Microwave power levels **6**
- Temperature range **95 °F - 445 °F**

Power requirements

- Amperage **23A**
- Supply frequency **60Hz**
- Supply voltage **208-240V**

Product dimensions

- Depth **22 1/4"**
- Height **18"**
- Width **23 7/16"**

Safety

- ADA compliant
- Balanced oven door
- Control panel key lock
- CoolTouch door
- Non-tip shelves
- Safety thermostat

Warranty

- Parts and labor **2 years**

SKU 82674

The product dimensions and specifications in this page apply to the specific product and model. Under our policy of continuous improvement, these dimensions and specifications may change at any time. You should therefore check with Fisher & Paykel's Customer Care Centre to ensure this page correctly describes the model currently available. ? Fisher & Paykel Appliances Ltd 2020

Other product downloads available at fisherpaykel.com

- [↓](#) Service & Warranty
- [↓](#) User Guide Microwave Oven EN
- [↓](#) User Guide SP
- [↓](#) User Guide FR
- [↓](#) Installation Guide EN
- [↓](#) Data Sheet Convection Speed Oven
- [↓](#) Preliminary Specification Guide



A PEACE OF MIND SALE

24 Hours 7 Days a Week Customer Support

T 1.888.936.7872 W www.fisherpaykel.com