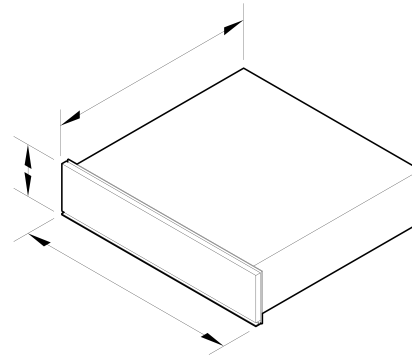


# 60cm Series 9 Minimal Vacuum Seal Drawer

Minimal



|        |        |
|--------|--------|
| Height | 140 mm |
| Width  | 596 mm |
| Depth  | 566 mm |



## FEATURES & BENEFITS

### Complementary Design

Designed to match our Minimal style appliances, the Vacuum Seal Drawer is the ideal companion for our Combination Steam Oven.

### Three Levels Of Vacuum And Heat Sealing

Vacuum seal food to intensify flavours, infuse marinades and retain freshness. Effortlessly prepare food for sous vide cooking in optimal conditions.

### Fresher Food For Longer

Vacuum sealing creates ideal conditions for longer food shelf life and storage. Lack of air exposure hinders the growth of bacteria and mould, preventing freezer burn and protecting your food.

### Easy To Use

This Vacuum Seal Drawer is handle-free, push-to-open for effortless loading and operating. The touch controls are responsive and intuitive for ease of use.

### Easy To Clean

The stainless steel interior can be wiped down with a damp cloth for easy cleaning.

### Reduce Food Waste

Our Vacuum Seal drawers extend the lifespan of food by removing excess air, which is the prime reason for spoilage. Vacuum sealing allows you to buy food in bulk and safely seal it for longer shelf life. Our food-grade, BPA-free bags are an excellent storage option — these can be re-used if sealed and cut appropriately.

## SPECIFICATIONS

### Accessories (included)

|                                      |                                  |
|--------------------------------------|----------------------------------|
| External vacuuming accessory kit     | <b>Adapter, stopper and tube</b> |
| Large size BPA-free vacuum seal bags | <b>50 bags, Part 793034</b>      |
| Small size BPA-free vacuum seal bags | <b>50 bags, Part 793033</b>      |

### Capacity

|                              |                      |
|------------------------------|----------------------|
| Maximum vacuum seal bag size | <b>240mm x 350mm</b> |
| Usable capacity              | <b>7.8 L</b>         |
| Usable height                | <b>85 mm</b>         |

Prepares food for sous vides cooking, with vacuum sealing for marinating, food storage and portioning and resealing.

- Effortless preparation for sous vide cooking
- Three levels of vacuum and heat sealing for food storage, marinating or portioning
- Part of our suite of companion products, designed to match aesthetically for flexible configurations
- Intuitive touch controls for ease of use

## DIMENSIONS

**Cleaning**

- Easy clean glass lid
- Easy clean stainless steel interior
- Removable sealing bar and cover

**Controls**

- Audio feedback
- Electronic capacitive touch controls
- Maintenance and moisture indicator
- Push-to-open drawer
- Standby mode

**Performance**

- External vacuuming
- Prepare food for sous-vide cooking
- Pump power **150**
- Pump pressure **10 Bar**
- Vacuum levels **3**
- Vacuum sealing levels **3**

**Power requirements**

- Amperage **10 A**
- Power cord length **1800 mm**
- Power outlet **3-prong grounding-type**
- Supply frequency **60 Hz**
- Supply voltage **240 V**

**Product dimensions**

- Adjustable front door panel to align with surrounding cabinetry
- Depth **566 mm**
- Height **140 mm**
- Width **596 mm**

**Safety**

- BPA-free vacuum seal bags **100 bags included**
- Full extension slides

SKU 82117

The product dimensions and specifications in this page apply to the specific product and model. Under our policy of continuous improvement, these dimensions and specifications may change at any time. You should therefore check with Fisher & Paykel's Customer Care Centre to ensure this page correctly describes the model currently available. © Fisher & Paykel Appliances Ltd 2020

**Other product downloads available at fisherpaykel.com**

- [↓ Archicad](#)
- [↓ Installation Guide \(English\)](#)
- [↓ Revit](#)
- [↓ Rhino](#)
- [↓ SketchUp](#)
- [↓ User Guide \(English\)](#)

Where applicable:

All appliances use energy, and energy usage typically generates carbon emissions. **Fisher & Paykel Appliances' In-use Energy Carbon Emissions Estimate** indicates carbon emissions from a product's in-use energy. This is calculated either annually or per cycle, using the product's market-specific energy label energy consumption data multiplied by the carbon emissions factor for energy in your country or region.

Our In-use Energy Carbon Emissions Estimate is designed to assist customers in making informed purchasing decisions when comparing different Fisher & Paykel products. For example, a heat pump dryer typically has a lower In-use Energy Carbon Emissions Estimate than a vented dryer.



**A PEACE OF MIND SALE**  
**24 Hours 7 Days a Week Customer Support**  
 T 1300 650 590 W [www.fisherpaykel.com](http://www.fisherpaykel.com)