

Front Loader Washing Machine, 8kg

Series 5 | Front Load

White

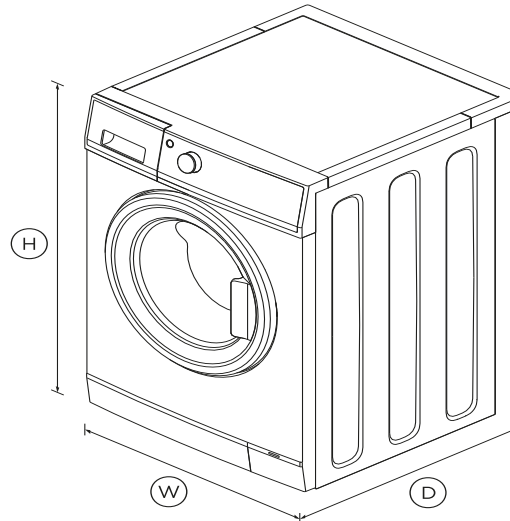


This front loader cares for all kinds of fabrics, with a cycle for everything from delicates to bulky items.

- 14 wash cycles including Allergy, Handwash and a 15 minute Super Quick cycle to cater for busy lives
- Add a Garment function allows you to add items mid cycle
- 1400 RPM spin speed means more water is extracted from your wash resulting in a shorter dry cycle

DIMENSIONS

Height	850 mm
Width	600 mm
Depth	570 mm



FEATURES & BENEFITS

Add a Garment

Missed an item from your wash? With our Add a Garment function, simply press a button and open the door to add or remove items. Then carry on washing.

Quick cycles

Vortex Wash speeds up the cleaning process so most cycles take less than an hour to complete. During the tumble action, water is forced from the bottom of the drum up through your clothes so detergent and heat reach your fabric faster.

SPECIFICATIONS

Accessories

- Stacking kit

Capacity

Capacity **8kg**

Consumption

Annual energy consumption	165kWh
Annual water consumption	9500L
Energy rating	A+++
Water consumption per cycle	43L

Features

- Add a garment (immediate)
- Anti-fungal door gasket
- Auto out of balance correction
- Automatic Water Level
- Choice of cold only or hot and
- Customise cycle
- Delay start
- Eco
- Extra rinse option
- Flood protection
- Keylock
- No spin / Spin Hold
- Pre Wash
- SmartTouch™ control dial

Soil levels	3
Spin speeds	No Spin, 500, 800, 1100, 1400
Stainless steel drum bowl	•
Timed liquid detergent	•
Water temperature controls	5
Wrinkle Free	•

Drum Clean	•
Everyday	•
Handwash	•
Heavy	•
Number of wash cycles	14
Rinse	•
Spin	•
Super Quick	•
Synthetic	•

Performance

Maximum spin speed	1400rpm
Noise (spin)	68dBA
Noise (wash)	50dBA
Number of spin speeds	4
SmartDrive™ technology	•
Spin performance	B
Vortex™ Wash	•

SKU 98139

The product dimensions and specifications in this page apply to the specific product and model. Under our policy of continuous improvement, these dimensions and specifications may change at any time. You should therefore check with Fisher & Paykel's Customer Care Centre to ensure this page correctly describes the model currently available. © Fisher & Paykel Appliances Ltd 2019.

Product dimensions

Depth	570 mm
Height	850 mm
Width	600 mm

Warranty

Parts and labour	5 years
Parts only direct drive motor	5 years

Wash Cycles

Allergy	•
Bulky	•
Cottons	•
Delicate	•

Other product downloads available at fisherpaykel.com



User Guide



Service & Warranty Booklet



Installation Guide



A PEACE OF MIND SALE

24 Hours 7 Days a Week Customer Support

T 1300 650 590 W www.fisherpaykel.com