

Integrated Insert Cooker Hood, 60cm

Series 7 | Integrated

Stainless Steel and Glass

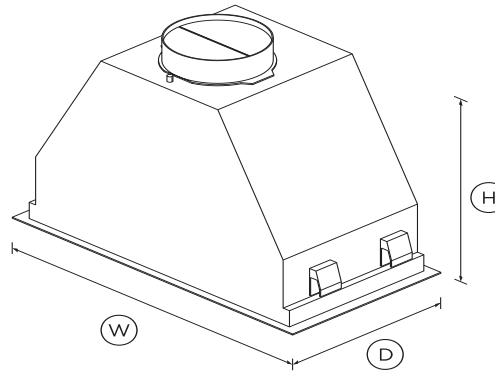


Integrates seamlessly into the cabinetry above your cooktop, with stainless steel and black glass. Quiet efficiency.

- With four fan speeds, plus boost function, select the perfect extraction rate for your cooking
- Powerful maximum air movement 687m³/hr
- Dishwasher safe filters that are easy to remove and clean

DIMENSIONS

Height	352mm
Width	530mm
Depth	280mm



FEATURES & BENEFITS

EFFECTIVE AND QUIET

Odours can linger in the kitchen well after cooking is finished. This cooker hood offers four fan speeds plus a boost function for powerful extraction to quickly remove steam and odours. The timer keeps the cooker hood working for up to 15 minutes before automatically turning off.

EASY CLEANING

The glass and stainless steel finishes are easily wiped clean and the filters removable and dishwasher safe. An alert reminds you

when to clean the filter to ensure you get the best performance out of your cooker hood.

SIMPLE TO USE

The intuitive control panel responds to the touch of your finger. Low-power LED lighting keeps energy usage to a minimum while providing superb illumination over the entire cooking surface.

DESIGNED TO MATCH

This cooker hood can be built into your cabinetry for a seamless look. Its black glass control panel and stainless steel finish is designed to match the rest of Fisher & Paykel's kitchen appliance family.

SPECIFICATIONS

Accessories

Aluminium filter	792429
------------------	--------

Accessories (sold separately)

Eave ducting kit	RHK150E
Light bulb	792556
Recirculation carbon filter	792481
Side wall ducting kit	RHK150W

Consumption

Energy rating	A
---------------	---

Fan ratings

Maximum air movement	687m ³ /hr
Maximum pressured air	687m ³ /hr
Maximum sound rating	74dB

Installation and cleaning

Dishwasher safe filters	2
Ducted	Top extraction
Recirculation	Optional - top extraction

Performance

Extraction type	Perimeter
Fan speeds	4
Filter type	Mesh with perimeter
Number of filters	2

Power requirements

Lighting power	7W
Motor power	130W
Rated current	3A
Supply frequency	50Hz
Supply voltage	220-240V
Total Power	137W

Product dimensions

Depth	280mm
Height	352mm
Width	530mm

Product information

Control type	Capacitive touch
--------------	------------------

Ventilation features

Dimmable lights	•
Light type	LED
Timer function	•

Warranty

Parts and labour	5 years
------------------	---------

SKU	50126
-----	-------

The product dimensions and specifications in this page apply to the specific product and model. Under our policy of continuous improvement, these dimensions and specifications may change at any time. You should therefore check with Fisher & Paykel's Customer Care Centre to ensure this page correctly describes the model currently available. ? Fisher & Paykel Appliances Ltd 2020

Other product downloads available at fisherpaykel.com

- [↓](#) Service & Warranty
- [↓](#) User Guide
- [↓](#) Installation Guide
- [↓](#) Data Sheet Insert Rangehood



A PEACE OF MIND SALE

24 Hours 7 Days a Week Customer Support

T 08000 886 605 W www.fisherpaykel.com