

8.5kg Series 5 Front Loader Washer, Steam Care

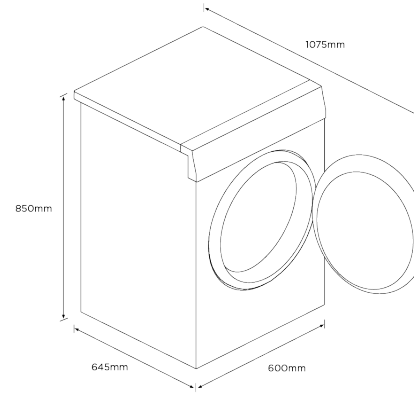


This Fisher & Paykel 8.5kg washing machine has 13 different fabric care cycles to cater for every type of load.

- Reduce odours, refresh and de-wrinkle clothes with no need for a full wash cycle, using Steam Refresh
- Save time or maximise energy efficiency and reduce water usage with the Optimise Wash option
- Quickly and easily add or remove any item from the machine during the wash cycle with the Add a Garment function
- Delivers a quiet, reliable wash with its unique cushion drum design powered by SmartDrive™ technology

DIMENSIONS

Height	850 mm
Width	600 mm
Depth	655 mm



Refer to install guide for further specifications

FEATURES & BENEFITS

13 Fabric Care Cycles

13 fabric care cycles including Steam Refresh, Quick 30, Bulky and Easy Iron. A gentle, effective wash action protects clothes while delivering an optimal wash performance.

Quick Steam Refresh

Steam Refresh is perfect for occasions where clothes have been worn once and need freshening up. The 20 minute cycle will reduce odours and de-wrinkle clothes, making them ready to wear again without the need for a full wash cycle.

Customise Your Wash

Select "Speed" to shorten wash and rinse times or choose "Eco" to wash more sustainably with lower temperatures and less water usage.

A Smarter, Quieter Motor

SmartDrive™ Technology is a gentle, quiet, and efficient combination of smart electronics and a direct drive motor that senses the load to deliver better fabric care.

Approved By Woolmark™

Our Wool cycle is an extra gentle warm wash, perfect for machine washable woollen items. It has a Woolmark™ guarantee so you can wash with confidence, saving time on hand washing.

Add A Garment

The Add a Garment feature allows you to quickly add or remove any size garment mid cycle. Simply press the Add a Garment button and the door will unlock. If the drum water is too high, just enough will be drained out before the door is unlocked.

Designed To Match

The complete package for a beautiful laundry. The 8.5kg washing machine is designed to match our 8kg Heat Pump Condensing Dryer or the 8kg Condensing Dryer. With outstanding aesthetics and complimentary wash and dry cycles, they become the perfect pair to deliver complete fabric care.

SPECIFICATIONS

Capacity

Capacity

8.5 kg

Consumption

Energy rating	4.5 star
Estimated Yearly Energy Usage (kWh)	266kWh/year
In-use energy carbon emissions estimate	162.3kgCO2e/year
Water consumption per cycle	73L
Water rating	4.5 star (WELS)

Performance	
Auto load sensing	•
Maximum spin speed	1400 rpm
Number of spin speeds	5
SmartDrive™ technology	•
Steam Care	•
Vortex wash	•

Wool •

SKU 92288

Features

- Add a garment (immediate door opening) •
- Anti-fungal door gasket •
- Auto out of balance correction •
- Automatic water level •
- Child/Keylock •
- Delay start •
- Excess foam detection •
- Extra Rinse •
- Flood protection •
- Interior light •
- Pre Wash •
- Progress indicator •
- Rinse + •
- SmartTouch™ control dial •
- Spin speeds **5**
- Stainless steel drum •
- Time to go •
- Timed liquid detergent dispenser •
- Wash + •
- Water supply **Cold**
- Water temperature controls **5**
- Woolmark certified •
- Wrinkle Free •

Product dimensions

Depth	655 mm
Height	850 mm
Width	600 mm

Wash Cycles

- Bulky •
- Cottons •
- Customise cycle •
- Delicate •
- Drum Clean •
- Everyday •
- Heavy •
- Number of wash cycles **13**
- Quick •
- Quick 30 •
- Rinse •
- Sanitise •
- Spin •
- Steam Refresh •
- Super Quick •

The product dimensions and specifications in this page apply to the specific product and model. Under our policy of continuous improvement, these dimensions and specifications may change at any time. You should therefore check with Fisher & Paykel's Customer Care Centre to ensure this page correctly describes the model currently available. © Fisher & Paykel Appliances Ltd 2020

Other product downloads available at fisherpaykel.com

- [↓ Energy Label](#)
- [↓ Installation Guide \(English\)](#)
- [↓ User Guide \(English\)](#)

Where applicable:

All appliances use energy, and energy usage typically generates carbon emissions. **Fisher & Paykel Appliances' In-use Energy Carbon Emissions Estimate** indicates carbon emissions from a product's in-use energy. This is calculated either annually or per cycle, using the product's market-specific energy label energy consumption data multiplied by the carbon emissions factor for energy in your country or region.

Our In-use Energy Carbon Emissions Estimate is designed to assist customers in making informed purchasing decisions when comparing different Fisher & Paykel products. For example, a heat pump dryer typically has a lower In-use Energy Carbon Emissions Estimate than a vented dryer.



A PEACE OF MIND SALE

24 Hours 7 Days a Week Customer Support

T 1300 650 590 W www.fisherpaykel.com