

Oven, 24", 9 Function, Self-cleaning

Series 7 | Minimal

Black Glass

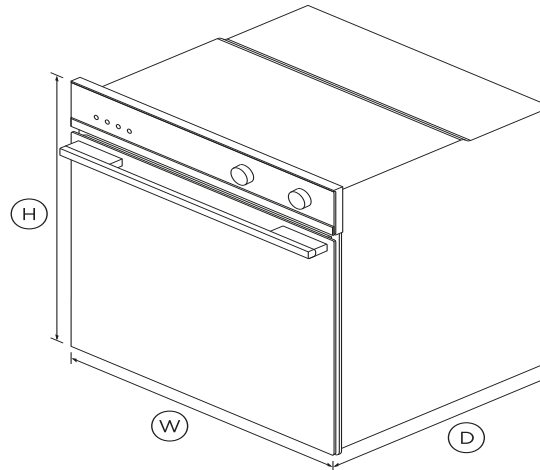


With a subtle black glass finish, this Minimal style oven has multiple functions to ensure every dish is cooked to perfection.

- Three cubic feet total capacity with nine oven functions including Aero™ Pastry and Roast
- Self-cleaning function breaks down food residue for an easy clean
- Moisture control and even heat distribution thanks to ActiveVent™ and AeroTech technology
- Optional non-tip, full-extension sliding shelves for safe removal of hot dishes

DIMENSIONS

Height	23 9/16"
Width	23 1/2"
Depth	22 1/4"



FEATURES & BENEFITS

Generous Capacity

With a generous sized internal cavity, you can create several dishes at once using multiple shelves.

Perfect Results

Our built-in ovens feature ActiveVent technology for optimized moisture levels, and AeroTech™ for even heat distribution. Get perfect results even when you're using multiple shelves.

MULTI-FUNCTION FLEXIBILITY

Nine functions including Aero™ Pastry, Roast and Aero™ Bake mean no matter what you're cooking, you've got the right heat to match.

Seamless Fit

Designed to fit seamlessly in your kitchen, this built-in oven fits flush with cabinetry to minimize gaps and add to a cohesive aesthetic.

CLEANING IS SIMPLE

The self-clean function breaks down food residue at a very high temperature, leaving a light ash that's easily removed with a damp cloth.

The Beauty Of Choice

With the choice of stylish stainless steel or elegant black, you can choose the finish that complements your kitchen design best.

Safe And Sound

The CoolTouch door features triple glazing and a cooling system that ensures it's safe to touch from the outside - protecting both your hands and the surrounding cabinetry.

SPECIFICATIONS

Accessories

Grill pan	1
Step down wire shelf	1
Wired temperature sensor	1

Accessories (sold separately)

Optional round handle	Part 81645
-----------------------	------------

Capacity

Shelf positions	6
Total capacity	3cu ft

Usable capacity **2.5cu ft**

Cleaning

- Acid resistant graphite enamel •
- Pyrolytic self-clean •
- Removable oven door •
- Removable oven door inner •
- Removable shelf runners •

Controls

- Audio feedback •
- Automatic cooking/minute •
- Automatic pre-set •
- Celsius/Fahrenheit •
- Electronic capacitive touch •
- Electronic clock •
- Electronic oven control •
- Intuitive touchscreen display •
- Soft close doors •

Functions

- Aero Bake •
- Aero Broil •
- Aero Pastry •
- Bake •
- Broil •
- Maxi Broil •
- Number of functions **9**
- Rapid proof •
- Roast •

- Self-clean •
- True Aero •
- Vent bake •
- Warm •

Performance

- ActiveVent™ system •
- AeroTech™ technology •
- Automatic rapid pre-heat •
- Broil power **3000W**
- Whisper quiet cooking •

Power requirements

- Amperage **16.6-19.4A**
- Supply frequency **60Hz**
- Supply voltage **208-240V**

Product dimensions

- Depth **22 1/4"**
- Height **23 9/16"**
- Width **23 1/2"**

Safety

- ADA compliant •
- Balanced oven door •
- Catalytic venting system •
- Control panel key lock •
- Non-tip shelves •

SKU **81885**

The product dimensions and specifications in this page apply to the specific product and model. Under our policy of continuous improvement, these dimensions and specifications may change at any time. You should therefore check with Fisher & Paykel's Customer Care Centre to ensure this page correctly describes the model currently available. Fisher & Paykel Appliances Ltd 2020

Where applicable:

All appliances use energy, and energy usage typically generates carbon emissions. **Fisher & Paykel Appliances' In-use Energy Carbon Emissions Estimate** indicates carbon emissions from a product's in-use energy. This is calculated either annually or per cycle, using the product's market-specific energy label energy consumption data multiplied by the carbon emissions factor for energy in your country or region.

Our In-use Energy Carbon Emissions Estimate is designed to assist customers in making informed purchasing decisions when comparing different Fisher & Paykel products. For example, a heat pump dryer typically has a lower In-use Energy Carbon Emissions Estimate than a vented dryer.

Other product downloads available at fisherpaykel.com



User Guide



Service & Warranty



Data Sheet Oven



A PEACE OF MIND SALE

24 Hours 7 Days a Week Customer Support

T 1.888.936.7872 **W**www.fisherpaykel.com