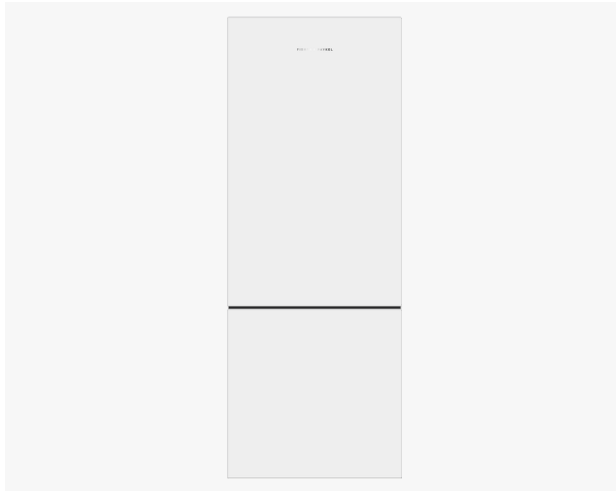


Freestanding Refrigerator Freezer, 63.5cm, 364L

Series 5 | Contemporary

White | Right Hinge

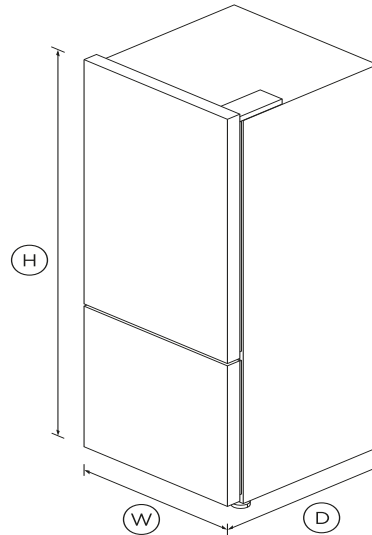


Compact and stylish in white stainless steel with concealed handles, complementing any kitchen design.

- ActiveSmart™ technology helps keep food fresher for longer by constantly maintaining the ideal temperature
- Top freezer for access to frozen goods without bending

DIMENSIONS

Height	1720mm
Width	635mm
Depth	695mm



FEATURES & BENEFITS

ACTIVESMART™ FOODCARE

ActiveSmart™ Foodcare learns how you live. It's technology which understands how you use your refrigerator and adjusts temperature, airflow and humidity inside to help keep food fresher for longer.

EASY CLEANING

Spill-safe secure glass shelves easily capture any drips or leaks and prevent them from falling on items below.

DESIGN QUALITY

Our refrigerators are designed and built using quality materials. We use real stainless steel, and solid glass for shelving as well as in our wine cabinet doors.

SIMPLE STORAGE

This refrigerator is designed to make it simple for you to store, access and remove food. Storage bins give you full access inside when they're pulled open and can be easily removed to clean. Our flexible shelving also gives you more storage options.

CLEVER ENERGY

Your refrigerator adapts to daily use by cooling and defrosting only when needed. This means it uses the energy it needs without compromising on food care.

SPECIFICATIONS

Capacity

Total net volume	363L
------------------	------

Consumption

Energy rating	2 ticks
Energy usage	460kWh/year

Features

Adjustable half width door	2
Covered door shelves	2
Door alarm	•
Front levelling feet	•
Fruit and vegetable bins	2
Full extension runners	•
LED lighting	•
Rear rollers	•

SmartTouch control panel	•
Stackable bottle holders	2

SKU 26192

The product dimensions and specifications in this page apply to the specific product and model. Under our policy of continuous improvement, these dimensions and specifications may change at any time. You should therefore check with Fisher & Paykel's Customer Care Centre to ensure this page correctly describes the model currently available. © Fisher & Paykel Appliances Ltd 2020

Freezer Features

Bottle chill	•
Door alarm	•
Fast freeze	•
Freezer bins	2
Slide Out Pastry Tray	•

Performance

ActiveSmart™ Foodcare	•
Automatic defrost	•
Frost free	•
Humidity control system	•
R600a refrigerant	•
Sabbath mode	•

Product dimensions

Depth	695mm
Height	1720mm
Height to top of cabinet	1698mm
Height to top of door	1720mm
Width	635mm

Warranty

Parts and labour	2 years
Sealed system parts only	5 years

Other product downloads available at fisherpaykel.com

- [↓](#) User Guide
- [↓](#) Service & Warranty
- [↓](#) Data Sheet Freestanding Refrigerator Freezer



A PEACE OF MIND SALE

24 Hours 7 Days a Week Customer Support

T +65 6741 0777 **W**www.fisherpaykel.com