

# Oven, 60cm, 7 Function

Series 5 | Contemporary

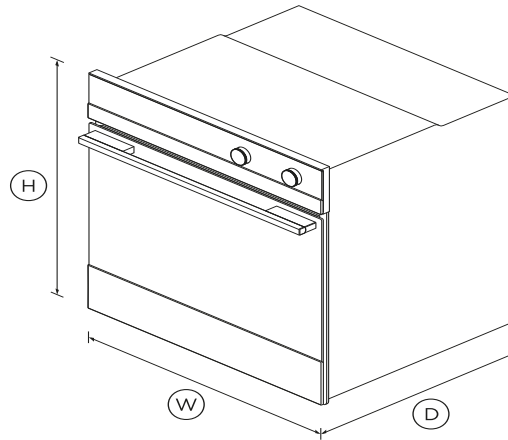
Stainless Steel



With contemporary styling and clean lines in glass and steel, this built-in oven complements the style and elegance of any modern kitchen.

## DIMENSIONS

<b>Height</b>	<b>598mm</b>
<b>Width</b>	<b>597mm</b>
<b>Depth</b>	<b>565mm</b>



## SPECIFICATIONS

### Accessories

Catalytic panels	•
Grill rack	<b>1 set</b>
Roasting dish	<b>1</b>

### Accessories (sold separately)

Handle kit Contemporary	<b>Part 81645</b>
-------------------------	-------------------

## Capacity

Shelf positions	<b>6</b>
Total capacity	<b>85L</b>
Usable capacity	<b>72L</b>

## Cleaning

- Acid resistant graphite enamel
- Drop down grill element
- Removable oven door inner
- Removable shelf runners

## Controls

- Automatic cooking/minute
- Electronic clock

## Functions

- Bake
- Classic bake
- Fan bake
- Fan forced
- Fan grill
- Grill
- Number of functions **7**
- Pastry Bake

## Performance

- AeroTech™ technology
- Grill power **3000W**
- Whisper quiet cooking

---

**Power requirements**Amperage **15A**

---

**Product dimensions**Depth **565mm**Height **598mm**Width **597mm**

---

**Safety**

Balanced oven door •

CoolTouch door •

Non-tip shelves •

---

**Warranty**Parts and labour **2 years**

---

SKU **81491**

---

---

**Other product downloads available at fisherpaykel.com**[User Guide](#)[Service & Warranty](#)[Installation Guide Built-In Oven](#)[Installation Guide](#)[Data Sheet Oven](#)**A PEACE OF MIND SALE****24 Hours 7 Days a Week Customer Support****T 1300 650 590 W [www.fisherpaykel.com](http://www.fisherpaykel.com)**

The product dimensions and specifications in this page apply to the specific product and model. Under our policy of continuous improvement, these dimensions and specifications may change at any time. You should therefore check with Fisher & Paykel's Customer Care Centre to ensure this page correctly describes the model currently available. ? Fisher & Paykel Appliances Ltd 2020