

Oven, 60cm, 7 Function, Self-cleaning

Series 5 | Contemporary

Stainless Steel

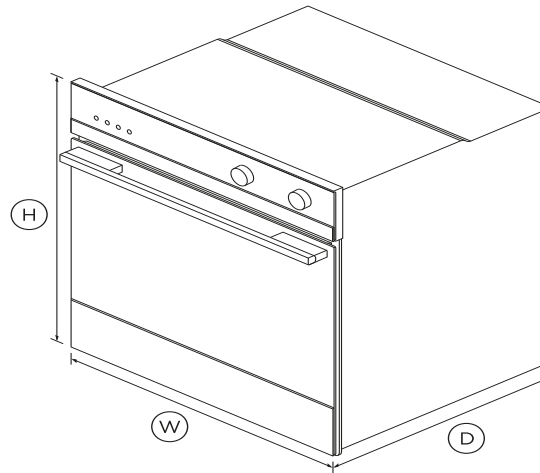


With generous capacity and beautiful contemporary styling, this built-in oven will complement your kitchen design perfectly.

- 85L total capacity
- Seven oven functions including Pizza Bake
- Pyrolytic self-cleaning function breaks down food residue for an easy clean

DIMENSIONS

| | |
|--------|-------|
| Height | 598mm |
| Width | 596mm |
| Depth | 565mm |



FEATURES & BENEFITS

MULTI-FUNCTION FLEXIBILITY

This built-in oven has seven functions with pre-set temperatures, including Bake, Fan Bake and Pizza Bake, allowing you to use a variety of cooking styles.

GENEROUS CAPACITY

With a generous sized internal cavity of 85L total capacity, you can create several dishes at once using multiple shelves.

CONSISTENTLY HOT

Ideal for multi-shelf cooking, this built-in oven features AeroTech™ - a technology that circulates heat evenly.

PYROLYTIC SELF-CLEANING

Pyrolytic self-clean breaks down food residue at a very high temperature, leaving a light ash that's easily removed with a damp cloth.

REFINED STYLING

With sophisticated handle styling and black glass finish, our built-in ovens are designed to match the rest of Fisher & Paykel's kitchen appliance family.

SAFE AND SOUND

The CoolTouch door of this built-in oven is safe to touch from the outside. Sturdy, fully extendable shelves slide all the way out, reducing the need for you to reach inside.

SPECIFICATIONS

Accessories

| | |
|--------------------------------|------------------------|
| Chromed shelf runners | • |
| Full extension sliding shelves | Optional (part 565048) |
| Full extension telescopic | Optional (part 565048) |
| Optional Accessory round | Part 81645 |
| Optional round handle | Part 81645 |
| Roasting dish | 1 |
| Step down wire shelf | 1 |
| Telescopic sliding runners | 1 set |

Capacity

| | |
|-----------------|-----|
| Shelf positions | 6 |
| Total gross | 85L |

Cleaning

- Acid resistant graphite enamel
- Pyrolytic self-clean
- Removable oven door
- Removable oven door inner
- Removable shelf runners

Controls

- Audio feedback
- Automatic cooking/minute
- Automatic pre-set
- Celsius/Fahrenheit
- Electronic clock
- Electronic oven control
- Precise electronic temperature
- Sabbath mode
- Turned stainless dials with

Functions

- Bake
- Fan bake
- Fan forced
- Fan grill
- Grill
- Number of functions **7**
- Pastry Bake with Pizza mode
- Pizza bake
- Pyrolytic self-clean

Performance

- AeroTech™ technology

- Automatic rapid pre-heat
- Grill power **3000W**
- Whisper quiet cooking

Power requirements

- Amperage **12.8 - 13.8A**
- Supply frequency **50Hz**
- Supply voltage **220 - 240V**

Product dimensions

- Depth **565mm**
- Height **598mm**
- Width **596mm**

Safety

- Advanced cooling system
- Balanced oven door
- Catalytic venting system
- Control panel key lock
- CoolTouch door
- Non-tip shelves

SKU **81741**

The product dimensions and specifications in this page apply to the specific product and model. Under our policy of continuous improvement, these dimensions and specifications may change at any time. You should therefore check with Fisher & Paykel's Customer Care Centre to ensure this page correctly describes the model currently available. ? Fisher & Paykel Appliances Ltd 2020

Other product downloads available at fisherpaykel.com

- [↓](#) User Guide
- [↓](#) Service & Warranty
- [↓](#) Installation Guide
- [↓](#) Data Sheet Oven



A PEACE OF MIND SALE

24 Hours 7 Days a Week Customer Support

T 0800 372 273 W www.fisherpaykel.com